

# TC ROUTER 3002T-4G VZW - Router



2702532

<https://www.phoenixcontact.com/us/products/2702532>

Please be informed that the data shown in this PDF document is generated from our online catalog. Please find the complete data in the user documentation. Our general terms of use for downloads are valid.



Industrial LTE 4G router, version for Verizon wireless (US), 2 Ethernet interfaces, firewall, NAT, IPsec and OpenVPN support, 2x SMA-F antenna socket, SMS and e-mail transmission, 2 digital inputs, 1 digital output

## Product description

The **TC ROUTER** for cellular communication implements high-performance, high-speed data links of up to 150 Mbps via mobile 4G LTE networks. This enables you to establish a mobile broadband connection for highly flexible site networking even in places where a wired Internet connection is not available. These connections can be used to transmit sensitive data securely over cellular networks. Furthermore, the **TC ROUTER** offers a high level of security thanks to IPsec or OpenVPN tunnels, as well as an integrated stateful packet inspection firewall. This means that you can reliably protect your application against unauthorized access.

## Your advantages

- Industrial 4G cellular router (LTE)
- Cellular high-speed Internet connection up to 150 Mbps
- Networking of Ethernet end devices via the cellular network
- Ethernet SMS gateway for easy alerting
- Stateful inspection firewall for dynamic filtering
- NAT table and port forwarding for direct remote access to an end device
- Two switching inputs and one switching output
- Configuration via web-based management or microSD card
- 2 local Ethernet connections
- Switchable energy-saving mode
- Integrated logbook
- Connection monitoring
- Extended temperature range of -40 °C ... +70 °C

## Commercial data

Item number	2702532
Packing unit	1 pc
Minimum order quantity	1 pc
Sales key	DN25
Product key	DNC422
Catalog page	Page 413 (C-6-2019)
GTIN	4055626212852
Weight per piece (including packing)	266 g

# TC ROUTER 3002T-4G VZW - Router



2702532

<https://www.phoenixcontact.com/us/products/2702532>

Weight per piece (excluding packing)	266 g
Customs tariff number	85176200
Country of origin	DE

## Technical data

### Notes

#### Utilization restriction

CCCex note	Use in potentially explosive areas is not permitted in China.
------------	---

### Product properties

Product type	Cellular router
Application	Ethernet
MTTF	383 Years (SN 29500 standard, temperature 25°C, operating cycle 21%)
	184 Years (SN 29500 standard, temperature 40°C, operating cycle 34.25%)
	78 Years (SN 29500 standard, temperature 40°C, operating cycle 100%)

#### Insulation characteristics

Pollution degree	2
------------------	---

### Electrical properties

Electrical isolation	VCC // LTE // Ethernet // PE
Maximum power dissipation for nominal condition	4.8 W
Mains type	Cellular communication

#### Supply

Supply voltage range	10 V DC ... 30 V DC (SELV, via pluggable Push-in terminal block)
Typical current consumption	< 200 mA (24 V DC)
	65 mA (With activated energy-saving mode)
Max. current consumption	1.7 A
Connection method	Push-in spring connection

#### Function

Management	Web-based management, SNMP
------------	----------------------------

### Input data

#### Digital

Description of the input	Digital input
Number of inputs	2
Voltage input signal	10 V DC ... 30 V DC
Switching level "1" signal	10 V DC ... 30 V DC

### Output data

#### Signal

Output name	Digital output
-------------	----------------

# TC ROUTER 3002T-4G VZW - Router



2702532

<https://www.phoenixcontact.com/us/products/2702532>

Number of outputs	1
Voltage output signal	10 V DC ... 30 V DC (depending on the operating voltage)
Current output signal	≤ 50 mA (Not short-circuit proof)

## Connection data

### Supply

Connection method	Push-in spring connection
Conductor cross section flexible, with ferrule without plastic sleeve	0.25 mm <sup>2</sup> ... 1.5 mm <sup>2</sup>
Conductor cross section, flexible, with ferrule, with plastic sleeve	0.25 mm <sup>2</sup> ... 0.75 mm <sup>2</sup>
Conductor cross section, flexible	0.14 mm <sup>2</sup> ... 1.50 mm <sup>2</sup>
Conductor cross section, rigid	0.14 mm <sup>2</sup> ... 1.50 mm <sup>2</sup>
Conductor cross section AWG	26 ... 16
Stripping length	9 mm

## Interfaces

Web server	yes
------------	-----

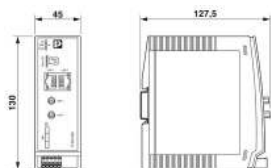
Data: Ethernet interface, 10/100Base-T(X) in accordance with IEEE 802.3

Serial transmission speed	10/100 Mbps, auto negotiation
Connection method	RJ45 jack, shielded
No. of channels	2 (SELV)
Transmission length	100 m (shielded twisted pair)
Protocols supported	TCP/IP, UDP/IP, FTP, HTTP(S)
Auxiliary protocols	ARP, DHCP, PING (ICMP), SNMP V1/V2, SMTP(S), NTP, SSL/TLS, STARTTLS

### Wireless

Interface description	LTE (FDD)
Frequency range	700 MHz (LTE B13) 1700 MHz (LTE B4)
Data rate	≤ 150 Mbps (LTE, DL) ≤ 50 Mbps (LTE, UL)
Antenna	50 Ω impedance SMA antenna socket
Antenna connection method	SMA (female)
SIM Interface	1.8 volt, 3 volt
LTE	CAT4
Country support	USA

## Dimensions

Dimensional drawing	
---------------------	--

# TC ROUTER 3002T-4G VZW - Router



2702532

<https://www.phoenixcontact.com/us/products/2702532>

Width	45 mm
Height	130 mm
Depth	126 mm

## Material specifications

Material	Plastic
----------	---------

## Environmental and real-life conditions

### Ambient conditions

Degree of protection	IP20 (Manufacturer's declaration)
Ambient temperature (operation)	-40 °C ... 70 °C (Maximum transmission power 5 dBm) -40 °C ... 60 °C (Maximum transmission power 23 dBm)
Ambient temperature (storage/transport)	-40 °C ... 85 °C
Altitude	≤ 5000 m (For restrictions, see the manufacturer's declaration for altitude operation)
Permissible humidity (operation)	10 % ... 95 % (non-condensing)
Permissible humidity (storage/transport)	10 % ... 95 % (non-condensing)

## Approvals

### UL, USA/Canada

Identification	Class I, Zone 2, AEx nA IIC T4 / Ex nA IIC T4 Gc Class I, Div. 2, Groups A, B, C, D T4
----------------	---

### Corrosive gas test

Identification	ISA-S71.04-1985 G3 Harsh Group A
----------------	----------------------------------

### Wireless approval USA, FCC

Certificate	N7NHL7518
-------------	-----------

## EMC data

Noise immunity	EN 61000-6-2
Electromagnetic compatibility	Conformance with RED Directive 2014/53/EU

### Electrostatic discharge

Standards/regulations	EN 61000-4-2
-----------------------	--------------

### Electrostatic discharge

Contact discharge	± 6 kV (Test Level 3)
Discharge in air	± 8 kV (Test Level 3)
Comments	Criterion B

### Electromagnetic HF field

Standards/regulations	EN 61000-4-3
-----------------------	--------------

### Electromagnetic HF field

Frequency range	80 MHz ... 3 GHz (Test Level 3)
Field intensity	10 V/m

# TC ROUTER 3002T-4G VZW - Router



2702532

<https://www.phoenixcontact.com/us/products/2702532>

Comments	Criterion A
Fast transients (burst)	
Standards/regulations	EN 61000-4-4
Fast transients (burst)	
Input	± 2 kV (Test Level 3)
Signal	± 2 kV (Ethernet)
Comments	Criterion B
Surge current load (surge)	
Standards/regulations	EN 61000-4-5
Surge current load (surge)	
Input	± 0.5 kV (symmetrical) ± 1 kV (asymmetrical)
Signal	± 1 kV (Data line, asymmetrical)
Comments	Criterion B
Conducted interference	
Standards/regulations	EN 61000-4-6
Conducted interference	
Frequency range	0.15 MHz ... 80 MHz
Comments	Criterion A
Voltage	10 V
Emitted interference	
Radio interference voltage in acc. with EN 55011	Class B, area of application: Industry and residential
Emitted radio interference in acc. with EN 55011	Class B, area of application: Industry and residential
Criteria	
Criterion A	Normal operating behavior within the specified limits.
Criterion B	Temporary impairment to operational behavior that is corrected by the device itself.

## Mounting

Mounting type	DIN rail mounting
---------------	-------------------

# TC ROUTER 3002T-4G VZW - Router

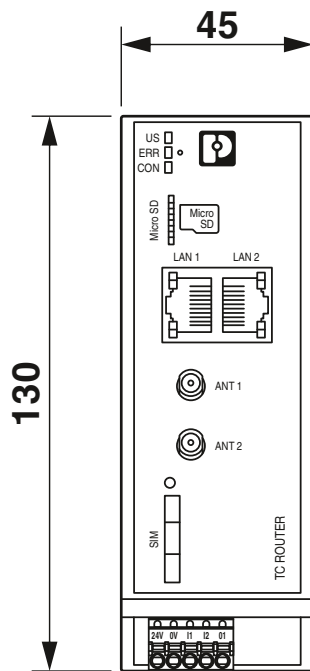


2702532

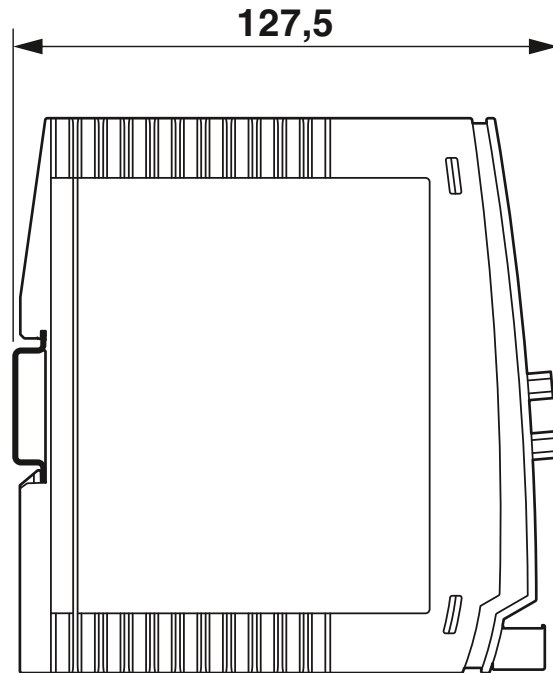
<https://www.phoenixcontact.com/us/products/2702532>

## Drawings

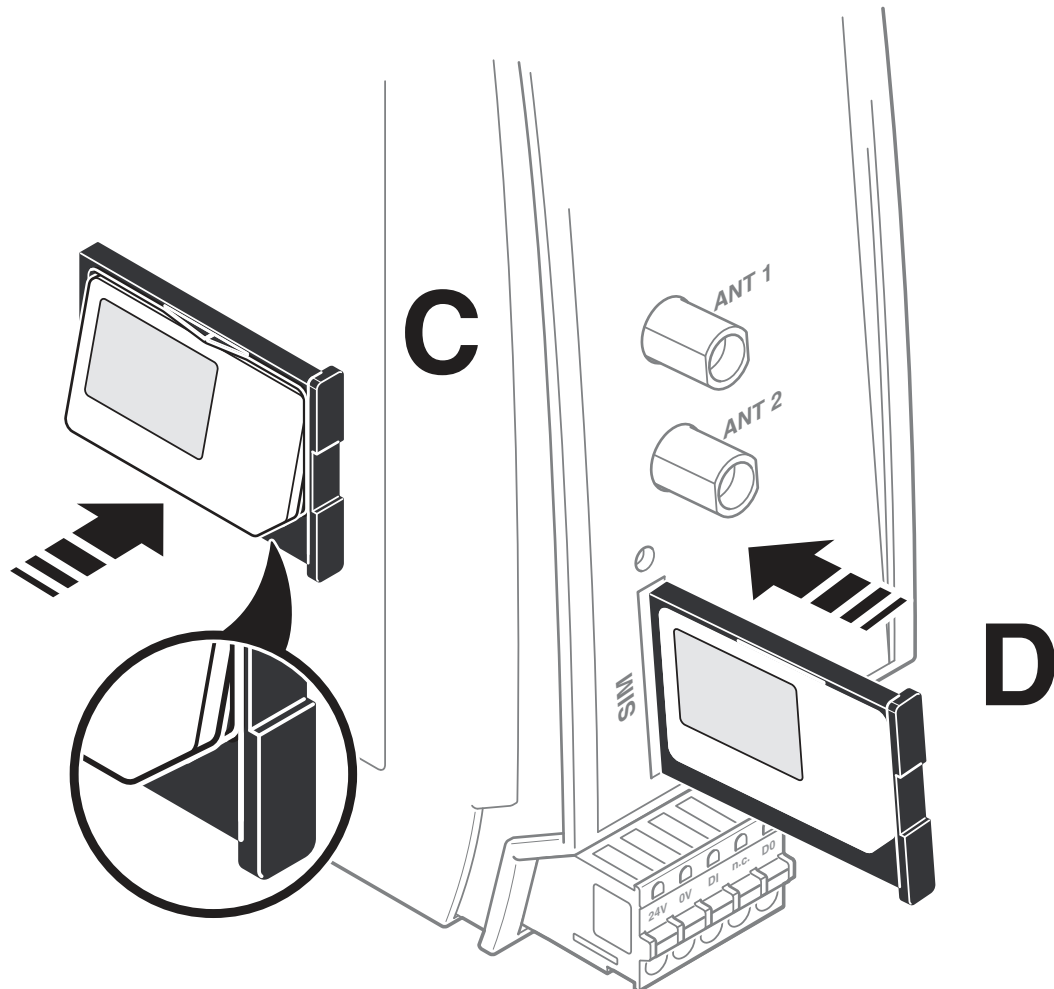
Dimensional drawing



Housing dimensions



## Schematic diagram



Insert the SIM card

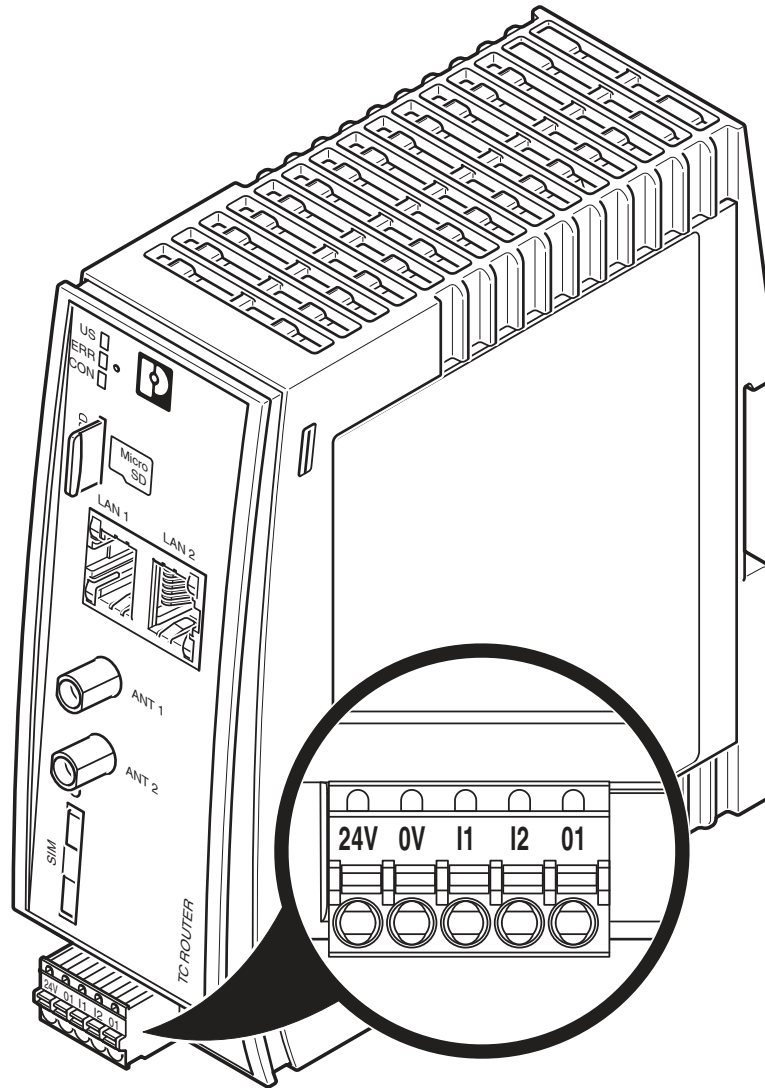


# TC ROUTER 3002T-4G VZW - Router

2702532

<https://www.phoenixcontact.com/us/products/2702532>

Schematic diagram



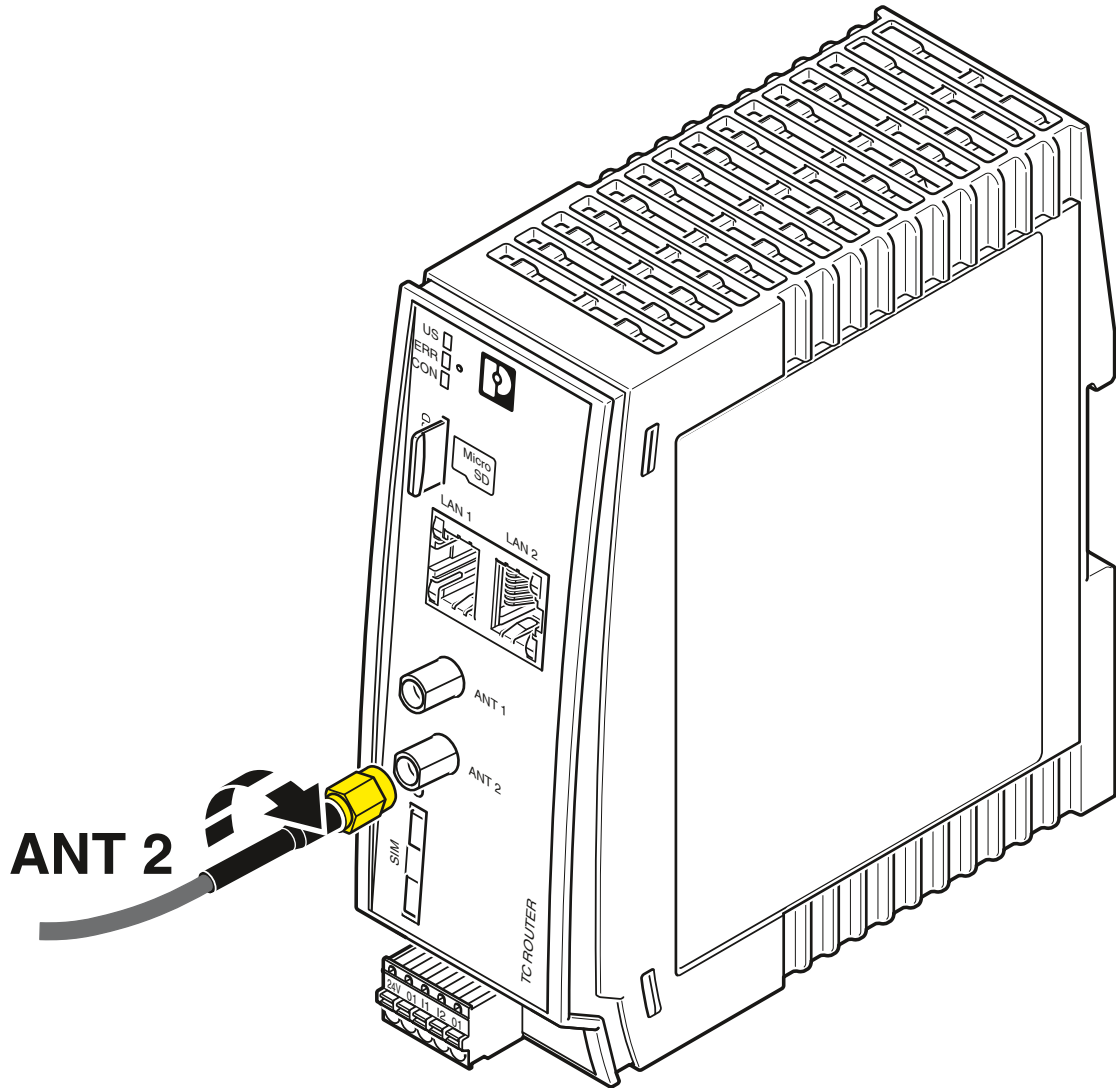
Device connections

# TC ROUTER 3002T-4G VZW - Router

2702532

<https://www.phoenixcontact.com/us/products/2702532>

Schematic diagram



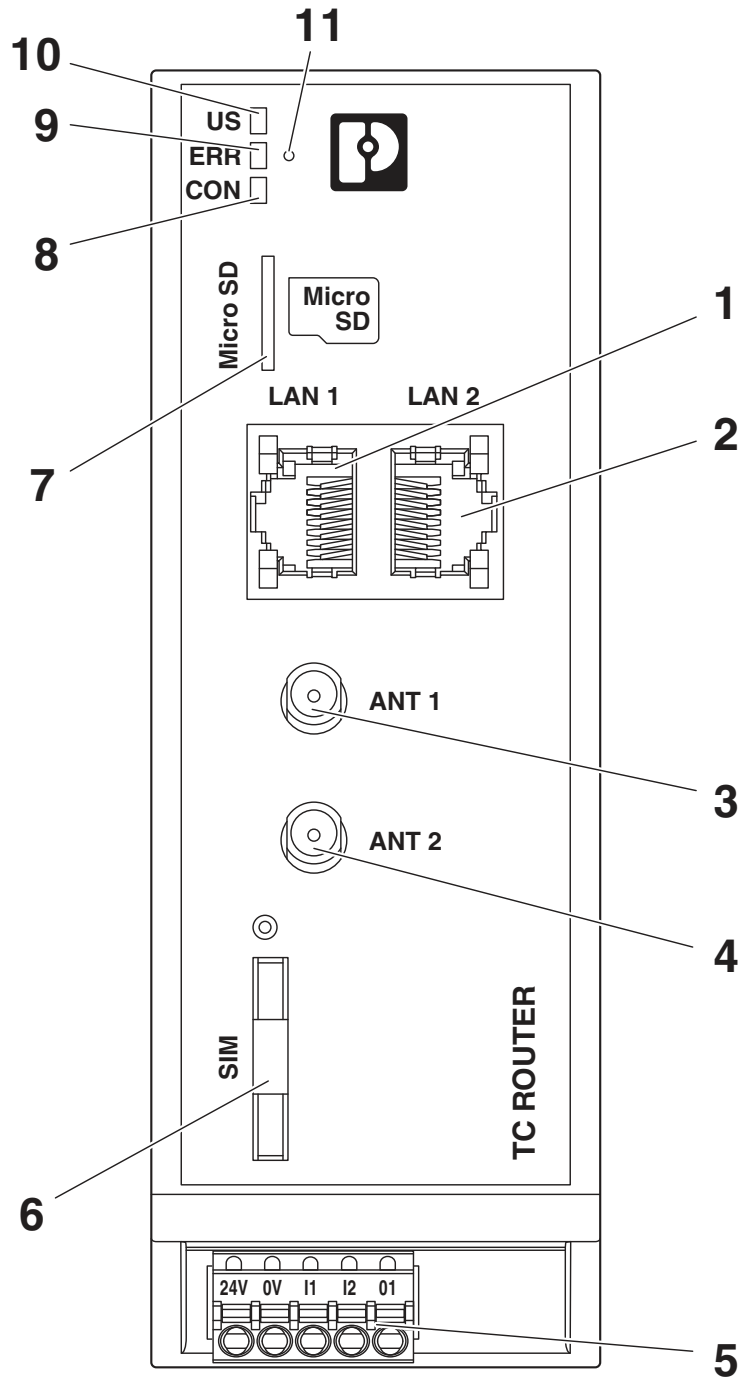
Connect the antenna

# TC ROUTER 3002T-4G VZW - Router

2702532

<https://www.phoenixcontact.com/us/products/2702532>

Schematic diagram



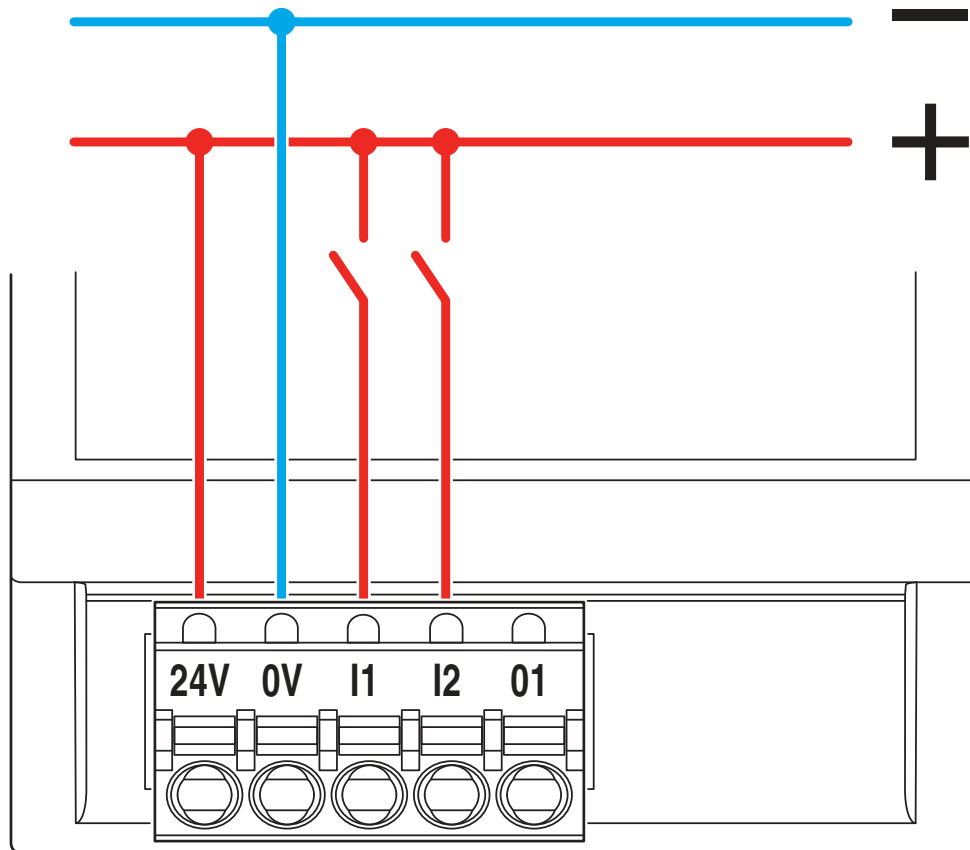
Front view

# TC ROUTER 3002T-4G VZW - Router

2702532

<https://www.phoenixcontact.com/us/products/2702532>

Connection diagram

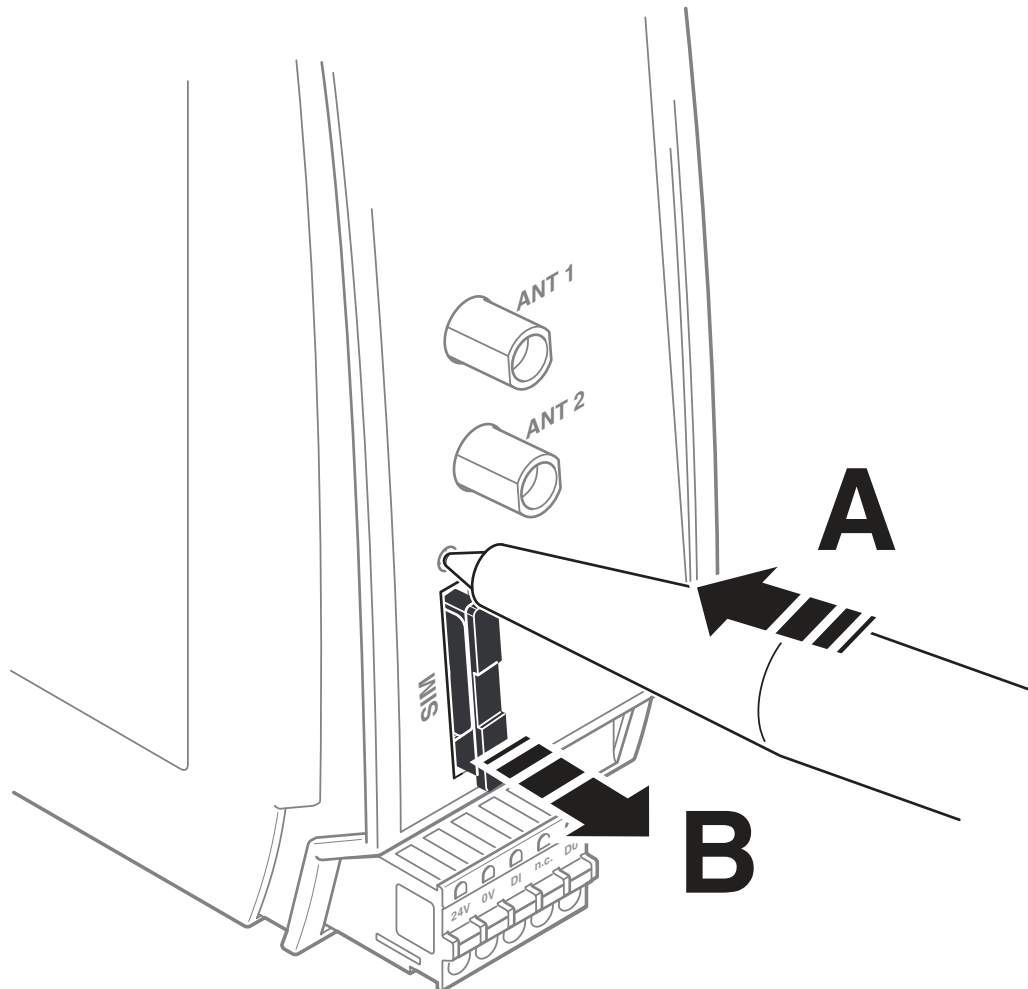


Switching inputs

2702532

<https://www.phoenixcontact.com/us/products/2702532>

## Schematic diagram

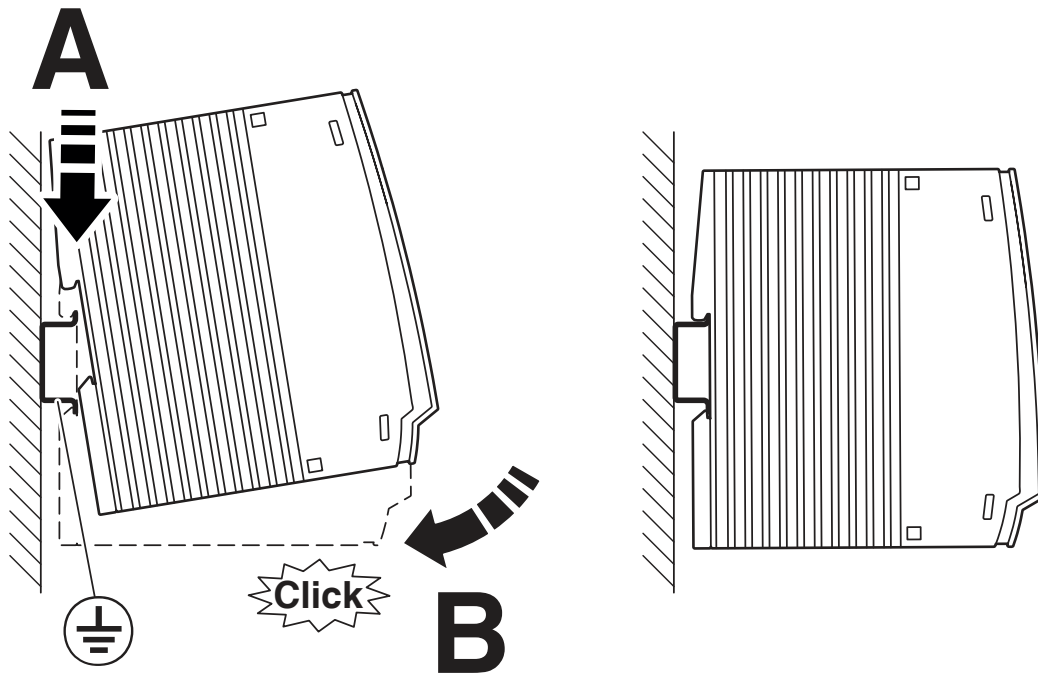


Remove SIM card holder

2702532

<https://www.phoenixcontact.com/us/products/2702532>

Schematic diagram



Mounting

# TC ROUTER 3002T-4G VZW - Router



2702532

<https://www.phoenixcontact.com/us/products/2702532>

## Approvals

🔗 To download certificates, visit the product detail page: <https://www.phoenixcontact.com/us/products/2702532>



**cULus Listed**

Approval ID: FILE E 238705



**cUL Listed**

Approval ID: FILE E 366272



**UL Listed**

Approval ID: FILE E 366272

**cULus Listed**

# TC ROUTER 3002T-4G VZW - Router



2702532

<https://www.phoenixcontact.com/us/products/2702532>

## Classifications

### ECLASS

ECLASS-11.0	19170502
ECLASS-12.0	19170502
ECLASS-13.0	19170502

### ETIM

ETIM 8.0	EC001478
----------	----------

### UNSPSC

UNSPSC 21.0	43222600
-------------	----------



# TC ROUTER 3002T-4G VZW - Router



2702532

<https://www.phoenixcontact.com/us/products/2702532>

## Environmental product compliance

China RoHS	Environmentally Friendly Use Period = 50 years For information on hazardous substances, refer to the manufacturer's declaration available under "Downloads"
------------	--

# TC ROUTER 3002T-4G VZW - Router



2702532

<https://www.phoenixcontact.com/us/products/2702532>

## Accessories

### TRIO-PS-2G/1AC/24DC/3/C2LPS - Power supply unit

2903147

<https://www.phoenixcontact.com/us/products/2903147>



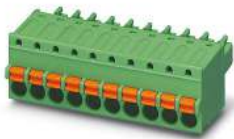
Primary-switched TRIO POWER power supply with push-in connection for DIN rail mounting, input: 1-phase, output: 24 V DC/3 A C2LPS

---

### FK-MCP 1,5/ 5-ST-3,81GY35BD-01 - PCB connector

1105115

<https://www.phoenixcontact.com/us/products/1105115>



PCB connector, nominal cross section: 1.5 mm<sup>2</sup>, color: light grey, nominal current: 8 A, rated voltage (III/2): 160 V, contact surface: Tin, contact connection type: Socket, number of rows: 1, number of positions: 5, product range: FK-MCP 1,5/..-ST, pitch: 3.81 mm, connection method: Push-in spring connection, conductor/PCB connection direction: 0 °, plug-in system: COMBICON MC 1,5, locking: without, mounting: without, type of packaging: packed in cardboard

## TC ROUTER 3002T-4G VZW - Router

2702532

<https://www.phoenixcontact.com/us/products/2702532>



## MGUARD SECURE VPN CLIENT LIC - License

2702579

<https://www.phoenixcontact.com/us/products/2702579>



License for mGuard Secure VPN Client v11.x

---

## TC ANT MOBILE WALL 5M - Antenna

2702273

<https://www.phoenixcontact.com/us/products/2702273>



Multiband omnidirectional antenna for wall or mast mounting, 0.6 GHz ... 6 GHz, gain: 3 dBi ... 7 dBi, degree of protection: IP66, connection: SMA (male), incl. 5 m connecting cable, mounting bracket, and mast clamps

# TC ROUTER 3002T-4G VZW - Router

2702532

<https://www.phoenixcontact.com/us/products/2702532>

## ANT-OMNI-0671-01 - Antenna

1396316

<https://www.phoenixcontact.com/us/products/1396316>



Multiband omnidirectional antenna for wall or mast mounting, 0.6 GHz ... 7.1 GHz, gain: 1 dBi ... 3 dBi, degree of protection: IP67, seawater-resistant, connection: N (female), incl. mounting bracket and mast clamps

---

## ANT-OMNI-0671-02 - Antenna

1396318

<https://www.phoenixcontact.com/us/products/1396318>



Multiband omnidirectional antenna with protection against vandalism for control cabinet mounting, frequency band: 0.6 GHz ... 7.1 GHz, gain: 2 dBi ... 4 dBi, degree of protection: IP67, shockproof: IK10, seawater-resistant, connection: N (female)

# TC ROUTER 3002T-4G VZW - Router

2702532

<https://www.phoenixcontact.com/us/products/2702532>

## ANT-OMNI-0671-03 - Antenna

1565400

<https://www.phoenixcontact.com/us/products/1565400>



Multiband omnidirectional antenna for installation in plastic control cabinets not visible from the outside, frequency band: 0.6 GHz ... 7.1 GHz, gain: 1 dBi .... 2 dBi, connection: SMA (male), antenna connector with 90° articulated joint

---

## NBC-COX-CNM/0.5-S/COX-CKM - Coaxial cable

1340139

<https://www.phoenixcontact.com/us/products/1340139>



Coaxial cable, 50  $\Omega$ , length: 0.5 m, N(m) - SMA(m), external cable diameter: 2.8 mm, transmission frequency:  $\leq 7.25$  GHz, typical attenuation: 800 MHz 0.4 dB, 2.4 GHz 0.7 dB, 5.8 GHz 1.1 dB, 7.25 GHz 1.5 dB

# TC ROUTER 3002T-4G VZW - Router

2702532

<https://www.phoenixcontact.com/us/products/2702532>

## NBC-COX-CNM/1.0-M/COX-CKM - Coaxial cable

1340143

<https://www.phoenixcontact.com/us/products/1340143>



Coaxial cable, 50  $\Omega$ , length: 1 m, N(m) - SMA(m), external cable diameter: 4.9 mm, transmission frequency:  $\leq 7.25$  GHz, typical attenuation: 800 MHz 0.5 dB, 2.4 GHz 0.8 dB, 5.8 GHz 1.2 dB, 7.25 GHz 1.4 dB

---

## NBC-COX-CNM/3.0-M/COX-CKM - Coaxial cable

1340144

<https://www.phoenixcontact.com/us/products/1340144>



Coaxial cable, 50  $\Omega$ , length: 3 m, N(m) - SMA(m), external cable diameter: 4.9 mm, transmission frequency:  $\leq 7.25$  GHz, typical attenuation: 800 MHz 1.4 dB, 2.4 GHz 2.3 dB, 5.8 GHz 3.6 dB, 7.25 GHz 4.2 dB

# TC ROUTER 3002T-4G VZW - Router



2702532

<https://www.phoenixcontact.com/us/products/2702532>

## NBC-COX-CNM/5.0-M/COX-CKM - Coaxial cable

1340147

<https://www.phoenixcontact.com/us/products/1340147>



Coaxial cable, 50  $\Omega$ , length: 5 m, N(m) - SMA(m), external cable diameter: 4.9 mm, transmission frequency:  $\leq 7.25$  GHz, typical attenuation: 800 MHz 2.3 dB, 2.4 GHz 3.8 dB, 5.8 GHz 6 dB, 7.25 GHz 7.3 dB

---

## RAD-CAB-EF393- 3M - Antenna cable

2867649

<https://www.phoenixcontact.com/us/products/2867649>



Antenna cable, outside diameter: 10 mm (0.4 in.), inner conductor: stranded, attenuation: 1.0 / 1.8 / 3.1 dB at 0.9 / 2.4 / 5.8 GHz, connection: 2 x N (male), cable length: 3 m (10 ft.)

# TC ROUTER 3002T-4G VZW - Router



2702532

<https://www.phoenixcontact.com/us/products/2702532>

## RAD-CAB-EF393- 5M - Antenna cable

2867652

<https://www.phoenixcontact.com/us/products/2867652>



Antenna cable, outside diameter: 10 mm (0.4 in.), inner conductor: stranded, attenuation: 1.6 / 2.9 / 5.0 dB at 0.9 / 2.4 / 5.8 GHz, connection: 2 x N (male), cable length: 5 m (16 ft.)

---

## RAD-CAB-EF393-10M - Antenna cable

2867665

<https://www.phoenixcontact.com/us/products/2867665>



Antenna cable, outside diameter: 10 mm (0.4 in.), inner conductor: stranded, attenuation: 2.9 / 5.6 / 9.9 dB at 0.9 / 2.4 / 5.8 GHz, connection: 2 x N (male), cable length: 10 m (32 ft.)



# TC ROUTER 3002T-4G VZW - Router



2702532

<https://www.phoenixcontact.com/us/products/2702532>

## RAD-CAB-EF393-15M - Antenna cable

2885634

<https://www.phoenixcontact.com/us/products/2885634>

Antenna cable, outside diameter: 10 mm (0.4 in.), inner conductor: stranded, attenuation: 4.3 / 8.3 / 14.8 dB at 0.9 / 2.4 / 5.8 GHz, connection: 2 x N (male), cable length: 15 m (50 ft.)



---

## CN-UB-70DC-6-BB - Surge protection device

2803166

<https://www.phoenixcontact.com/us/products/2803166>

Attachment plug with surge protection for coaxial signal interfaces. Connection: N connector, female/female



# TC ROUTER 3002T-4G VZW - Router

2702532

<https://www.phoenixcontact.com/us/products/2702532>



## RAD-ADP-N/F-N/F - Adapter

2867843

<https://www.phoenixcontact.com/us/products/2867843>

Antenna adapter for control cabinet feed-through, frequency range: 0.3 GHz ...  
6 GHz, degree of protection: IP65, connection: 2 x N (female)



## RAD-TAPE-SV-19-3 - Weather protection tape

2903182

<https://www.phoenixcontact.com/us/products/2903182>

Vulcanizing sealing tape for external protection of adapters, cable connections,  
etc. against the effects of weather, roll length: 3 m



Phoenix Contact 2023 © - all rights reserved  
<https://www.phoenixcontact.com>

Phoenix Contact USA  
586 Fulling Mill Road  
Middletown, PA 17057, United States  
(+717) 944-1300  
[info@phoenixcon.com](mailto:info@phoenixcon.com)