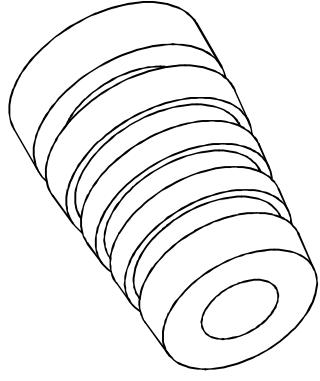
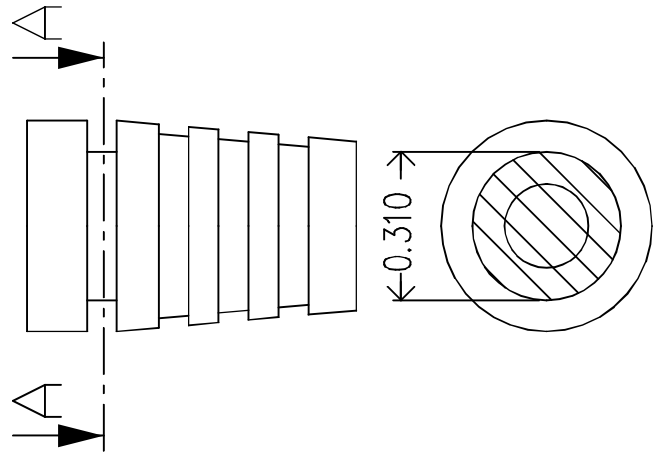
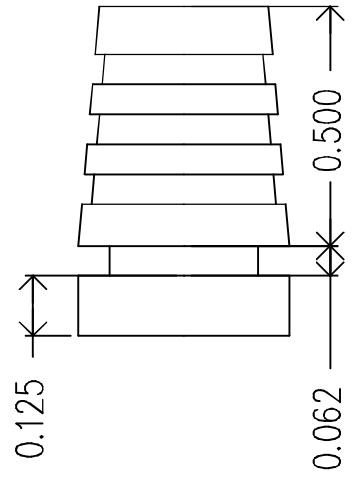
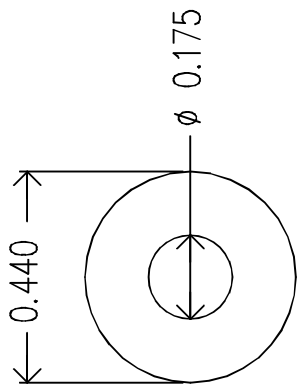


REVISIONS		DATE	APPROVED
ZONE	REV.		



Mold Material: ISC P/N: 5000214, PVC, M1472, Black, RoHS

DRAWN	NAME	DATE	ISC Engineering
R FIERRO	R FIERRO	01/21/10	4351 Schroeder Ave, Chino, CA 91710
CHECKED			Ph: 909-596-3315 Fax: 909-596-3335
ENG APPR.			www.iscengineering.com
MFG APPR.			www.overnoldtooling.com
D.A.			
COMMENTS:			
1461040-175-B-310-440-0			
SIZE DWG. NO. 1460051			
SCALE: 3:1 WEIGHT: SHEET 1 OF 1			

DIMENSIONS ARE IN INCHES	
FRACTIONAL: ±	BEND ±
ANGULAR: MACH ±	±
TWO PLACE DECIMAL ±	±
THREE PLACE DECIMAL ±	±
MATERIAL	---
FINISH	---
USED ON	
APPLICATION	DO NOT SCALE DRAWING

A-A
 Dimensions are subject to change.
 PROPRIETARY AND CONFIDENTIAL
 THE INFORMATION CONTAINED IN THIS DRAWING IS THE SOLE PROPERTY OF ISC ENGINEERING. ANY REPRODUCTION IN PART OR AS A WHOLE WITHOUT THE WRITTEN PERMISSION OF ISC ENGINEERING IS PROHIBITED.

ISC ENGINEERING
CONTROLLED COPY
 Rich Fierro 01/24/2019