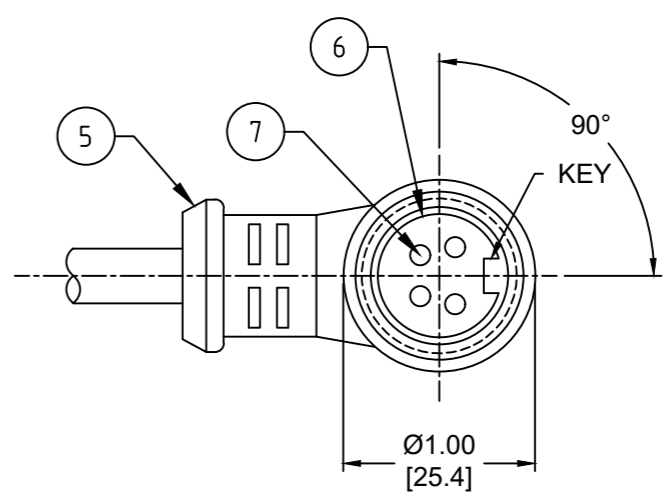
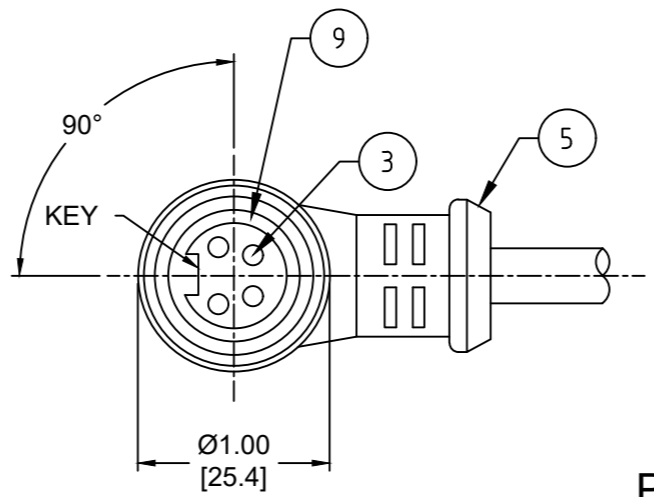
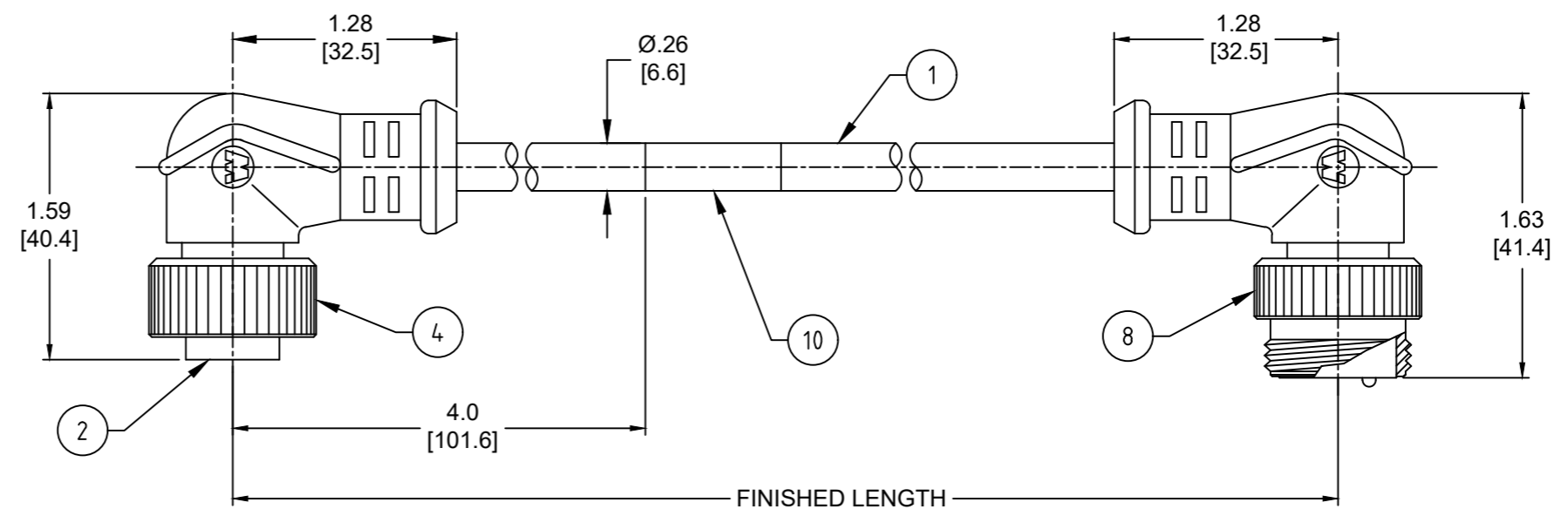


PART NO	ENGINEERING NO.	FINISHED LENGTH
1300100971	114033K03M002	0.2M [8 IN]
1300102071	114033K03M100	10M [32FT 10 IN]
1300100981	114033K03M250	25M [82FT]



- NOTES:
- MATERIAL: AS NOTED
 - FINISH: AS NOTED
 - ELECTRICAL:
VOLTAGE: 300V AC/DC
CURRENT: 5.6A
 - TEMP RATING: -20°C TO +105°C (B)
 - PROTECTION: IP67 (WHEN MATED)
 - COUPLING THREAD: 7/8-16UN
 - CABLE BEND RADIUS IS 10X CABLE DIA.
 - CSA LISTED FILE: LR6837 (B)
 - ALL DIMENSIONS ARE FOR REFERENCE UNLESS TOLERANCED OR NOTED OTHERWISE

MECHANICAL CHARACTERISTICS: (B)

TORSIONAL FLEX TEST	10 MILLION CYCLES PER MIL-C-13777G
BEND FLEX TEST	10 MILLION CYCLES PER MIL-C-13777G
WELD SLAG RESISTANCE	WOODHEAD STANDARD S-300

PART NO. MATRIX
114033K03M002

FINISHED LENGTH:
M002= 0.2 METER
M010= 1 METER
M100= 10 METER

(B) CABLE LENGTH TOLERANCES

<.3M [1FT]:	+19mm-0 [+1.75in-0]
.3 - .9M [1 - 3FT]:	+44.5mm-0 [+1.75in-0]
.9 - 1.8M [3 - 6FT]:	+55.6mm-0 [+2.19in-0]
1.8 - 3.7M [6 - 12FT]:	+88.9mm-0 [+3.50in-0]
3.7 - 7.3M [12 - 24FT]:	+165.1mm-0 [+6.50in-0]
7.3-14.6M [24 - 48FT]:	+317.5mm-0 [+12.50in-0]
14.6 - 30.5M [48-100FT]:	+622.3mm-0 [+24.50in-0]
OVER 30M [100FT]	+2% OF FINISHED LENGTH

ITEM	DESCRIPTION	MATERIAL	FINISH
10	WRAP LABEL	VINYL	BLACK/YELLOW
9	FRICITION RING	NYLON	NATURAL (B)
8	COUPLING NUT, MALE THREAD	ZINC DIE-CAST	BLACK E-COAT (B)
7	CONTACT PIN	COPPER ALLOY	GOLD PLATED (B)
6	MALE INSERT	TPE	YELLOW (B)
5	OVERMOLD	TPE	YELLOW (B)
4	COUPLING NUT, FEMALE THREAD	ZINC DIE-CAST	BLACK E-COAT (B)
3	CONTACT SOCKET	COPPER ALLOY	GOLD PLATED (B)
2	FEMALE INSERT	TPE	YELLOW (B)
1	CABLE, 18 AWG ITC/PLTC, HI-FLEX	TPE JACKET	YELLOW (B)

FUNCTIONAL SYMBOLS $F=0$ $E=0$ $P=0$	THIS DRAWING CONTAINS INFORMATION THAT IS PROPRIETARY TO MOLEX ELECTRONIC TECHNOLOGIES, LLC AND SHOULD NOT BE USED WITHOUT WRITTEN PERMISSION		CURRENT REV DESC: ITEM# 2, 5 & 6 WERE PVC. ADDED ITEM #9, TOL CHART & MECH CHART... MODIFIED TEMP RATING & MATERIAL NUMBER CHART		
	DIMENSION UNITS INCH/MM	SCALE NTS	GENERAL TOLERANCES (UNLESS SPECIFIED)		
	4 PLACES ±--- ±---	mm INCH	EC NO: 663067 DRWN: ABENJAMINLW 2021/01/18 CHK'D: RSTONE 2021/05/06 APPR: BWOODMAN 2021/05/13		
	3 PLACES ±--- ±---	DIVISIONAL SYMBOLS	INITIAL REVISION: DRWN: RSTONE 2017/02/23 APPR: BWOODMAN 2017/03/08		
2 PLACES ±--- ±---	1 PLACE ±--- ±---	0 PLACES ±--- ±---	ANGULAR TOL ± --- °	DRAFT WHERE APPLICABLE MUST REMAIN WITHIN DIMENSIONS	
THIRD ANGLE PROJECTION		DRAWING B-SIZE	SERIES 130010	MATERIAL NUMBER SEE CHART	
CUSTOMER GENERAL MARKET		SHEET NUMBER 1 OF 1	DOCUMENT NUMBER SD-130010-039		
DOC TYPE/DOC PART/REVISION PSD 001 B		PRODUCT CUSTOMER DRAWING			