



Technical specification :

Rated voltage: 30 V
IEC 61076-2-104

Current rating: 3 A at 40°C
IEC 61076-2-104

Insulation resistance: >=100 MΩ
IEC 60512

Pollution degree: 3/2
IEC 60664-1

Degree of protection: IP 67, in mated condition
IEC 60529

Temperature range: -30°C ... +80°C
IEC 60664-1

Mating cycles: >=100
IEC 60512-9a

Materials:

Contact: CuZn

Contact plating: Nickel, gold plated

Contact carrier: TPU GF, UL 94

Sealing: FPM

Coupling nut/ screw: GD-Zn, nickel plated

Moulding body: TPU, UL 94, grey

Installation specification:

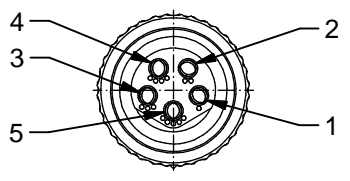
Recommended torque: 0,4 Nm

Conec installation tool: Torque wrench: 36-000200
Insert across flats 9: 36-000210

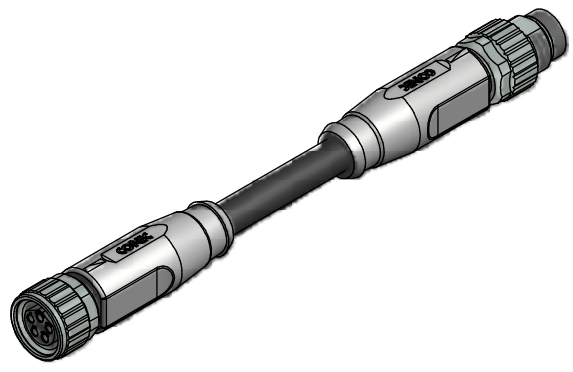
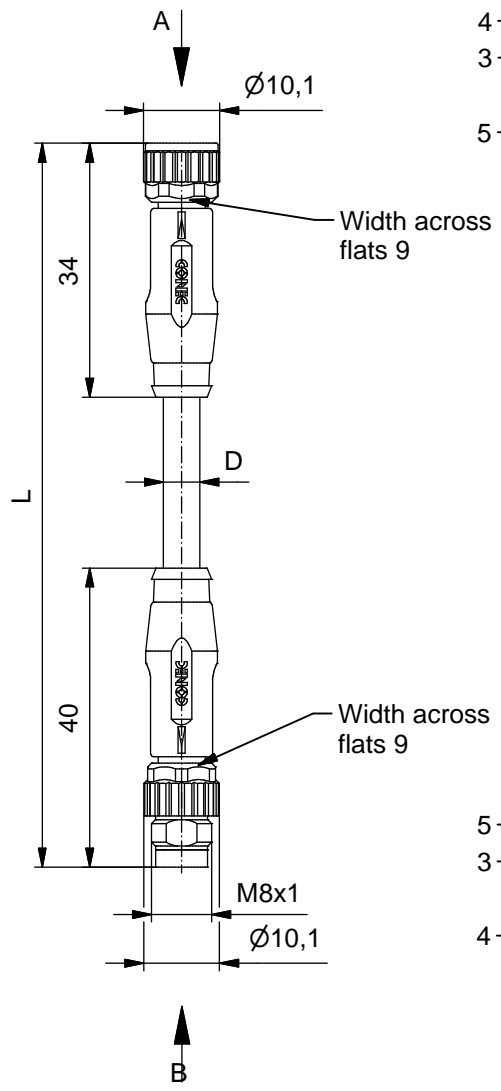
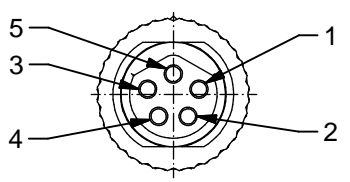
Contact assignment:

- 1) brown
- 2) white
- 3) blue
- 4) black
- 5) grey

A



B



Part no:	Description:	Length L:	Cable:
42-11128	SAL - 8B - RK5.1 - RS5.1 - 0,3 / K1	0,3m	TPU, UL 20549, black, 5x0,25mm ² Cable: 781-K12500
42-11129	SAL - 8B - RK5.1 - RS5.1 - 0,6 / K1	0,6m	
42-11130	SAL - 8B - RK5.1 - RS5.1 - 1,5 / K1	1,5m	
42-11131	SAL - 8B - RK5.1 - RS5.1 - 3 / K1	3m	
42-xxxxx	SAL - 8B - RK5.1 - RS5.1 - ... / K1	x	

D see data sheet cable

DO NOT ALTER CAD DRAWING BY HAND Directive 2002/95/EC RoHS compliant	Index:a 23.08.11 BCB Ä3941 data modified	dim. in mm	title: Connecting cable M8x1, female connector axial - male connector axial, screw, B-coding		
	tolerance of cable: L <= 4m: L + 40mm L > 4m: L + 1%			date name	
	THIS DRAWING MAY NOT BE COPIED OR REPRODUCED IN ANY WAY, AND MAY NOT BE PASSED ON TO A THIRD PARTY WITHOUT WRITTEN PERMISSION. OWNERSHIP AND COPYRIGHT OF CONEC GmbH	drawn 03.09.10 Fromm			dwg no: 42K1A248
		appd. 03.09.10 Mankopf			part no: see table

