

3-487937-4 ✓ ACTIVE

TE Internal #: 3-487937-4

FFC Connectors, Housing, Wire-to-Board, 34 Position, 1.27 mm [.05 in] Centerline, 2 Row, Socket, Package, Mating Retention, Normal, Mating Alignment

[View on TE.com >](#)



[Connectors](#) > [PCB Connectors](#) > [Wire-to-Board Connectors](#) > [FFC, FPC & Ribbon Connectors](#) > [FFC Connectors](#) > [FFC Receptacle Housing: 1.27mm](#)



FFC Connector Product Type: **Housing**

Connector System: **Wire-to-Board**

Number of Positions: **34**

Centerline (Pitch): **1.27 mm [.05 in]**

Number of Rows: **2**

[All FFC Receptacle Housing: 1.27mm \(52\)](#)

Features

Product Type Features

| | |
|-----------------------------------|---------------|
| Connector & Housing Type | Receptacle |
| FFC Connector Product Type | Housing |
| Connector System | Wire-to-Board |
| Connector & Contact Terminates To | Wire & Cable |
| Insertion Force Type | Normal |

Configuration Features

| | |
|---------------------|----|
| Number of Positions | 34 |
| Number of Rows | 2 |

Electrical Characteristics

| | |
|---------------------------------------|---------|
| Dielectric Withstanding Voltage (Max) | 300 VAC |
| Insulation Resistance | 5000 MΩ |
| Operating Voltage | 100 VAC |

Body Features

| | |
|-----------------------|-------|
| Primary Product Color | Black |
|-----------------------|-------|

Contact Features

| | |
|--------------|--------|
| Contact Type | Socket |
|--------------|--------|

Mechanical Attachment



| | |
|-------------------------|----------------------------|
| Mating Alignment Type | Polarization |
| Mating Retention Type | Latch |
| Mating Retention | With |
| Mating Alignment | With |
| Panel Mount Feature | Without |
| Connector Mounting Type | Cable Mount (Free-Hanging) |

Housing Features

| | |
|--------------------|------------------|
| Housing Material | Polyester |
| Centerline (Pitch) | 1.27 mm [.05 in] |
| FFC Cable Entry | Straight |

Dimensions

| | |
|--------------------|-----------------|
| Row-to-Row Spacing | 2.54 mm [.1 in] |
|--------------------|-----------------|

Usage Conditions

| | |
|-----------------------------|-----------------------------|
| Operating Temperature Range | -55 – 105 °C [-67 – 221 °F] |
|-----------------------------|-----------------------------|

Operation/Application

| | |
|---------------------|--------|
| Circuit Application | Signal |
|---------------------|--------|

Industry Standards

| | |
|------------------------|----------|
| UL Flammability Rating | UL 94V-0 |
|------------------------|----------|

Packaging Features

| | |
|--------------------|---------|
| Packaging Quantity | 300 |
| Packaging Method | Package |

Product Compliance

[For compliance documentation, visit the product page on TE.com>](#)

| | |
|---|--|
| EU RoHS Directive 2011/65/EU | Compliant |
| EU ELV Directive 2000/53/EC | Compliant |
| China RoHS 2 Directive MIIT Order No 32, 2016 | No Restricted Materials Above Threshold |
| EU REACH Regulation (EC) No. 1907/2006 | Current ECHA Candidate List: JUNE 2023 (235) Candidate List Declared Against: JAN 2023 (233) Does not contain REACH SVHC |
| Halogen Content | Low Halogen - Br, Cl, F, I < 900 ppm per homogenous material. Also BFR/CFR/PVC |

Free

Solder Process Capability

Not applicable for solder process capability

Product Compliance Disclaimer

This information is provided based on reasonable inquiry of our suppliers and represents our current actual knowledge based on the information they provided. This information is subject to change. The part numbers that TE has identified as EU RoHS compliant have a maximum concentration of 0.1% by weight in homogenous materials for lead, hexavalent chromium, mercury, PBB, PBDE, DBP, BBP, DEHP, DIBP, and 0.01% for cadmium, or qualify for an exemption to these limits as defined in the Annexes of Directive 2011/65/EU (RoHS2). Finished electrical and electronic equipment products will be CE marked as required by Directive 2011/65/EU. Components may not be CE marked. Additionally, the part numbers that TE has identified as EU ELV compliant have a maximum concentration of 0.1% by weight in homogenous materials for lead, hexavalent chromium, and mercury, and 0.01% for cadmium, or qualify for an exemption to these limits as defined in the Annexes of Directive 2000/53/EC (ELV). Regarding the REACH Regulation, the information TE provides on SVHC in articles for this part number is based on the latest European Chemicals Agency (ECHA) 'Guidance on requirements for substances in articles' posted at this URL: <https://echa.europa.eu/guidance-documents/guidance-on-reach>

Compatible Parts



TE Part # CAT-F439-S01339127
1.27mm FFC Connectors Socket Contacts



TE Part # 1-104068-3
34 SYSTEM 50 HDR DRST SHRD



TE Part # 6-104069-4
34 sys 50 hdr drra shrd sn



TE Part # 6-104068-3
34 SYSTEM 50 HDR DRST SHRD



TE Part # 1-104069-4
34 SYSTEM 50 HDR DRRA SHRD



TE Part # 147054-1
34 MODIV DR ASSY, HSG & LATCH

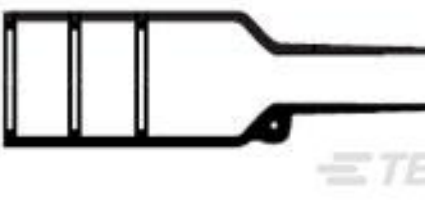


TE Part # 6-104118-1
34 SYS 50 HDR DRRA UNSHRD SN



TE Part # 6-104666-3
34 SYSTEM 50 HDR DRST SHRD SN

Customers Also Bought



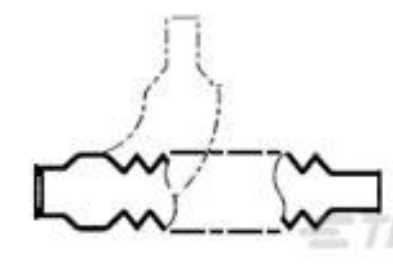
TE Part #375458-000
202K174-25/225-0



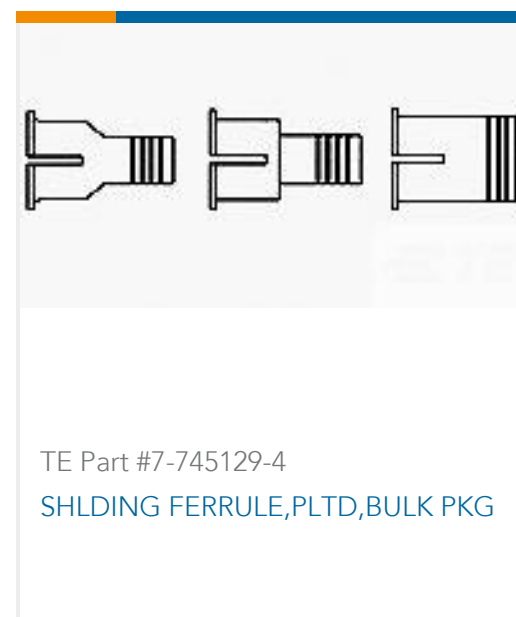
TE Part #CN9926-000
Self Laminating Vinyl Labels, SBP



TE Part #487547-1
FFC RCPT CONTACT .050CL



TE Part #430328-000
202C621-51/164-0



Documents

Product Drawings

[034 HOUSING FFC 50CL DR LATCH](#)

English

CAD Files

Customer View Model

[ENG_CVM_CVM_3-487937-4_R.2d_dxf.zip](#)

English

[3D PDF](#)

3D

Customer View Model

[ENG_CVM_CVM_3-487937-4_R.3d_igs.zip](#)

English

Customer View Model

[ENG_CVM_CVM_3-487937-4_R.3d_stp.zip](#)

English

By downloading the CAD file I accept and agree to the [Terms and Conditions](#) of use.

Datasheets & Catalog Pages

[AMPMODU_INTERCONNECTION_SYSTEM_SECTION3AND4](#)

English

Product Specifications

[Application Specification](#)

English