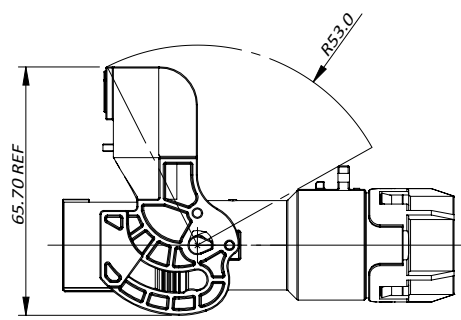
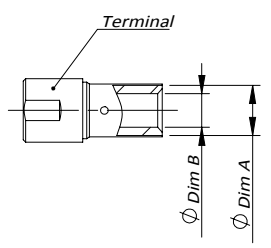
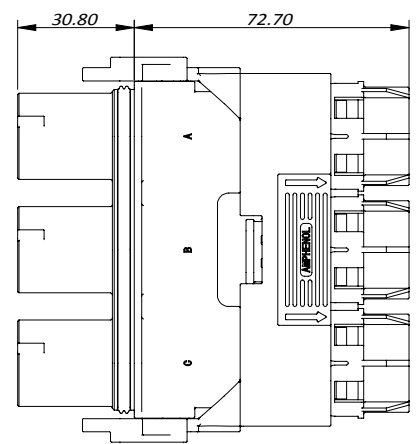
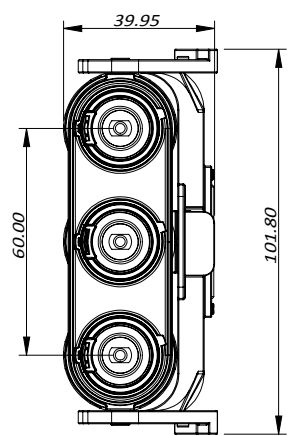
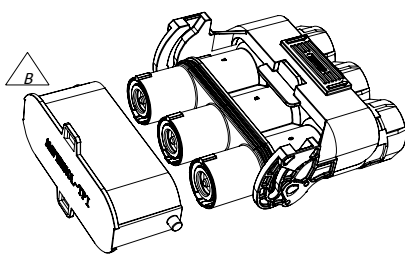


THIS DRAWING IS SUPPLIED FOR INFORMATION ONLY. DESIGN FEATURES, SPECIFICATIONS AND PERFORMANCE DATA SHOWN HEREON ARE THE PROPERTY OF THE AMPHENOL CORPORATION. NO RIGHTS OF REPRODUCTION ARE IMPLIED. ALL DIMENSIONS ARE SUBJECT TO NORMAL MANUFACTURING VARIATIONS.

CUSTOMER DRAWING



| REVISIONS | | | | | |
|-----------|------|---|---------|----------|------------|
| REV# | ECN# | REVISION ACTION | REV.BY: | APPR.BY: | DATE |
| A | -- | INITIAL RELEASE | JX | JL | 03/09/2020 |
| B | -- | Add Package specification P/N And Add Dust Cap Protection Cap | Star | JL | 03/04/2021 |

订购信息 Ordering Information

PL183 X - 30 1 - 70 - 2 -5

| Key and Color | HVIL | Cable Size | Cable Type: |
|---------------|----------------|------------------------|--------------------|
| "X", Orange | "0", NO HVIL | "70"=70mm ² | "-5", Huber+Suhner |
| "Y", Black | "1", With HVIL | "50"=50mm ² | |

规格参数(Spec.):

- 工作温度 Operating temperature : -40°C ~ +125°C.
- 带高压互锁 Electrical interlock (HVIL).
- 额定电流 Current rating:
Power: 50mm², 200A; 70mm², 250A; HVIL: 5A.
- 额定电压 Operating voltage:
Power: 1000 VDC; Signal: 60 VDC.
- 耐压 Dielectric withstanding voltage:
 - A. 与插座对插后, Pin与铁壳之间
When mated, between pin and metal shell: 5000 VDC.
 - B. 与插座对插后, Pin与HVIL之间
When mated, between pin and HVIL: 5000 VDC.
 - C. 与插座对插后, HVIL与铁壳之间
When mated, between HVIL and metal shell: 500 VDC.
 - D. 与插座对插前, 两个HVIL端子之间耐压
Before mating, between two HVIL terminals: 500 VDC.
- 防护等级 Protection class: Mated-IP6k9k & IP67, unmated-IP2X.
- 电磁屏蔽 360° full Shielding.
- 机械寿命 Mating cycle: 100 Min.
- 带CPA的摇杆系统 Latch system with CPA.
- 绝缘材料满足UL94 V-0 Inner insulation material satisfy UL94V-0.
- 镀灰锌/镍合金, 符合RoHS, 满足500H中性盐雾实验
Gray Zinc/Nickel(ZnNi) Plating, RoHS compliant, Rated at 500hours salt spray.

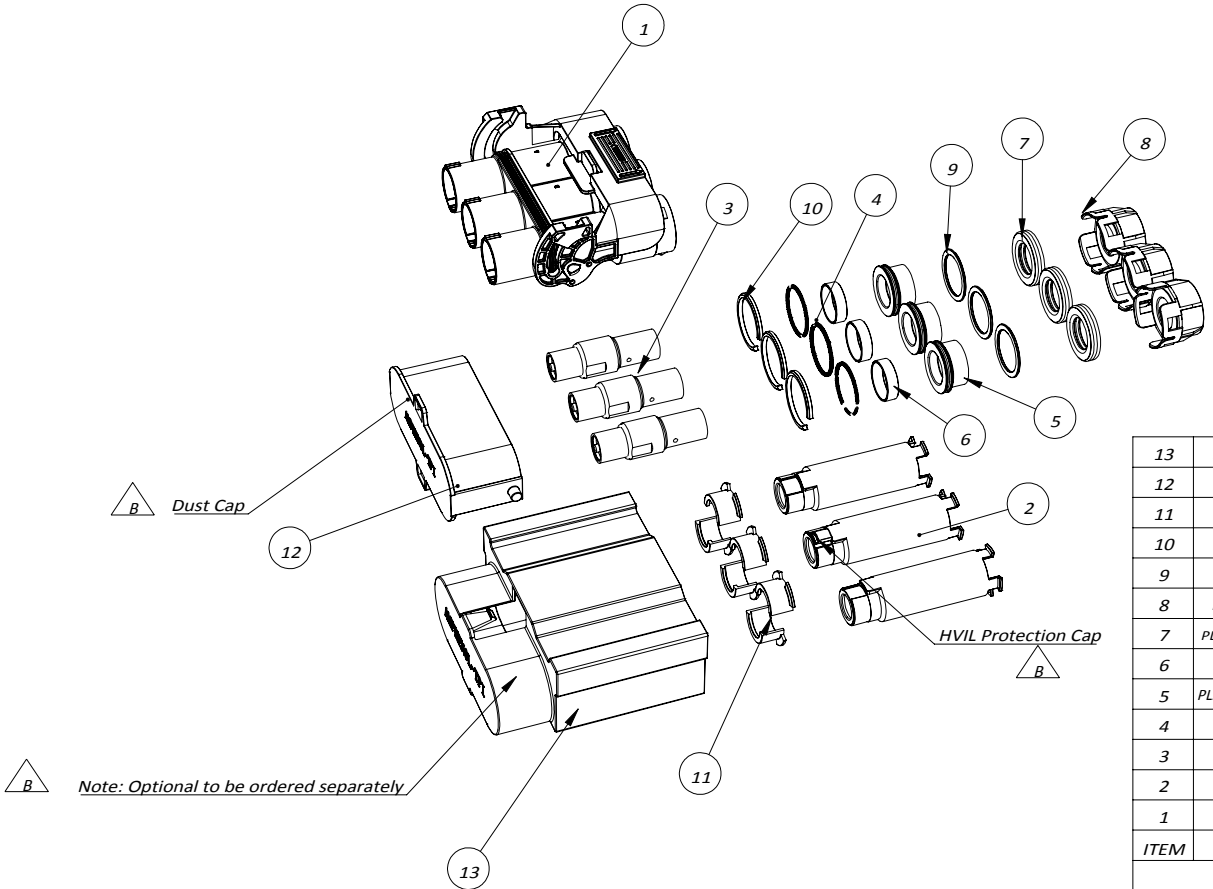
Standard Part List:

| Model No. | H+S Part No. | Dia. Primary Insulation(mm) | Dia. of Screen max. (mm) | Overall-Dia. Nominal(mm) | Outside-Dia. of terminal(mm): "A" | Inside-Dia. of terminal(mm): "B" |
|---------------------|--------------|-----------------------------|--------------------------|--------------------------|-----------------------------------|----------------------------------|
| PL183(X)-30X-70-2-5 | 84100298 | 13.7±0.3 | 14.6 | 17.0±0.3 | 16.7±0.3 | 12.2±0.3 |
| PL183(X)-30X-50-2-5 | 84096257 | 11.5±0.3 | 12.6 | 14.9±0.3 | 14.0±0.3 | 10.0±0.3 |

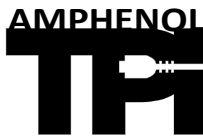
| | | | | | | |
|--------------|---|--|------------|------------|--------------------|--|
| | Amphenol Technical Products International Asia. | | | | | PART NAME: PL300 G2 3POS Straight Plug |
| | 第三角投影 THIRD ANGLE PROJECTION | 页面 SHEET | 幅面 SIZE | 版次 REV. | 比例 SCALE | |
| 签名 SIGNATURE | 日期 DATE | UNLESS OTHERWISE SPECIFIED 1) All dimensions are in metric(mm). 2) Tolerances are as follows: 1.PL DEC ± 1.00 2.PL DEC ± 0.50 3.PL DEC ± 0.20 | | | CUST PART # | |
| 制图 DRAWN | Star | 03/04/2021 | Angles ±1° | | | CUST REV. |
| 审核 CHECKED | | | | | | |
| 批准 APPROVAL | | | | | | |

THIS DRAWING IS SUPPLIED FOR INFORMATION ONLY. DESIGN FEATURES, SPECIFICATIONS AND PERFORMANCE DATA SHOWN HEREON ARE THE PROPERTY OF THE AMPHENOL CORPORATION. NO RIGHTS OF REPRODUCTION ARE IMPLIED. ALL DIMENSIONS ARE SUBJECT TO NORMAL MANUFACTURING VARIATIONS.


| 1 | 2 | 3 | 4 | 5 | 6 | 7 | 8 |
|-------------------|-----------------|------------------|---|---|-----------|------|---|
| 型号 Model | Kit Package P/N | Bulk Package P/N | | | REVISIONS | | |
| PL183X-300-50-2-5 | AC-HA011985 | AC-HA011985-2 | | | REV# | ECN# | REVISION ACTION |
| PL183Y-300-50-2-5 | AC-HA011986 | AC-HA011986-2 | | | A | -- | INITIAL RELEASE |
| PL183X-300-70-2-5 | AC-HA011987 | AC-HA011987-2 | | | B | -- | Add Package specification P/N And Add Dust Cap Protection Cap |
| PL183Y-300-70-2-5 | AC-HA011988 | AC-HA011988-2 | | | | | REV.BY: JX |
| PL183X-301-50-2-5 | AC-HA011989 | AC-HA011989-2 | | | | | APPR.BY: JL |
| PL183Y-301-50-2-5 | AC-HA011990 | AC-HA011990-2 | | | | | DATE 03/09/2020 |
| PL183X-301-70-2-5 | AC-HA011991 | AC-HA011991-2 | | | | | |
| PL183Y-301-70-2-5 | AC-HA011992 | AC-HA011992-2 | | | | | |



| ITEM | DESCRIPTION | QTY | REMARK |
|------|--|-----|---|
| 13 | PL300 G2 3 POS plug protection cap | 1 | Order P/N AC-CP001618 |
| 12 | PL300 G2 Dust Cap for Plug | 1 | |
| 11 | PL300 G2 Lock Housing1 | 6 | Different P/N are used according to different Cable sizes |
| 10 | PL300 G2 Lock Housing2 | 3 | |
| 9 | PL300 G2 Metal Gasket | 3 | Different P/N are used according to different Cable sizes |
| 8 | PL300 G2 Tail Cap for straight plug | 3 | Different P/N are used according to different Cable sizes |
| 7 | PL300 G2 cable sealing for straight plug | 3 | Different P/N are used according to different Cable sizes |
| 6 | PL300 G2 Inner Copper Ring | 3 | Different P/N are used according to different Cable sizes |
| 5 | PL300 G2 Outer Copper Ring for Straight Plug | 3 | |
| 4 | PL300 G2 Coil Spring for Straight Plug | 3 | Different P/N are used according to different Cable sizes |
| 3 | PL300 G2 Terminal Assy | 3 | |
| 2 | PL300 G2 Insulation Sleeve Assy | 3 | |
| 1 | PL300 G2 Shell Plug Assy | 1 | Different P/N are used according to different Cable sizes |
| ITEM | DESCRIPTION | QTY | REMARK |



Amphenol Technical Products International Asia.

| | | | | | | |
|--|--|--|-------------------|-------------------|--------------------|---|
|  THIRD ANGLE PROJECTION | 第三角投影 THIRD ANGLE PROJECTION | 页面 SHEET | 幅面 SIZE | 版次 REV. | 比例 SCALE | PART NAME: PL300 G2 3POS Straight Plug |
| | | 2 OF 2 | A4 | B | | |
| 签名 SIGNATURE | 日期 DATE | UNLESS OTHERWISE SPECIFIED 1) All dimensions are in metric(mm). 2) Tolerances are as follows: 1.PL DEC ± 1.00 2.PL DEC ± 0.50 3.PL DEC ± 0.20 | | | | DWG NO: PL183X-30X-XX-2-5 |
| 制图 DRAWN | Star | 03/04/2021 | Angles ±1° | | CUST PART # | CUST REV. |
| 审核 CHECKED | | | | | | |
| 批准 APPROVAL | | | | | | |