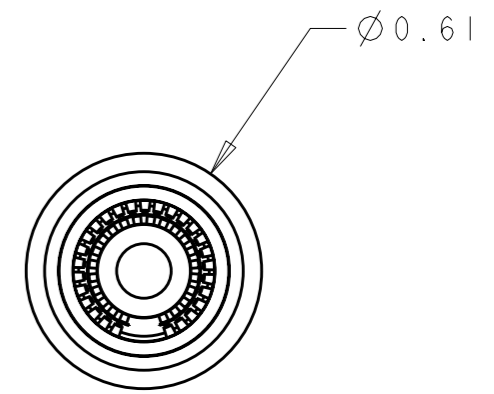
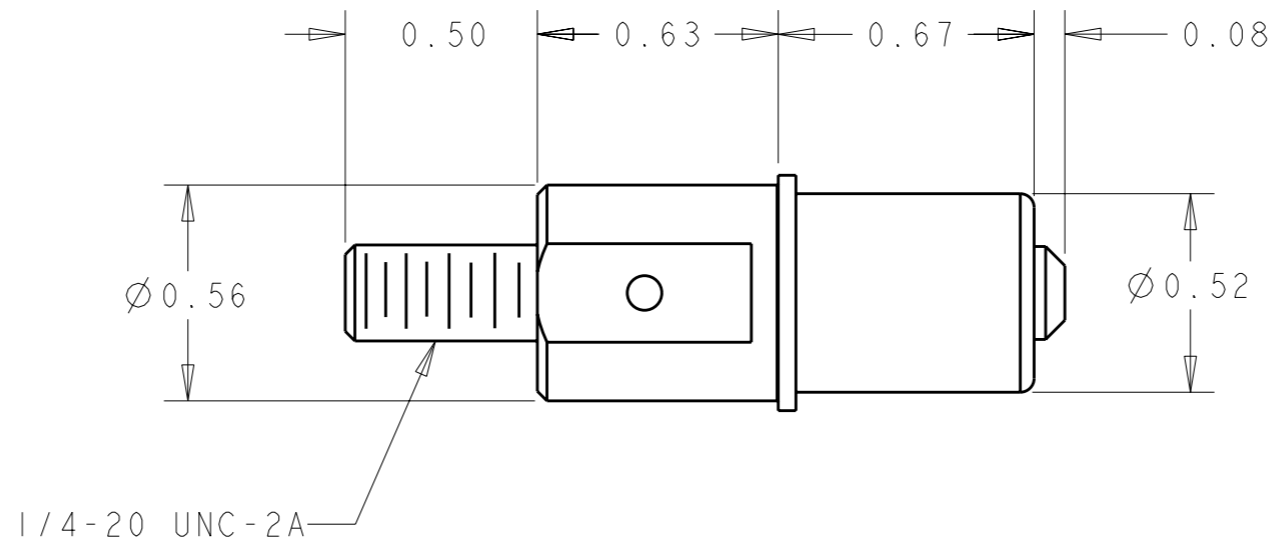
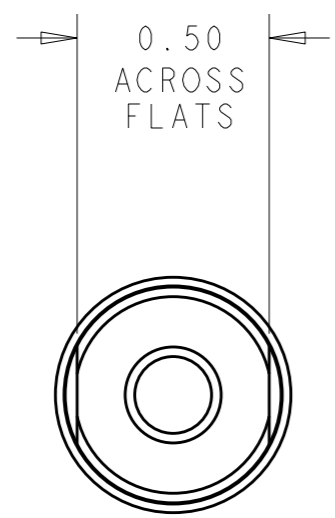


THIS DRAWING IS UNPUBLISHED. RELEASED FOR PUBLICATION 20
 © COPYRIGHT 20 BY TYCO ELECTRONICS CORPORATION. ALL RIGHTS RESERVED.

LOC	DIST	REVISIONS			
P	LTR	DESCRIPTION	DATE	DWN	APVD
-	-	A	NEW RELEASE	22OCT2008	CR DO



- PART NUMBER CHANGES AND/OR DESIGN CHANGES AFFECTING INTERCHANGEABILITY REQUIRE PRIOR TYCO ELECTRONICS APPROVAL AND AUTHORIZATION BY REVISION TO THIS DRAWING
- ITEMS PROVIDED TO THIS SPECIFICATION TO BE PERMANENTLY IDENTIFIED PER THE FOLLOWING IDENTIFIER LABEL

TYCO ELECTRONICS P/N: XXXXXXXX-X
 DATE CODE (e.g. 0106): YEAR WEEK

3 MATERIALS:
 CONTACTS: COPPER ALLOY
 CROWN BANDS: COPPER ALLOY

4 FINISHES:
 CONTACTS: SILVER PLATE: .000200/.000300 THK OVER
 NICKEL PLATE: .000040 MIN THK
 CROWN BANDS: GOLD: .000040 MIN THK OVER
 NICKEL PLATE: .000040 THK

THIS DRAWING IS A CONTROLLED DOCUMENT FOR TYCO ELECTRONICS CORPORATION
 IT IS SUBJECT TO CHANGE AND THE CONTROLLING ENGINEERING ORGANIZATION
 SHOULD BE CONTACTED FOR THE LATEST REVISION.

DIMENSIONS: INCHES		TOLERANCES UNLESS OTHERWISE SPECIFIED:	
		0 PLC	±.
		1 PLC	±.
		2 PLC	±.01
		3 PLC	±.006
MATERIAL		FINISH	
-		-	

DWN	C. ROHLER	22OCT2008
CHK	D. ORRIS	22OCT2008
APVD	M. PERCHERKE	22OCT2008
PRODUCT SPEC	-	
APPLICATION SPEC	-	
WEIGHT	-	
CUSTOMER DRAWING		

AS SHOWN		6648420-1	
DESCRIPTION		PART NO.	
Tyco Electronics Harrisburg, PA 17105-3608			
NAME: CONTACT, SOCKET, SIZE #0 1/4-20 EXT THD, DOUBLE CROWN DRAWERS			
SIZE	CAGE CODE	DRAWING NO	RESTRICTED TO
A3	00779	C-6648420	-
SCALE 2:1		SHEET 1	OF 1 REV A