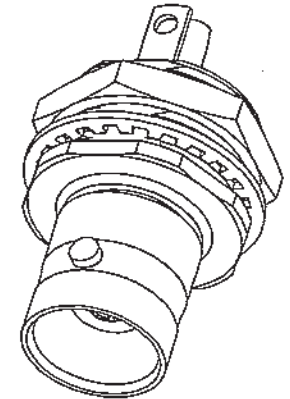
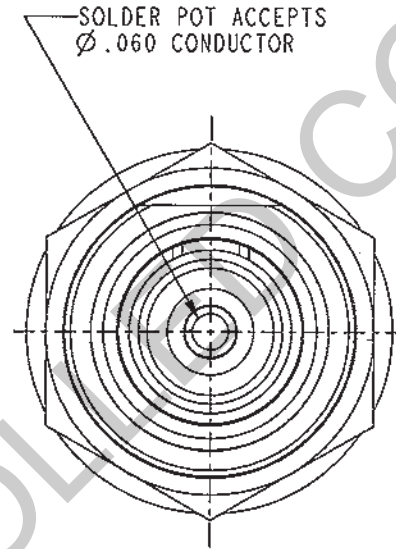
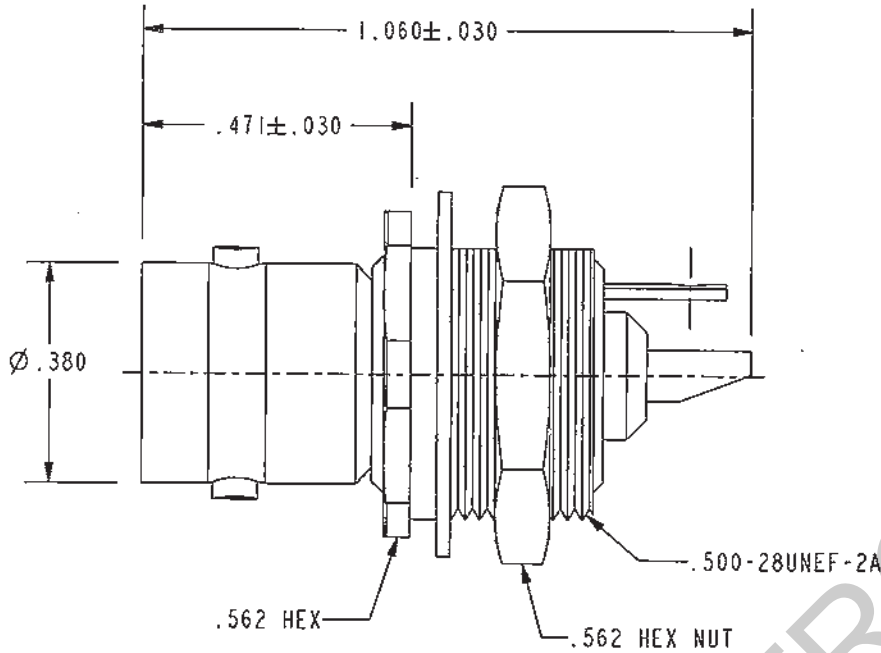


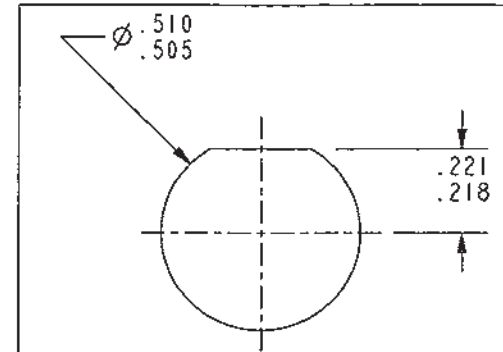
DASH NO	MODEL NO	IMPEDANCE (Ω)
-1	BJ27	50
-2	UBJ27	75

DATA CONTAINED IN THIS DOCUMENT IS PROPRIETARY TO TROMPETER ELECTRONICS INC. AND SHALL NOT BE DISCLOSED, COPIED OR USED FOR PROMCUNT OR MANUFACTURE WITHOUT EXPRESS WRITTEN PERMISSION.

REVISIONS			
REV	DESCRIPTIONS	DATE	APPROVED
Y	REVISED PER ECO #14680	8-22-02	AM.



SCALE 2/1



RECOMMENDED
PANEL CUTOUT
SCALE 2/1

RED INDICATES ORIGINAL

-1 SHOWN

3. MAX PANEL THICKNESS: .147
2. FINISH: TFS-1A (NICKEL)
1. 50 Ω & 75 Ω COAXIAL BNC INSULATED SOLDER POT BULKHEAD MOUNT RECEPTACLE

NOTES: UNLESS OTHERWISE SPECIFIED.

INTERPRET DRAWING PER MIL-STD-100. DIMENSIONS ARE IN INCHES AND INCLUDE FINISH THICKNESS UNLESS OTHERWISE SPECIFIED.

TOL: UNLESS SPECIFIED.
.XX \pm .02
.XXX \pm .010
ANGLE \pm 1°

TROMPETER
RF connectivity
a cinch connectivity solutions brand

DRW	PD	8-20-02	MATERIAL:	TITLE:
CHK	JLM	8-21-02		BJ27/UBJ27
QUALITY	AK	8/22/02	FINISH:	
HAND	AK	8/22/02	SEE NOTE 2	
APPROVED	AK	8/22/02		

SIZE	CAGE CODE	DRAWING NO.	REV.
A	14949	1-0132	Y
SCALE	DATE	SHEET	
5/1	10-24-72	1 OF 2	

NEXT ASSY	PROJ FILE NO.	DO NOT SCALE DWG
	1-0132	