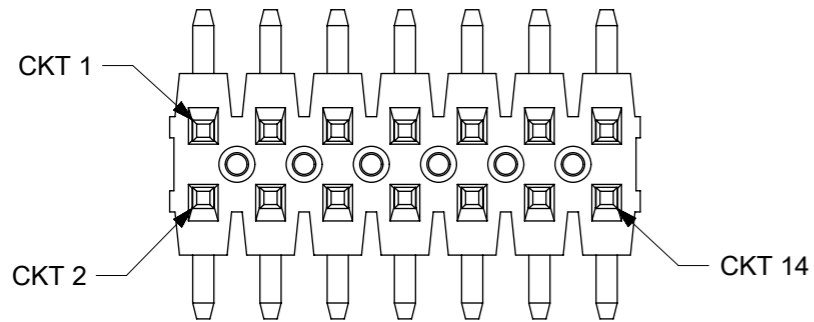
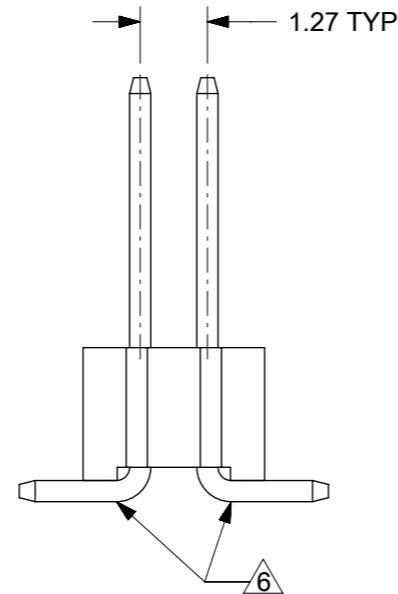
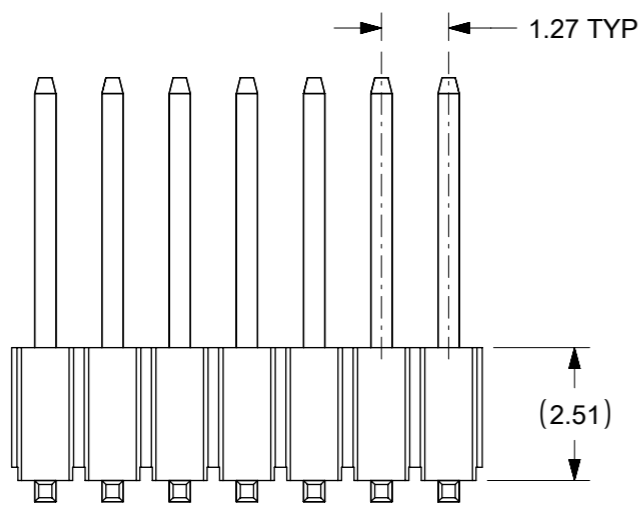


<b>SYMBOLS</b> DIMENSION UNITS: mm, NTS SCALE: NTS GENERAL TOLERANCES (UNLESS SPECIFIED): 4 PLACES ±, 3 PLACES ±, 2 PLACES ± 0.2, 1 PLACE ±, 0 PLACES ± ANGULAR TOL ± 3.0° DRAFT WHERE APPLICABLE MUST REMAIN WITHIN DIMENSIONS	THIS DRAWING CONTAINS INFORMATION THAT IS PROPRIETARY TO MOLEX ELECTRONIC TECHNOLOGIES, LLC AND SHOULD NOT BE USED WITHOUT WRITTEN PERMISSION		CURRENT REV DESC:		 CUSTOM HEADER 1.27MM PITCH DUAL ROW HEADER, SINGLE WAFER, SMT PRODUCT CUSTOMER DRAWING	
	EC NO: 674911		DRWN: ABABUPS 2021/06/09			DOCUMENT NUMBER: SD-151159-0001 DOC TYPE: PSD DOC PART: 000 REVISION: A
	CHK'D: MRAMAKRISHNA 2021/08/23		APPR: MRAMAKRISHNA 2021/08/23			
	INITIAL REVISION:		DRWN: MRAMAKRISHNA 2016/07/25			MATERIAL NUMBER: SEE TABLE CUSTOMER: GENERAL MARKET SHEET NUMBER: 1 OF 3
APPR: ISHWARG		APPR: ISHWARG 2016/08/02				
THIRD ANGLE PROJECTION		DRAWING: A3-SIZE	SERIES: 151159			

# CIRCUITS POSITION CONFIGURATION



# PART WITHOUT PEG AND CAP VERSION



## NOTES:

1. MATERIAL:  
HSG: LCP, GLASS-FILLED, UL94V-0, COLOR: BLACK  
CAP: NYLON, GLASS-FILLED, UL94V-0, COLOR: BLACK  
PIN: 0.40MM SQ, COPPER ALLOY
2. PLATING TYPE:
  - (1) GOLD FLASH OVER  
1.25µm MIN. NICKEL OVERALL.
  - (2) GOLD FLASH ON CONTACT AND  
2.50µm MIN. TIN ON SOLDER TAIL OVER  
1.25µm MIN. NICKEL OVERALL.
  - (3) 0.38µm MIN. GOLD PLATE ON CONTACT AND  
2.00µm MIN. TIN ON SOLDER TAIL OVER  
1.25µm MIN. NICKEL OVERALL.
  - (4) 0.76µm MIN. GOLD PLATE ON CONTACT AND  
2.00µm MIN. TIN ON SOLDER TAIL OVER  
1.25µm MIN. NICKEL OVERALL.
  - (5) 2.50µm MIN. TIN OVERALL  
1.25µm MIN. NICKEL OVERALL
3. PACKAGING TYPE: SEE TABLE
4. PCB THICKNESS 1.60+/-0.10mm
5. PRODUCT SPECIFICATION: PS-87933-001
6. BEND DEPRESSION IS ACCEPTED SO LONG AS IT DOES NOT AFFECT THE OVERALL COPLANARITY OF TAIL
7. COPLANARITY IS TO BE MEASURED BY RESTING THE SOLDER TAIL ON A FLAT SURFACE
8. CAP POSITION TO BE LOCATED AT THE CENTER OF DIMENSION (A) REGARDLESS OF CIRCUIT SIZE  
TOP SURFACE OF CAP TO BE FLAT FOR THE PURPOSE OF PICK & PLACE BY VACUUM SUCTION NOZZLE
9. IRREGULAR CIRCUIT CUTOFF WITHIN BREAKAWAY SECTION IS PERMISSIBLE. CUTTING OR CHIPPING OF THE MAIN BODY IS NOT ACCEPTABLE
10. PIN PUSH OUT FORCE: 0.4Kgf IN EITHER DIRECTION
11. THE ABOVE CKT 14 IS FOR ILLUSTRATION PURPOSE ONLY
12. PACKAGING SPECIFICATION:  
T&R: PK-89990-567  
TRAY: PK-89990-568

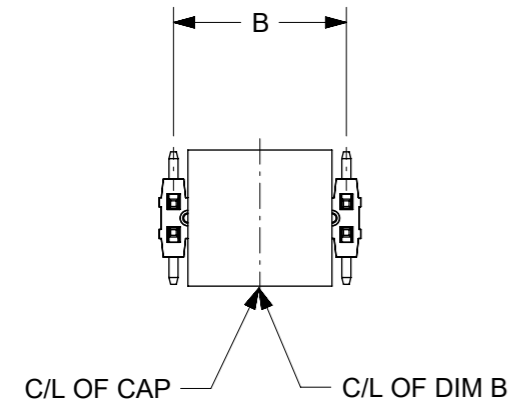
SYMBOLS	THIS DRAWING CONTAINS INFORMATION THAT IS PROPRIETARY TO MOLEX ELECTRONIC TECHNOLOGIES, LLC AND SHOULD NOT BE USED WITHOUT WRITTEN PERMISSION		CURRENT REV DESC:				
	DIMENSION UNITS	SCALE					
▽ = 0	mm	NTS			EC NO: 674911 DRWN: ABABUPS 2021/06/09 CHK'D: MRAMAKRISHNA 2021/08/23 APPR: MRAMAKRISHNA 2021/08/23		
▽ = 0	GENERAL TOLERANCES (UNLESS SPECIFIED)						
▽ = 0			MM	INCH	PRODUCT CUSTOMER DRAWING		
▽ = 0	4 PLACES ±	±					
▽ = 0	3 PLACES ±	±			DOCUMENT NUMBER: SD-151159-0001 DOC TYPE: PSD DOC PART: 000 REVISION: A		
▽ = 0	2 PLACES ±	0.2 ±					
▽ = 0	1 PLACE ±	±			INITIAL REVISION: DRWN: MRAMAKRISHNA 2016/07/25 APPR: ISHWARG 2016/08/02		
▽ = 0	0 PLACES ±	±					
▽ = 0	ANGULAR TOL ±	3.0°			MATERIAL NUMBER: SEE TABLE CUSTOMER: GENERAL MARKET SHEET NUMBER: 2 OF 3		
▽ = 0	DRAFT WHERE APPLICABLE MUST REMAIN WITHIN DIMENSIONS		THIRD ANGLE PROJECTION				

CKT SIZE	DIMENSION		
	A	B	C
04	2.54	1.27	-
06	3.81	2.54	--
08	5.08	3.81	-
10	6.35	5.08	3.81
12	7.62	6.35	-
14	8.89	7.62	-
16	10.16	8.89	-
18	11.43	10.16	-
20	12.70	11.43	10.16
20	12.70	11.43	-
22	13.97	12.70	-
24	15.24	13.97	-
26	16.51	15.24	-
28	17.78	16.51	-
30	19.05	17.78	16.51
32	20.32	19.05	-
34	21.59	20.32	-
36	22.86	21.59	-
38	24.13	22.86	-
40	25.40	24.13	22.86
42	26.67	25.40	-
44	27.94	26.67	-
46	29.21	27.94	-
48	30.48	29.21	-
50	31.75	30.48	29.21
64	40.64	39.37	-

PART NUMBER IN PACKAGIN OPTION				CKT SIZE	PEG	PLATE OPT.	VOID POSITION	DIMENSION					
TRAY WITHOUT CAP	TAPE & REEL WITH CAP W/O PEG	TUBE WITHOUT CAP	TUBE WITH CAP					G	F	MATING END M	E	J	(K)
-	-	151159-0400	-	04	NO	1	-	-	6.51	3.00	1.00	1.92	5.10
-	151159-0600	-	-	06	NO	5	-	10.81	10.01	6.50	1.00	2.36	6.00
151159-0601	-	-	-	06	NO	1	-	-	8.31	4.80	1.00	2.36	6.00
151159-0602	-	-	-	06	NO	1	-	-	8.01	4.50	1.00	2.36	6.00
151159-0603	-	-	-	06	NO	1	-	-	8.51	5.00	1.00	2.36	6.00
-	151159-1000	-	-	10	NO	3	7	7.21	6.43	3.05	0.87	2.28	5.84
151159-1003	-	-	-	10	NO	1	-	-	8.51	5.00	1.00	2.36	6.00
-	151159-1200	-	-	12	NO	5	-	10.42	9.62	5.84	1.27	2.28	5.84
151159-1201	-	-	-	12	NO	1	-	-	18.51	15.00	1.00	1.92	5.10
151159-1401	-	-	-	14	NO	3	-	-	6.78	3.00	1.27	2.36	6.00
-	151159-1601	17	-	16	NO	1	-	7.81	6.51	3.00	1.00	4.365	10.00
151159-2000	-	-	-	20	NO	4	-	-	8.61	4.83	1.27	2.36	6.00
-	151159-2400	-	-	24	NO	5	-	13.31	12.51	9.00	1.00	2.36	6.00
151159-2401	-	-	-	24	NO	5	-	-	15.81	12.30	1.00	2.36	6.00
-	151159-6400	-	-	64	NO	1	-	7.21	5.96	3.05	0.40	2.28	5.84
-	-	151159-7800	-	78	NO	2	-	-	5.01	2.00	0.50	2.115	5.50

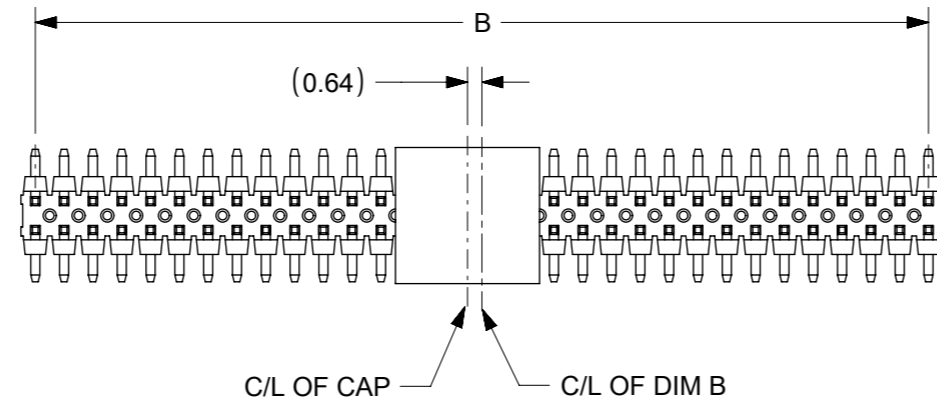
CAP POSITION ILLUSTRATION FOR REFERENCE

FOR ILLUSTRATION 14 CKT AS SHOWN



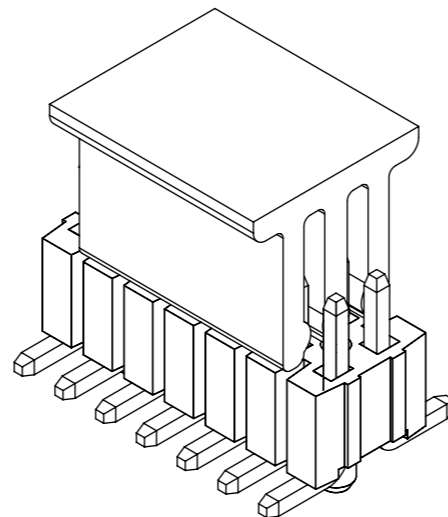
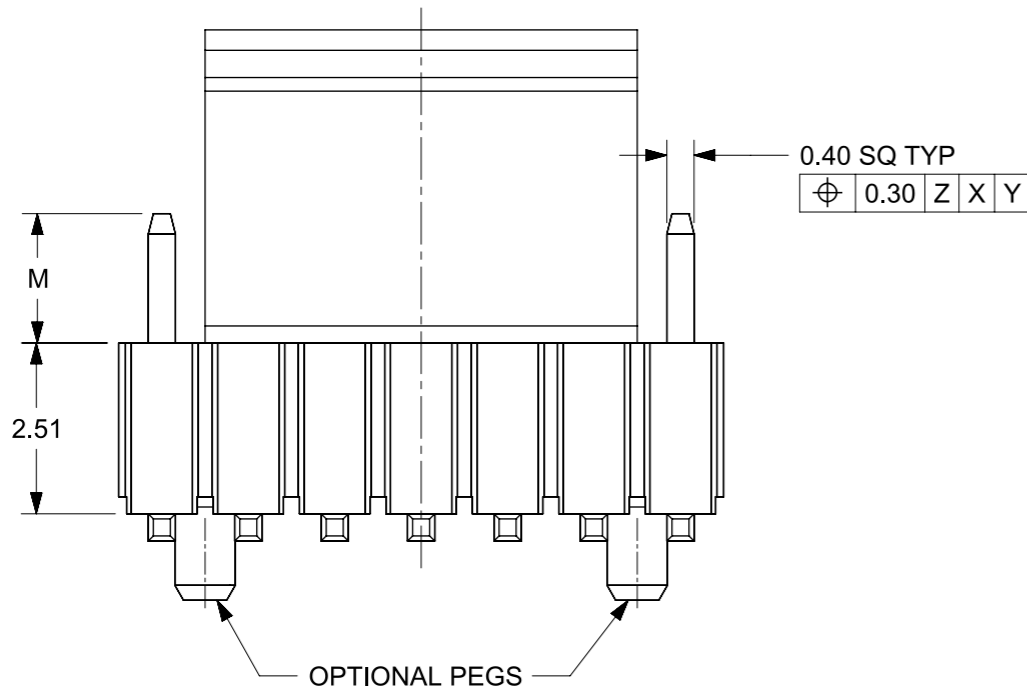
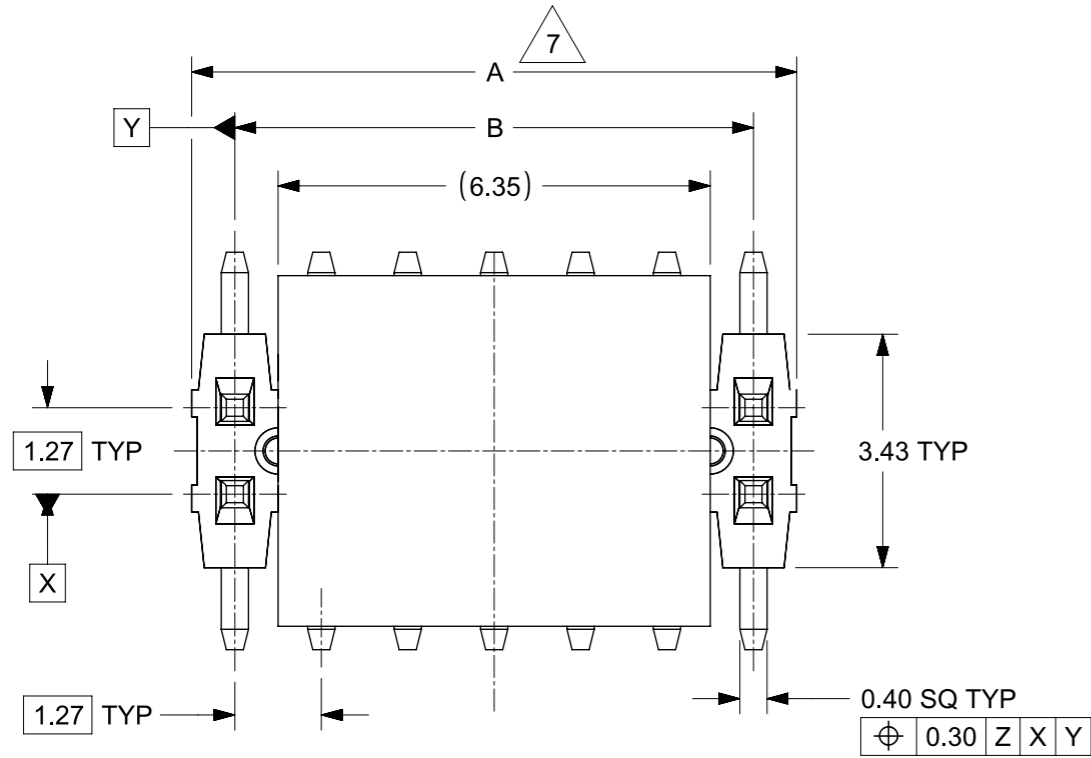
C/L OF DIM B = C/L OF CAP FOR ODD CKT COLUMN

FOR ILLUSTRATION 64 CKT AS SHOWN



C/L OF DIM B IS OFFSET WITH C/L OF CAP FOR EVEN CKT COLUMN

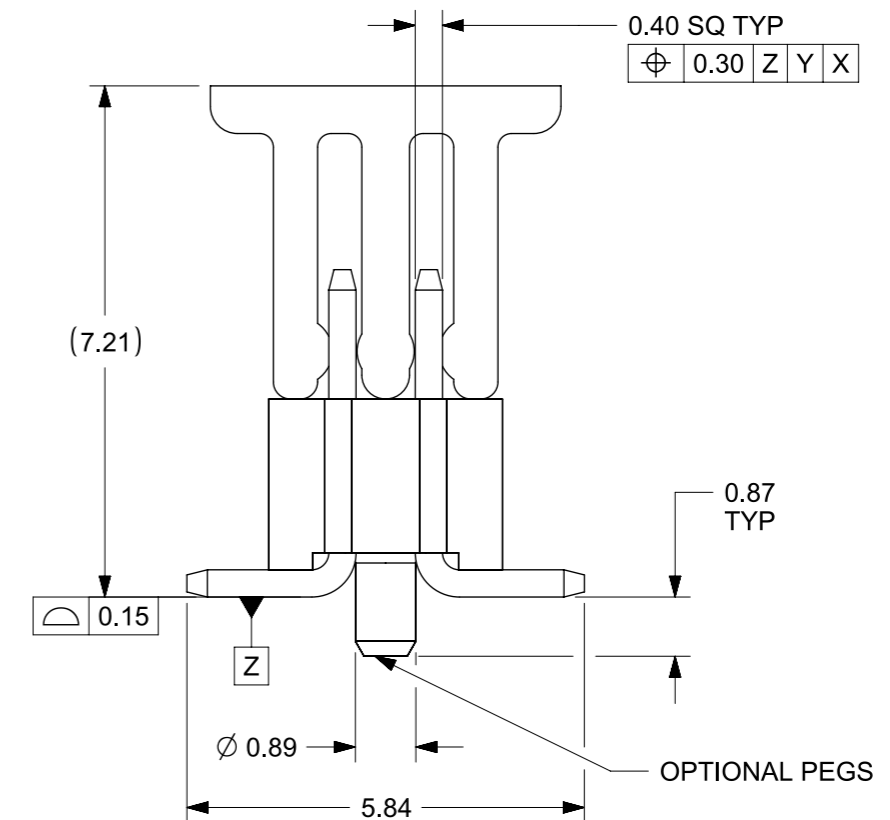
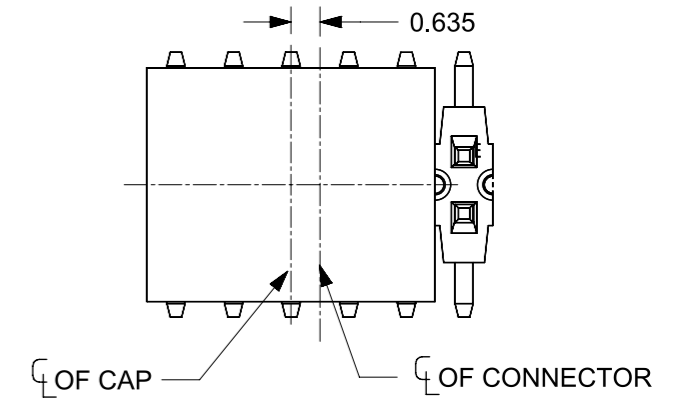
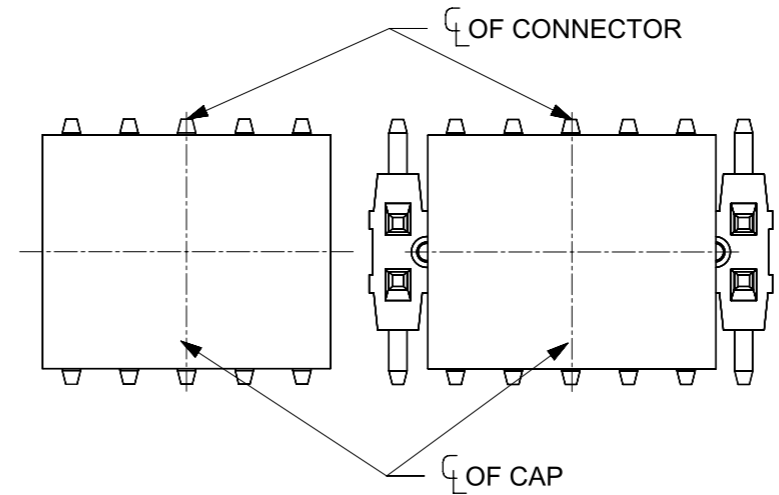
SYMBOLS	THIS DRAWING CONTAINS INFORMATION THAT IS PROPRIETARY TO MOLEX ELECTRONIC TECHNOLOGIES, LLC AND SHOULD NOT BE USED WITHOUT WRITTEN PERMISSION		CURRENT REV DESC:		
	▽ = 0 ▽ = 0 ▽ = 0 ▽ = 0 ▽ = 0 ▽ = 0 ▽ = 0 ▽ = 0 ▽ = 0	DIMENSION UNITS <b>mm</b>	SCALE <b>NTS</b>	EC NO: 674911 DRWN: ABABUPS 2021/06/09 CHK'D: MRAMAKRISHNA 2021/08/23 APPR: MRAMAKRISHNA 2021/08/23	
GENERAL TOLERANCES (UNLESS SPECIFIED)			INITIAL REVISION: DRWN: MRAMAKRISHNA 2016/07/25 APPR: ISHWARG 2016/08/02		DOCUMENT NUMBER <b>SD-151159-0001</b>
4 PLACES ± 3 PLACES ± 2 PLACES ± 0.2 ± 1 PLACE ±			ANGULAR TOL ± 3.0°		DOC TYPE PSD
DRAFT WHERE APPLICABLE MUST REMAIN WITHIN DIMENSIONS			THIRD ANGLE PROJECTION	DRAWING <b>A3-SIZE</b>	DOC PART <b>000</b>
SERIES <b>151159</b>			MATERIAL NUMBER SEE TABLE	CUSTOMER GENERAL MARKET	REVISION <b>A</b>
SHEET NUMBER <b>3 OF 3</b>					



6 CAP POSITION WITH RESPECT TO CONNECTOR

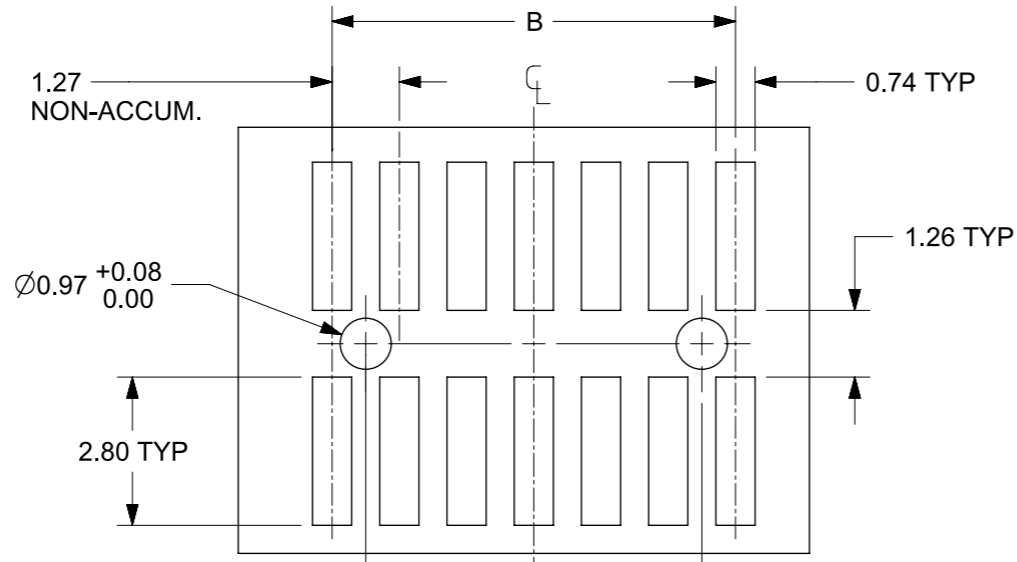
FOR CKT 10 & BELOW & CKT 14, 18, 22, 26, 30,  
34, 38, 42, 46, 50, 54, 58, 62, 66, 70, 74, 78, 82,  
86, 90, 94, 98

FOR 12, 16, 20, 24, 28, 32, 36, 40, 44, 48, 52,  
56, 60, 64, 68, 72, 76, 80, 84, 86, 92, 96, 100

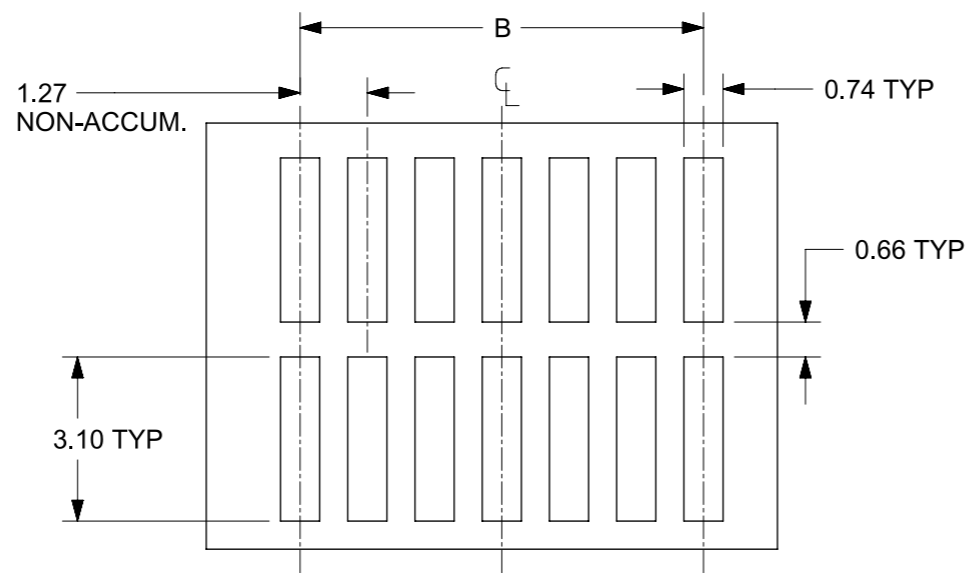


THIS DRAWING CONTAINS INFORMATION THAT IS PROPRIETARY TO MOLEX ELECTRONIC TECHNOLOGIES, LLC AND SHOULD NOT BE USED WITHOUT WRITTEN PERMISSION		CURRENT REV DESC:		<b>molex</b>	
DIMENSION UNITS	SCALE				
mm	NTS			1.27MM PITCH SMT HEADER WITH CAP PACKED IN TUBE	
GENERAL TOLERANCES (UNLESS SPECIFIED)				PRODUCT CUSTOMER DRAWING	
ANGULAR TOL ± 3.0°				DOCUMENT NUMBER	
4 PLACES ±		EC NO: 743277		SD-87933-0001	
3 PLACES ±		DRWN: DANUSA	2022/11/18	DOC TYPE	DOC PART
2 PLACES ± 0.2		CHK'D: SUAIFR	2023/03/22	PSD	000
1 PLACE ±		APPR: MRAMAKRISHNA	2023/03/23	REVISION	
0 PLACES ±		INITIAL REVISION:		C5	
DRAFT WHERE APPLICABLE MUST REMAIN WITHIN DIMENSIONS		DRWN: SCHEONG	2016/09/14	SHEET NUMBER	
THIRD ANGLE PROJECTION		APPR: SCHEONG	2016/11/10	1 OF 6	
DRAWING		SERIES	MATERIAL NUMBER	CUSTOMER	
A3-SIZE		87933	SEE TABLE	GENERAL MARKET	

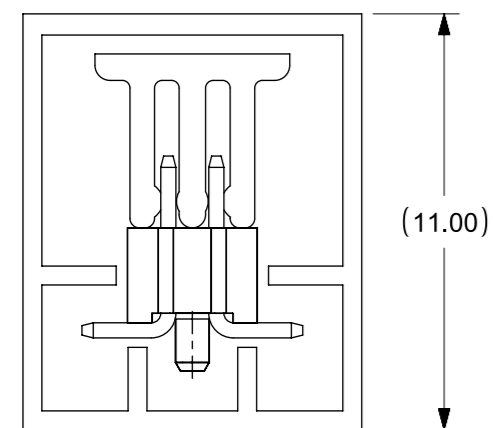
CKT SIZE	DIM A	DIM B	DIM C
4	2.54	1.27	-
6	3.81	2.54	-
8	5.08	3.81	-
10	6.35	5.08	3.81
12	7.62	6.35	-
14	8.89	7.62	-
16	10.16	8.89	-
18	11.43	10.16	-
20	12.70	11.43	10.16
22	13.97	12.70	-
24	15.24	13.97	-



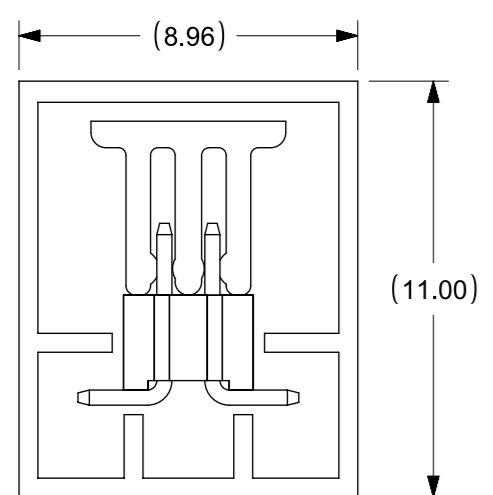
RECOMMENDED PCB LAYOUT  
(PARTS WITH PEGS)  
MANUFACTURING TOLERANCE ±0.05



RECOMMENDED PCB LAYOUT  
(IMPROVED FOR WITHOUT PEGS OPTION)  
MANUFACTURING TOLERANCE ±0.05



PART WITH PEG & CAP  
PACKED IN TUBE




PART WITHOUT PEG &  
WITH CAP PACKED IN TUBE

- NOTE:
- MATERIAL: HOUSING: LCP GLASS FILLED, COLOR: BLACK  
TERMINAL: COPPER ALLOY
  - PIN PUSHOUT FORCE: 0.4KG MIN. IN EITHER DIRECTION.
  - PLATING FINISH:
    - 2 MICRO INCH MIN. GOLD FLASH OVERALL, 50 MICRO INCH MIN. NICKEL UNDERPLATED
    - 100 MICRO INCH MIN. TIN OVERALL, 50 MICRO INCH MIN. NICKEL UNDERPLATED
    - 30 MICRO INCH MIN. GOLD PLATE IN SELECTED AREA AND 80 MICRO INCH MIN. TIN IN SELECTED AREA OVER, 50 MICRO INCH MIN. NICKEL UNDERPLATED
    - 15 MICRO INCH MIN. GOLD PLATE IN SELECTED AREA AND 80 MICRO INCH MIN. TIN IN SELECTED AREA OVER, 50 MICRO INCH MIN. NICKEL UNDERPLATED
    - 2 MICRO INCH MIN. GOLD FLASH IN SELECTED AREA AND 100 MICRO INCH MIN. TIN IN SELECTED AREA OVER, 50 MICRO INCH MIN. NICKEL UNDERPLATED
  - THE ABOVE 14 CKT SHOWN IS FOR ILLUSTRATION ONLY.
  - PARTS TO BE PACKED IN TUBE EXCEPT FOR 4 CKTS.
  - POSITION OF CAP TO BE LOCATED AS SHOWN.
  - IRREGULAR CIRCUIT CUTOFF WITHIN BREAKAWAY SECTION IS PERMISSIBLE. CUTTING OR CHIPPING OF THE MAIN BODY IS NOT ACCEPTABLE.
  - PACKAGING SPECIFICATION REFER TO  
TUBE : PK-89990-565  
TAPE & REEL : PK-87933-300
  - PRODUCT SPECIFICATION: 879330001\_PS
  - MATED SERIES: 78120 EXCEPT FOR FULL TIN PLATING FINISH
  - PARTS CONFORMS TO CLASS "B" REQUIREMENT TO COSMETIC SPECIFICATION PS-45499-002

THIS DRAWING CONTAINS INFORMATION THAT IS PROPRIETARY TO MOLEX ELECTRONIC TECHNOLOGIES, LLC AND SHOULD NOT BE USED WITHOUT WRITTEN PERMISSION		CURRENT REV DESC:		<b>molex</b>	
DIMENSION UNITS	SCALE				
mm	NTS			1.27MM PITCH SMT HEADER WITH CAP PACKED IN TUBE	
GENERAL TOLERANCES (UNLESS SPECIFIED)				PRODUCT CUSTOMER DRAWING	
ANGULAR TOL	± 3.0 °			DOCUMENT NUMBER	
4 PLACES	±	EC NO: 743277		SD-87933-0001	
3 PLACES	±	DRWN: DANUSA	2022/11/18	DOC TYPE	DOC PART
2 PLACES	± 0.2	CHK'D: SUAIFR	2023/03/22	PSD	000
1 PLACE	±	APPR: MRAMAKRISHNA	2023/03/23	C5	
0 PLACES	±	INITIAL REVISION:		REVISION	
DRAFT WHERE APPLICABLE MUST REMAIN WITHIN DIMENSIONS		DRWN: SCHEONG	2016/09/14		
THIRD ANGLE PROJECTION		APPR: SCHEONG	2016/11/10		
DRAWING		SERIES	MATERIAL NUMBER	CUSTOMER	
A3-SIZE		87933	SEE TABLE	GENERAL MARKET	
SHEET NUMBER		2 OF 6			

10		9		8		7		6		5		4		3		2		1	
P/N WITH CAP PACKED IN T&R	TOOLED	NOT TOOLED	P/N WITH CAP PACKED IN TUBE	PEG	CKT SIZE	PLATING OPTIONS	DIM. M	P/N WITH CAP PACKED IN T&R	TOOLED	NOT TOOLED	P/N WITH CAP PACKED IN TUBE	P/N WITHOUT CAP PACKED IN T&R	PEG	CKT SIZE	PLATING OPTIONS	DIM. M			
87933-0422		X	-	N	04	1	1.65	87933-0828		X	87933-0818	-	N	08	4	3.05			
87933-0438		X	-	N	04	2	1.65	87933-0824	X		87933-0823	-	N	08	5	3.05			
87933-0439		X	-	N	04	3	1.65	87933-1022	X		87933-1007	-	N	10	1	1.65			
87933-0440		X	-	N	04	4	1.65	87933-1038	X		87933-1008	-	N	10	2	1.65			
87933-0446		X	-	N	04	5	1.65	87933-1039	X		87933-1009	-	N	10	3	1.65			
87933-0441		X	-	N	04	1	1.91	87933-1040	X		87933-1010	-	N	10	4	1.65			
87933-0442		X	-	N	04	2	1.91	87933-1046	X		87933-1045	-	N	10	5	1.65			
87933-0443		X	-	N	04	3	1.91	87933-1041	X		87933-1011	-	N	10	1	1.91			
87933-0444		X	-	N	04	4	1.91	87933-1042	X		87933-1012	-	N	10	2	1.91			
87933-0448		X	-	N	04	5	1.91	87933-1043	X		87933-1013	-	N	10	3	1.91			
87933-0425		X	-	N	04	1	3.05	87933-1044	X		87933-1014	-	N	10	4	1.91			
87933-0426		X	-	N	04	2	3.05	87933-1048	X		87933-1047	-	N	10	5	1.91			
87933-0427		X	-	N	04	3	3.05	87933-1025	X		87933-1015	-	N	10	1	3.05			
87933-0428		X	-	N	04	4	3.05	87933-1026	X		87933-1016	-	N	10	2	3.05			
87933-0424		X	-	N	04	5	3.05	87933-1021	X		87933-1017	-	N	10	3	3.05			
87933-0622	X		87933-0607	N	06	1	1.65	87933-1028	X		87933-1018	C5 87933-1058	N	10	4	3.05			
87933-0638	X		87933-0608	N	06	2	1.65	87933-1024	X		87933-1023	-	N	10	5	3.05			
87933-0639	X		87933-0609	N	06	3	1.65	87933-1237		X	87933-1252	-	N	12	1	1.65			
87933-0640	X		87933-0610	N	06	4	1.65	87933-1238		X	87933-1258	-	N	12	2	1.65			
87933-0646	X		87933-0645	N	06	5	1.65	87933-1239		X	87933-1259	-	N	12	3	1.65			
87933-0641	X		87933-0611	N	06	1	1.91	87933-1240		X	87933-1260	-	N	12	4	1.65			
87933-0642	X		87933-0612	N	06	2	1.91	87933-1246		X	87933-1245	-	N	12	5	1.65			
87933-0643	X		87933-0613	N	06	3	1.91	87933-1241		X	87933-1261	-	N	12	1	1.91			
87933-0644	X		87933-0614	N	06	4	1.91	87933-1242		X	87933-1262	-	N	12	2	1.91			
87933-0648	X		87933-0647	N	06	5	1.91	87933-1243		X	87933-1263	-	N	12	3	1.91			
87933-0625	X		87933-0615	N	06	1	3.05	87933-1244		X	87933-1264	-	N	12	4	1.91			
87933-0626	X		87933-0616	N	06	2	3.05	87933-1248		X	87933-1247	-	N	12	5	1.91			
87933-0627	X		87933-0617	N	06	3	3.05	87933-1225		X	87933-1219	-	N	12	1	3.05			
87933-0628	X		87933-0618	N	06	4	3.05	87933-1229		X	87933-1220	-	N	12	2	3.05			
87933-0624	X		87933-0623	N	06	5	3.05	87933-1227		X	87933-1221	-	N	12	3	3.05			
87933-0822		X	87933-0807	N	08	1	1.65	87933-1232		X	87933-1222	-	N	12	4	3.05			
87933-0838		X	87933-0808	N	08	2	1.65	87933-1224		X	87933-1223	-	N	12	5	3.05			
87933-0839		X	87933-0809	N	08	3	1.65												
87933-0840		X	87933-0810	N	08	4	1.65												
87933-0846		X	87933-0845	N	08	5	1.65												
87933-0841		X	87933-0811	N	08	1	1.91												
87933-0842		X	87933-0812	N	08	2	1.91												
87933-0843		X	87933-0813	N	08	3	1.91												
87933-0844		X	87933-0814	N	08	4	1.91												
87933-0848		X	87933-0847	N	08	5	1.91												
87933-0825		X	87933-0815	N	08	1	3.05												
87933-0826		X	87933-0816	N	08	2	3.05												
87933-0827		X	87933-0817	N	08	3	3.05												


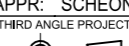
THIS DRAWING CONTAINS INFORMATION THAT IS PROPRIETARY TO MOLEX ELECTRONIC TECHNOLOGIES, LLC AND SHOULD NOT BE USED WITHOUT WRITTEN PERMISSION																			
DIMENSION UNITS		SCALE		CURRENT REV DESC:															
mm		NTS		 <p>1.27MM PITCH SMT HEADER WITH CAP PACKED IN TUBE</p> <p>PRODUCT CUSTOMER DRAWING</p>															
GENERAL TOLERANCES (UNLESS SPECIFIED)																			
ANGULAR TOL ± 3.0 °																			
4 PLACES ±		EC NO: 743277																	
3 PLACES ±		DRWN: DANUSA 2022/11/18																	
2 PLACES ± 0.2		CHK'D: SUAIFR 2023/03/22																	
1 PLACE ±		APPR: MRAMAKRISHNA 2023/03/23																	
0 PLACES ±		INITIAL REVISION:																	
DRAFT WHERE APPLICABLE MUST REMAIN WITHIN DIMENSIONS		THIRD ANGLE PROJECTION		DRAWING		SERIES		MATERIAL NUMBER		CUSTOMER		DOCUMENT NUMBER		DOC TYPE		DOC PART		REVISION	
		A3-SIZE		87933		SEE TABLE		GENERAL MARKET		SD-87933-0001		PSD		000		C5			


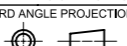
DOCUMENT STATUS	P1	RELEASE DATE	2023/03/23	05:13:54
-----------------	----	--------------	------------	----------

10	9	8	7	6			
P/N WITH CAP PACKED IN T&R	TOOLED	NOT TOOLED	P/N WITH CAP PACKED IN TUBE	PEG	CKT SIZE	PLATING OPTIONS	DIM. M
87933-1422		X	87933-1407	N	14	1	1.65
87933-1438		X	87933-1408	N	14	2	1.65
87933-1439		X	87933-1409	N	14	3	1.65
87933-1440		X	87933-1410	N	14	4	1.65
87933-1446		X	87933-1445	N	14	5	1.65
87933-1441		X	87933-1411	N	14	1	1.91
87933-1442		X	87933-1412	N	14	2	1.91
87933-1443		X	87933-1413	N	14	3	1.91
87933-1444		X	87933-1414	N	14	4	1.91
87933-1448		X	87933-1447	N	14	5	1.91
87933-1425		X	87933-1415	N	14	1	3.05
87933-1426		X	87933-1416	N	14	2	3.05
87933-1427		X	87933-1417	N	14	3	3.05
87933-1428		X	87933-1418	N	14	4	3.05
87933-1424		X	87933-1423	N	14	5	3.05
87933-1622		X	87933-1607	N	16	1	1.65
87933-1638		X	87933-1608	N	16	2	1.65
87933-1639		X	87933-1609	N	16	3	1.65
87933-1640		X	87933-1610	N	16	4	1.65
87933-1646		X	87933-1645	N	16	5	1.65
87933-1641		X	87933-1611	N	16	1	1.91
87933-1642		X	87933-1612	N	16	2	1.91
87933-1643		X	87933-1613	N	16	3	1.91
87933-1644		X	87933-1614	N	16	4	1.91
87933-1648		X	87933-1647	N	16	5	1.91
87933-1625		X	87933-1615	N	16	1	3.05
87933-1626		X	87933-1616	N	16	2	3.05
87933-1627		X	87933-1617	N	16	3	3.05
87933-1628		X	87933-1618	N	16	4	3.05
87933-1624		X	87933-1623	N	16	5	3.05
87933-1822		X	87933-1807	N	18	1	1.65
87933-1838		X	87933-1808	N	18	2	1.65
87933-1839		X	87933-1809	N	18	3	1.65
87933-1840		X	87933-1810	N	18	4	1.65
87933-1846		X	87933-1845	N	18	5	1.65
87933-1841		X	87933-1811	N	18	1	1.91
87933-1842		X	87933-1812	N	18	2	1.91
87933-1843		X	87933-1813	N	18	3	1.91
87933-1844		X	87933-1814	N	18	4	1.91
87933-1848		X	87933-1847	N	18	5	1.91
87933-1825		X	87933-1815	N	18	1	3.05
87933-1826		X	87933-1816	N	18	2	3.05
87933-1827		X	87933-1817	N	18	3	3.05

5	4	3	2	1			
P/N WITH CAP PACKED IN T&R	TOOLED	NOT TOOLED	P/N WITH CAP PACKED IN TUBE	PEG	CKT SIZE	PLATING OPTIONS	DIM. M
87933-1828	X		87933-1818	N	18	4	3.05
87933-1824	X		87933-1823	N	18	5	3.05
87933-2037	X		87933-2007	N	20	1	1.65
87933-2038	X		87933-2008	N	20	2	1.65
87933-2039	X		87933-2009	N	20	3	1.65
87933-2040	X		87933-2010	N	20	4	1.65
87933-2046	X		87933-2045	N	20	5	1.65
87933-2041	X		87933-2011	N	20	1	1.91
87933-2042	X		87933-2012	N	20	2	1.91
87933-2043	X		87933-2013	N	20	3	1.91
87933-2044	X		87933-2014	N	20	4	1.91
87933-2048	X		87933-2047	N	20	5	1.91
87933-2025	X		87933-2015	N	20	1	3.05
87933-2026	X		87933-2016	N	20	2	3.05
87933-2027	X		87933-2017	N	20	3	3.05
87933-2021	X		87933-2018	N	20	4	3.05
87933-2024	X		87933-2023	N	20	5	3.05
87933-2237		X	87933-2207	N	22	1	1.65
87933-2238		X	87933-2208	N	22	2	1.65
87933-2239		X	87933-2209	N	22	3	1.65
87933-2240		X	87933-2210	N	22	4	1.65
87933-2246		X	87933-2245	N	22	5	1.65
87933-2241		X	87933-2211	N	22	1	1.91
87933-2242		X	87933-2212	N	22	2	1.91
87933-2243		X	87933-2213	N	22	3	1.91
87933-2244		X	87933-2214	N	22	4	1.91
87933-2248		X	87933-2247	N	22	5	1.91
87933-2225		X	87933-2215	N	22	1	3.05
87933-2226		X	87933-2216	N	22	2	3.05
87933-2227		X	87933-2217	N	22	3	3.05
87933-2228		X	87933-2218	N	22	4	3.05
87933-2224		X	87933-2223	N	22	5	3.05

THIS DRAWING CONTAINS INFORMATION THAT IS PROPRIETARY TO MOLEX ELECTRONIC TECHNOLOGIES, LLC AND SHOULD NOT BE USED WITHOUT WRITTEN PERMISSION													
DIMENSION UNITS		SCALE		CURRENT REV DESC:									
mm		NTS											
GENERAL TOLERANCES (UNLESS SPECIFIED)				EC NO: 743277 DRWN: DANUSA 2022/11/18 CHK'D: SUAIFR 2023/03/22 APPR: MRAMAKRISHNA 2023/03/23 INITIAL REVISION: DRWN: SCHEONG 2016/09/14 APPR: SCHEONG 2016/11/10				1.27MM PITCH SMT HEADER WITH CAP PACKED IN TUBE					
ANGULAR TOL ± 3.0°								PRODUCT CUSTOMER DRAWING					
4 PLACES ±								DOCUMENT NUMBER		DOC TYPE		DOC PART	
3 PLACES ±								SD-87933-0001		PSD		000	
2 PLACES ± 0.2								REVISION		C5			
1 PLACE ±													
0 PLACES ±													
DRAFT WHERE APPLICABLE MUST REMAIN WITHIN DIMENSIONS			THIRD ANGLE PROJECTION		DRAWING		SERIES		MATERIAL NUMBER				
					A3-SIZE		87933		SEE TABLE				
							GENERAL MARKET		SHEET NUMBER				
									4 OF 6				

10	9	8	7	6	5	4	3	2	1
P/N WITH CAP PACKED IN T&R	TOOLED	NOT TOOLED	P/N WITH CAP PACKED IN TUBE	PEG	CKT SIZE	PLATING OPTIONS	DIM. M		
87933-2437		X	87933-2407	N	24	1	1.65		
87933-2438		X	87933-2408	N	24	2	1.65		
87933-2439		X	87933-2409	N	24	3	1.65		
87933-2440		X	87933-2410	N	24	4	1.65		
87933-2446		X	87933-2445	N	24	5	1.65		
87933-2441		X	87933-2411	N	24	1	1.91		
87933-2442		X	87933-2412	N	22	2	1.91		
87933-2443		X	87933-2413	N	24	3	1.91		
87933-2444		X	87933-2414	N	24	4	1.91		
87933-2448		X	87933-2447	N	24	5	1.91		
87933-2425		X	87933-2415	N	24	1	3.05		
87933-2426		X	87933-2416	N	24	2	3.05		
87933-2427		X	87933-2417	N	24	3	3.05		
87933-2428		X	87933-2418	N	24	4	3.05		
87933-2424		X	87933-2423	N	24	5	3.05		

THIS DRAWING CONTAINS INFORMATION THAT IS PROPRIETARY TO MOLEX ELECTRONIC TECHNOLOGIES, LLC AND SHOULD NOT BE USED WITHOUT WRITTEN PERMISSION										
DIMENSION UNITS	SCALE	CURRENT REV DESC:								
mm	NTS									
GENERAL TOLERANCES (UNLESS SPECIFIED)		EC NO: 743277 DRWN: DANUSA 2022/11/18 CHK'D: SUAIFR 2023/03/22 APPR: MRAMAKRISHNA 2023/03/23					1.27MM PITCH SMT HEADER WITH CAP PACKED IN TUBE			
ANGULAR TOL	± 3.0 °						PRODUCT CUSTOMER DRAWING			
4 PLACES	±						DOCUMENT NUMBER			
3 PLACES	±						SD-87933-0001			
2 PLACES	± 0.2						DOC TYPE			
1 PLACE	±	INITIAL REVISION:					DOC PART			
0 PLACES	±	DRWN: SCHEONG 2016/09/14					REVISION			
DRAFT WHERE APPLICABLE MUST REMAIN WITHIN DIMENSIONS		THIRD ANGLE PROJECTION		DRAWING	SERIES	MATERIAL NUMBER	CUSTOMER	SHEET NUMBER		
				A3-SIZE	87933	SEE TABLE	GENERAL MARKET	5 OF 6		

DOCUMENT STATUS	P1	RELEASE DATE	2023/03/23	05:13:54
-----------------	----	--------------	------------	----------

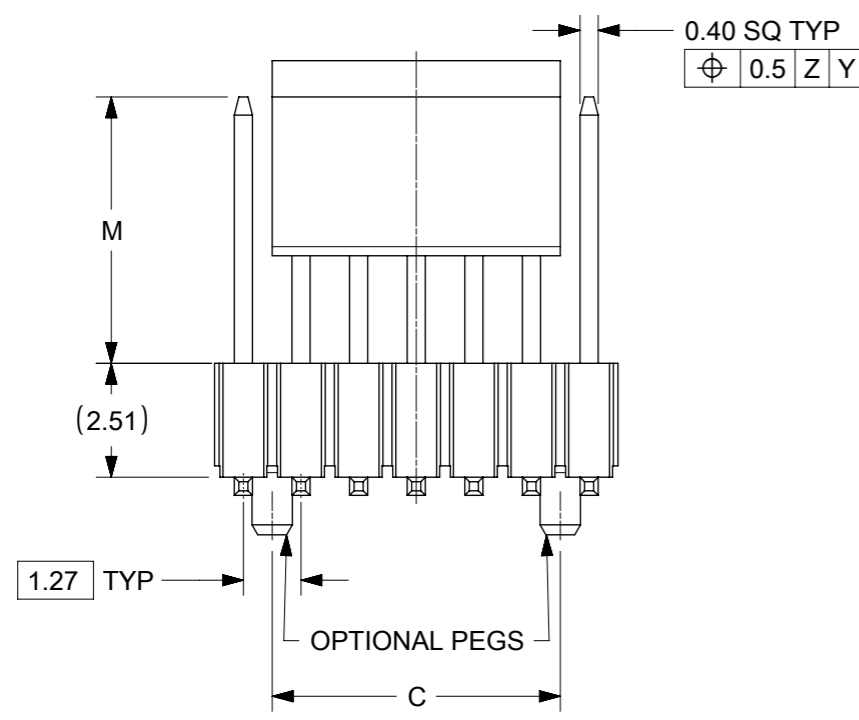
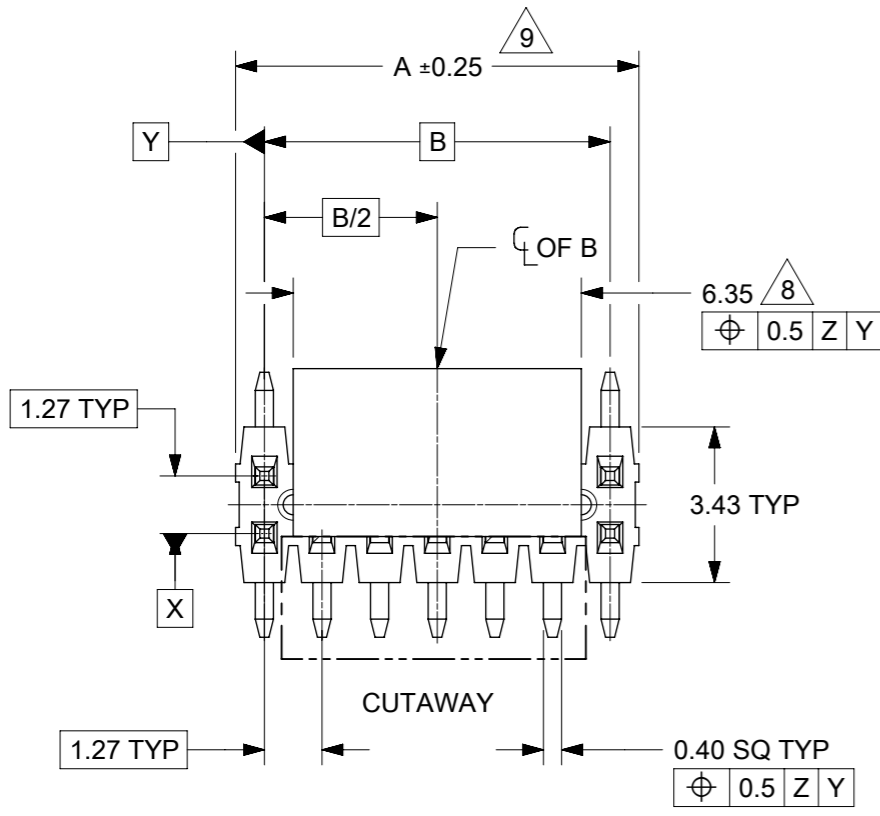


BOARD TO BOARD (BTB) DISTANCE

HEADER	MATES WITH (RECEPTACLE)	BTB DIST.	PICTORIAL VIEW
87933	78120	7.57	

THIS DRAWING CONTAINS INFORMATION THAT IS PROPRIETARY TO MOLEX ELECTRONIC TECHNOLOGIES, LLC AND SHOULD NOT BE USED WITHOUT WRITTEN PERMISSION											
DIMENSION UNITS	SCALE	CURRENT REV DESC:									
mm	NTS										
GENERAL TOLERANCES (UNLESS SPECIFIED)		EC NO: 743277 DRWN: DANUSA 2022/11/18 CHK'D: SUAIFR 2023/03/22 APPR: MRAMAKRISHNA 2023/03/23				1.27MM PITCH SMT HEADER WITH CAP PACKED IN TUBE					
ANGULAR TOL ± 3.0 °						PRODUCT CUSTOMER DRAWING					
4 PLACES ±						INITIAL REVISION:		DOCUMENT NUMBER	DOC TYPE	DOC PART	REVISION
3 PLACES ±						DRWN: SCHEONG 2016/09/14		SD-87933-0001	PSD	000	C5
2 PLACES ± 0.2						APPR: SCHEONG 2016/11/10					
1 PLACE ±		DRAFT WHERE APPLICABLE MUST REMAIN WITHIN DIMENSIONS		THIRD ANGLE PROJECTION	DRAWING	SERIES	MATERIAL NUMBER	CUSTOMER	SHEET NUMBER		
0 PLACES ±					A3-SIZE	87933	SEE TABLE	GENERAL MARKET	6 OF 6		

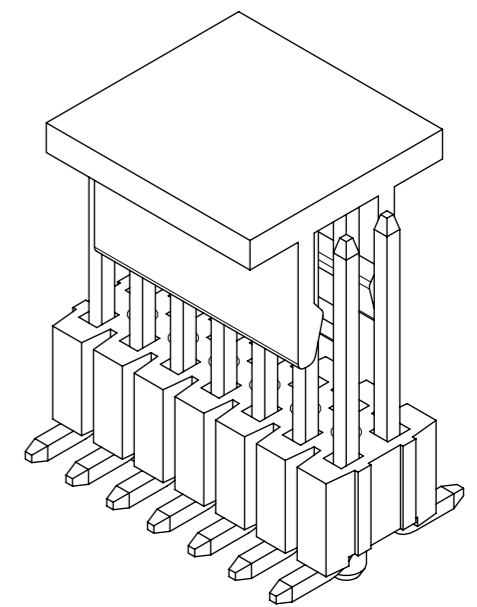
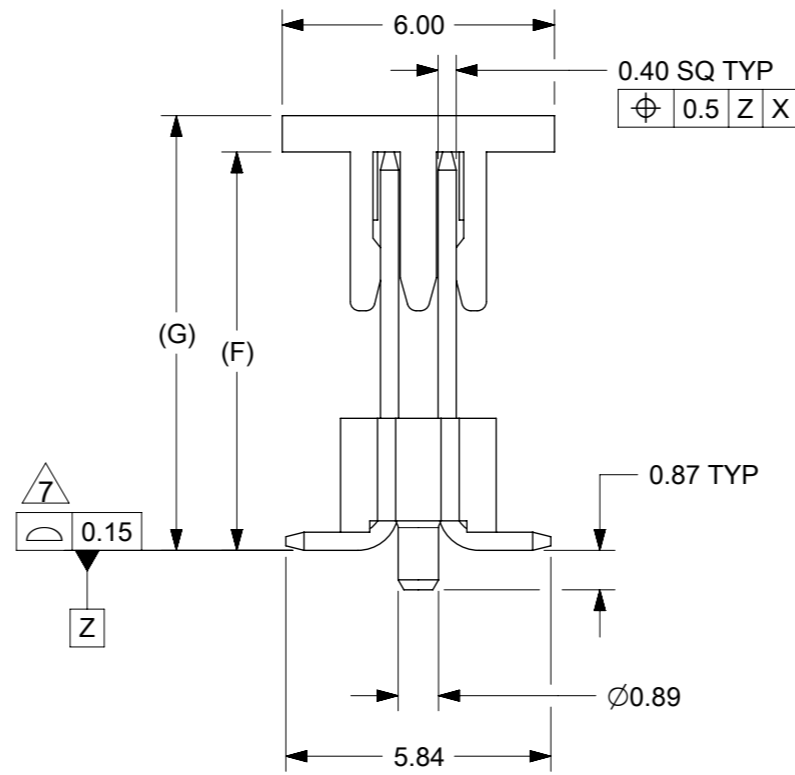
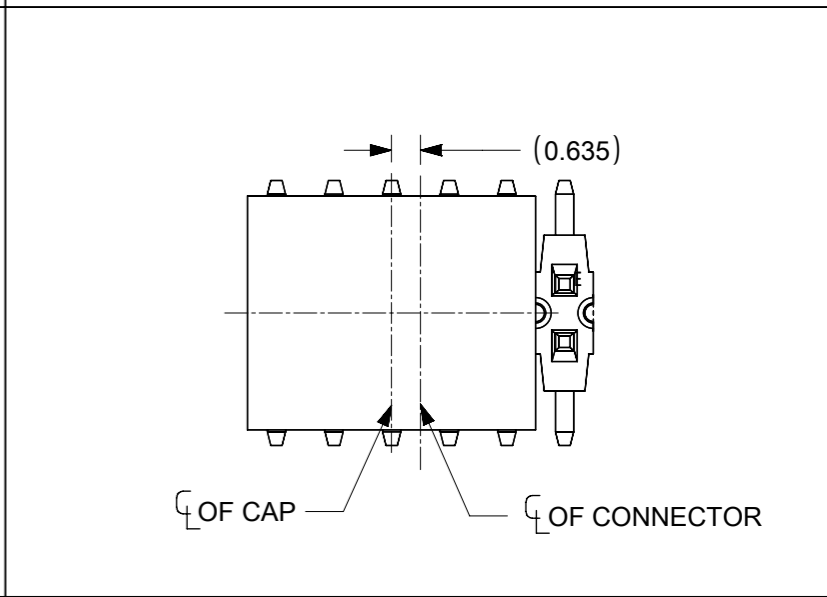
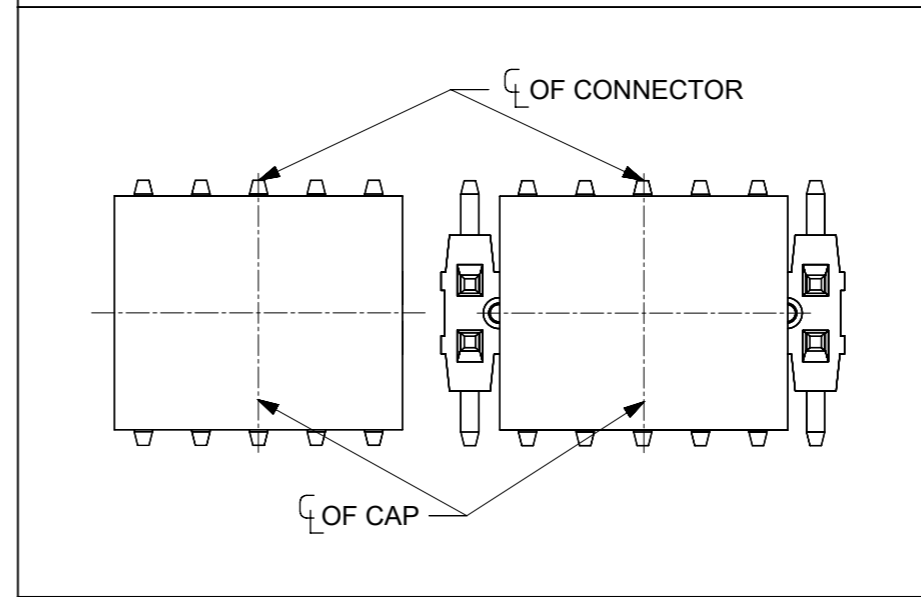
DOCUMENT STATUS	P1	RELEASE DATE	2023/03/23 05:13:54
-----------------	----	--------------	---------------------



8 CAP POSITION WITH RESPECT TO CONNECTOR

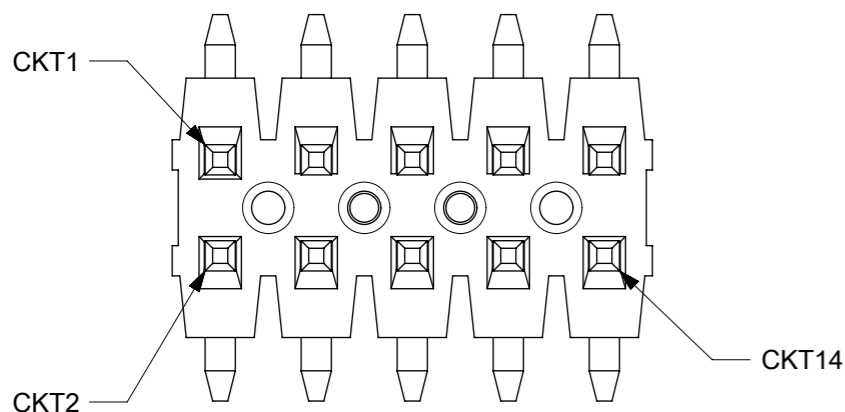
FOR CKT 10 & BELOW & CKT 14, 18, 22, 26, 30, 34, 38, 42, 46, 50, 54, 58, 62, 66, 70, 74, 78, 82, 86, 90, 94, 98

FOR 12, 16, 20, 24, 28, 32, 36, 40, 44, 48, 52, 56, 60, 64, 68, 72, 76, 80, 84, 86, 92, 96, 100

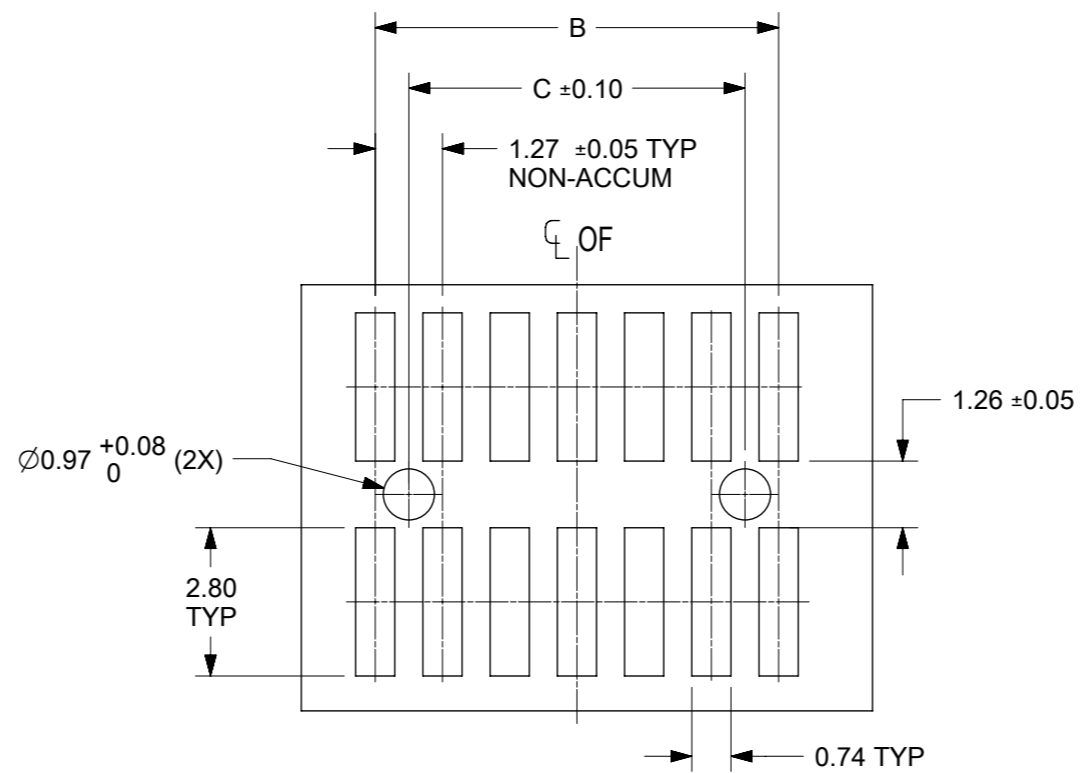
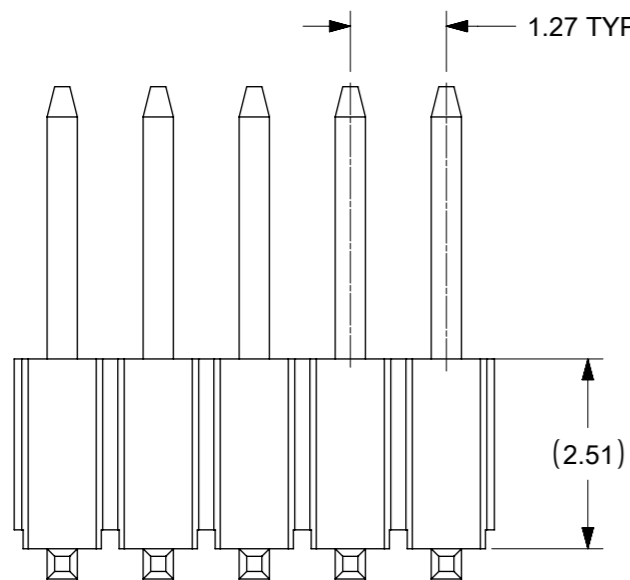


THIS DRAWING CONTAINS INFORMATION THAT IS PROPRIETARY TO MOLEX ELECTRONIC TECHNOLOGIES, LLC AND SHOULD NOT BE USED WITHOUT WRITTEN PERMISSION											
DIMENSION UNITS		SCALE		CURRENT REV DESC: REMASTERED & BTB DISTANCE UPDATE							
mm		NTS									
GENERAL TOLERANCES (UNLESS SPECIFIED)											
		MM		INCH							
4 PLACES		±		±							
3 PLACES		±		±							
2 PLACES		±		0.2		±					
1 PLACE		±		±		±					
0 PLACES		±		±		±					
ANGULAR TOL		±		3.0°							
DRAFT WHERE APPLICABLE MUST REMAIN WITHIN DIMENSIONS				THIRD ANGLE PROJECTION		DRAWING		SERIES		SHEET NUMBER	
						A3-SIZE		87933		1 OF 4	
								MATERIAL NUMBER		CUSTOMER	
								SEE TABLE		GENERAL MARKET	
								DOCUMENT NUMBER		DOC TYPE DOC PART REVISION	
								SD-87933-100		PSD 000 B1	

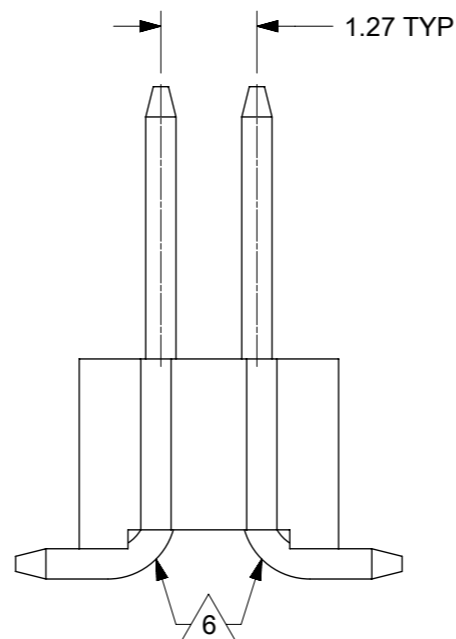
# CIRCUITS POSITION CONFIGURATION



## PART WITHOUT PEG AND CAP VERSION



## RECOMMENDED PCB LAYOUT : COMPONENT SIDE




### NOTES:

1. MATERIAL:
  - HSG: LCP, GLASS-FILLED, UL94V-0, COLOR: BLACK
  - CAP: NYLON, GLASS-FILLED, UL94V-0, COLOR: BLACK
  - PIN: 0.40MM SQ, COPPER ALLOY
2. PLATING TYPE:
  - (1) GOLD FLASH OVER  
1.25µm MIN. NICKEL OVERALL.
  - (2) GOLD FLASH ON CONTACT AND  
2.50µm MIN. TIN ON SOLDER TAIL OVER  
1.25µm MIN. NICKEL OVERALL.
  - (3) 0.38µm MIN. GOLD PLATE ON CONTACT AND  
2.00µm MIN. TIN ON SOLDER TAIL OVER  
1.25µm MIN. NICKEL OVERALL.
  - (4) 0.76µm MIN. GOLD PLATE ON CONTACT AND  
2.00µm MIN. TIN ON SOLDER TAIL OVER  
1.25µm MIN. NICKEL OVERALL.
  - (5) 2.50µm MIN. TIN OVERALL  
1.25µm MIN. NICKEL OVERALL
3. PACKAGING TYPE: SEE TABLE
4. PCB THICKNESS 1.60+/-0.10mm
5. PRODUCT SPECIFICATION: 879330001\_PS
6. BEND DEPRESSION IS ACCEPTED SO LONG AS IT DOES NOT AFFECT THE OVERALL COPLANARITY OF TAIL
7. COPLANARITY IS TO BE MEASURED BY RESTING THE SOLDER TAIL ON A FLAT SURFACE
8. CAP POSITION TO BE LOCATED AS SHOWN  
(A) REFER TO CKT SIZE ON SHEET 1  
TOP SURFACE OF CAP TO BE FLAT FOR THE PURPOSE OF PICK & PLACE BY VACUUM SUCTION NOZZLE
9. IRREGULAR CIRCUIT CUTOFF WITHIN BREAKAWAY SECTION IS PERMISSIBLE. CUTTING OR CHIPPING OF THE MAIN BODY IS NOT ACCEPTABLE
10. PIN PUSH OUT FORCE: 0.4Kgf IN EITHER DIRECTION
11. THE ABOVE CKT 14 IS FOR ILLUSTRATION PURPOSE ONLY
12. PACKAGING SPECIFICATION:
  - T&R: PK-89990-567
  - TRAY: PK-89990-568/ PK-87933-300

THIS DRAWING CONTAINS INFORMATION THAT IS PROPRIETARY TO MOLEX ELECTRONIC TECHNOLOGIES, LLC AND SHOULD NOT BE USED WITHOUT WRITTEN PERMISSION									
DIMENSION UNITS		SCALE		CURRENT REV DESC: REMASTERED & BTB DISTANCE UPDATE					
mm		NTS							
GENERAL TOLERANCES (UNLESS SPECIFIED)				EC NO: 664214		DRWN: KSUTAR		2021/05/10	
				CHK'D: ABABUPS		APPR: MRAMAKRISHNA		2021/05/18	
				INITIAL REVISION:		DRWN: SKLIM01		2007/04/24	
				APPR: KWLEE		2007/05/04			
ANGULAR TOL ± 3.0°				THIRD ANGLE PROJECTION		DRAWING		SERIES	
DRAFT WHERE APPLICABLE MUST REMAIN WITHIN DIMENSIONS						A3-SIZE		87933	
DOCUMENT STATUS				P1		RELEASE DATE		2021/05/18 14:43:05	
DOCUMENT NUMBER				DOC TYPE		DOC PART		REVISION	
SD-87933-100				PSD		000		B1	
MATERIAL NUMBER				CUSTOMER		SHEET NUMBER			
SEE TABLE				GENERAL MARKET		2 OF 4			

CKT SIZE	DIMENSION		
	A	B	C
04	2.54	1.27	-
06	3.81	2.54	-
08	5.08	3.81	-
10	6.35	5.08	3.81
12	7.62	6.35	-
14	8.89	7.62	-
16	10.16	8.89	-
18	11.43	10.16	-
20	12.70	11.43	10.16
22	13.97	12.70	-
24	15.24	13.97	-
26	16.51	15.24	-
28	17.78	16.51	-
30	19.05	17.78	16.51
32	20.32	19.05	-
34	21.59	20.32	-
36	22.86	21.59	-
38	24.13	22.86	-
40	25.40	24.13	22.86
42	26.67	25.40	-
44	27.94	26.67	-
46	29.21	27.94	-
48	30.48	29.21	-
50	31.75	30.48	29.21

PART NUMBER IN PACKAGING OPTION					CKT SIZE	PEG	PLATE OPT.	VOID POSITION	DIMENSION		
TRAY WITHOUT CAP	TRAY WITH CAP	TAPE & REEL WITH CAP	TUBE WITHOUT CAP	TUBE WITH CAP					G	F	MATING END
-	-	87933-1228	-	-	12	NO	3	-	7.21	5.96	3.05
-	-	87933-2020	-	-	20	NO	5	-	9.21	8.01	5.10
-	-	87933-5028	-	-	50	NO	3	-	7.21	5.96	3.05

THIS DRAWING CONTAINS INFORMATION THAT IS PROPRIETARY TO MOLEX ELECTRONIC TECHNOLOGIES, LLC AND SHOULD NOT BE USED WITHOUT WRITTEN PERMISSION															
DIMENSION UNITS		SCALE		CURRENT REV DESC: REMASTERED & BTB DISTANCE UPDATE				 CUSTOM HEADER 1.27MM PITCH DUAL ROW HEADER,SINGLE WAFER,SMT							
mm		NTS													
GENERAL TOLERANCES (UNLESS SPECIFIED)				EC NO: 664214 DRWN: KSUTAR 2021/05/10 CHK'D: ABABUPS 2021/05/18 APPR: MRAMAKRISHNA 2021/05/18 INITIAL REVISION: DRWN: SKLIM01 2007/04/24 APPR: KWLEE 2007/05/04				PRODUCT CUSTOMER DRAWING							
								DOCUMENT NUMBER		DOC TYPE		DOC PART		REVISION	
								SD-87933-100		PSD		000		B1	
								MATERIAL NUMBER		CUSTOMER				SHEET NUMBER	
								SEE TABLE		GENERAL MARKET				3 OF 4	

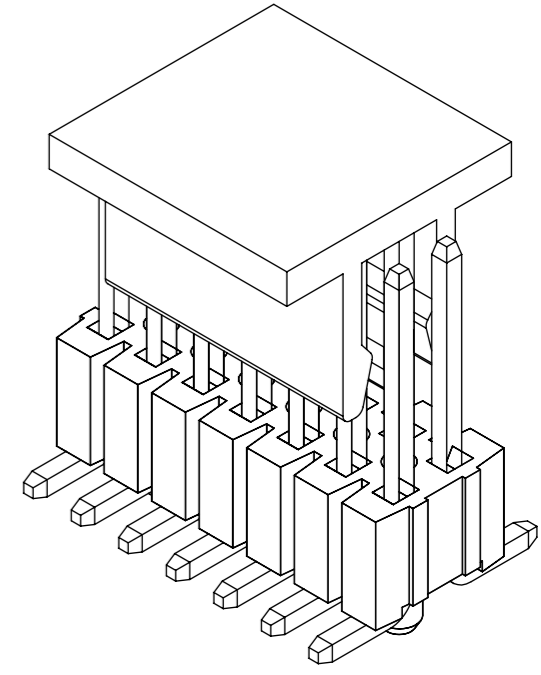
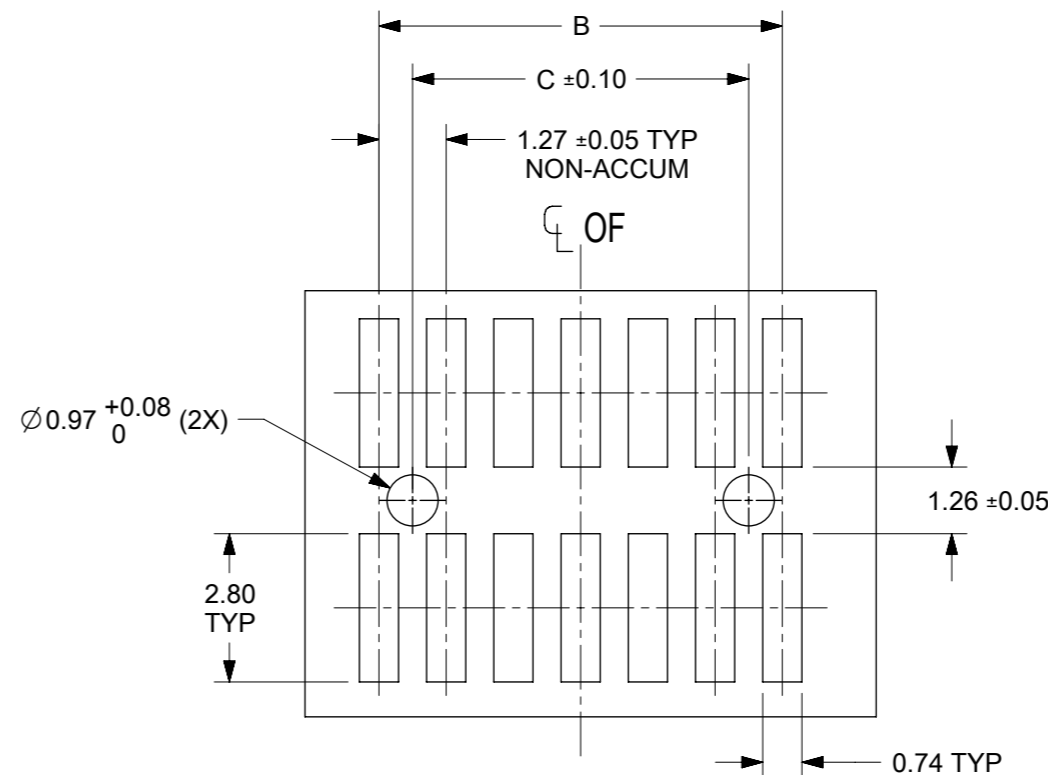
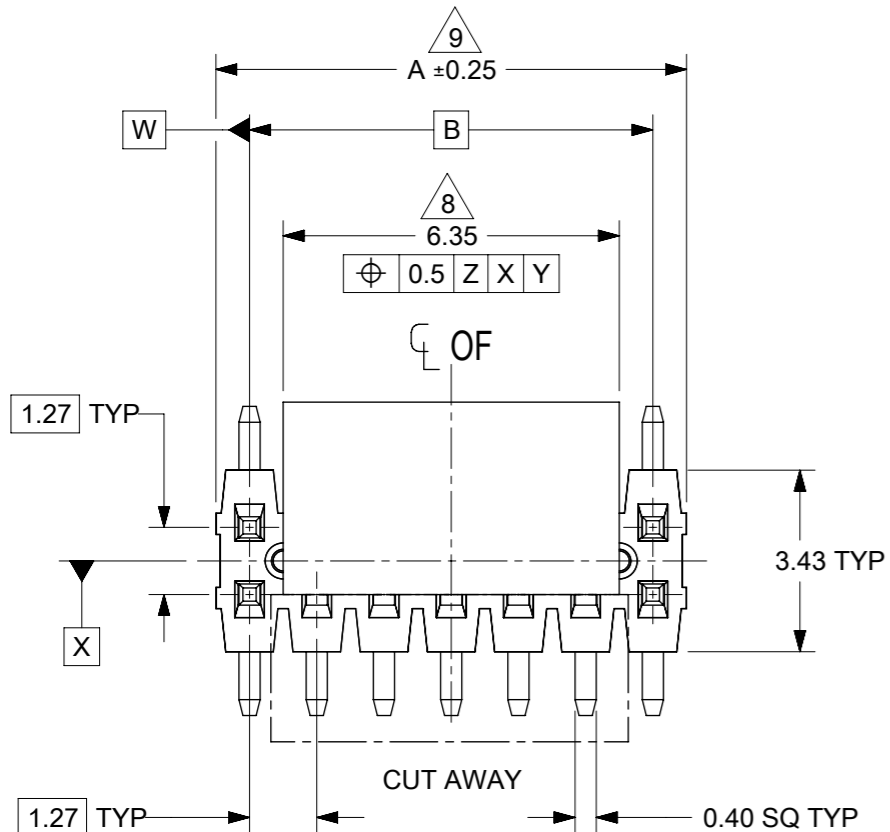
DOCUMENT STATUS	P1	RELEASE DATE	2021/05/18	14:43:05
-----------------	----	--------------	------------	----------

BOARD TO BOARD (BTB) DISTANCE

HEADER	MATES WITH (RECEPTACLE)	BTB DIST.	PICTORIAL VIEW
87933	78120	7.57	

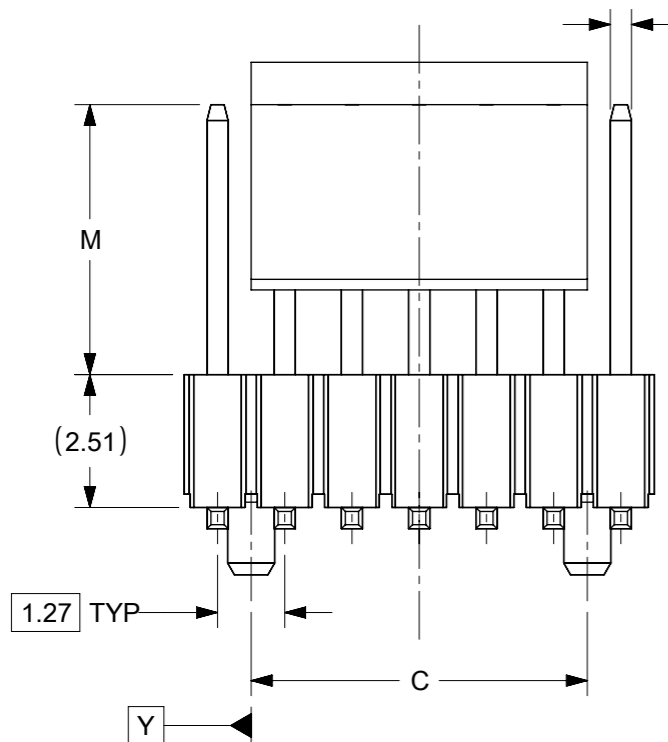
THIS DRAWING CONTAINS INFORMATION THAT IS PROPRIETARY TO MOLEX ELECTRONIC TECHNOLOGIES, LLC AND SHOULD NOT BE USED WITHOUT WRITTEN PERMISSION												
DIMENSION UNITS		SCALE		CURRENT REV DESC: REMASTERED & BTB DISTANCE UPDATE								
mm		NTS										
GENERAL TOLERANCES (UNLESS SPECIFIED)				EC NO: 664214 DRWN: KSUTAR 2021/05/10 CHK'D: ABABUPS 2021/05/18 APPR: MRAMAKRISHNA 2021/05/18 INITIAL REVISION: DRWN: SKLIM01 2007/04/24 APPR: KWLEE 2007/05/04				CUSTOM HEADER 1.27MM PITCH DUAL ROW HEADER,SINGLE WAFER,SMT				
								PRODUCT CUSTOMER DRAWING				
								DOCUMENT NUMBER		DOC TYPE	DOC PART	REVISION
								SD-87933-100		PSD	000	B1
								DRAWING	SERIES	MATERIAL NUMBER	CUSTOMER	
DRAFT WHERE APPLICABLE MUST REMAIN WITHIN DIMENSIONS				THIRD ANGLE PROJECTION		A3-SIZE	87933	SEE TABLE	GENERAL MARKET	4 OF 4		

DOCUMENT STATUS	P1	RELEASE DATE	2021/05/18	14:43:05
-----------------	----	--------------	------------	----------

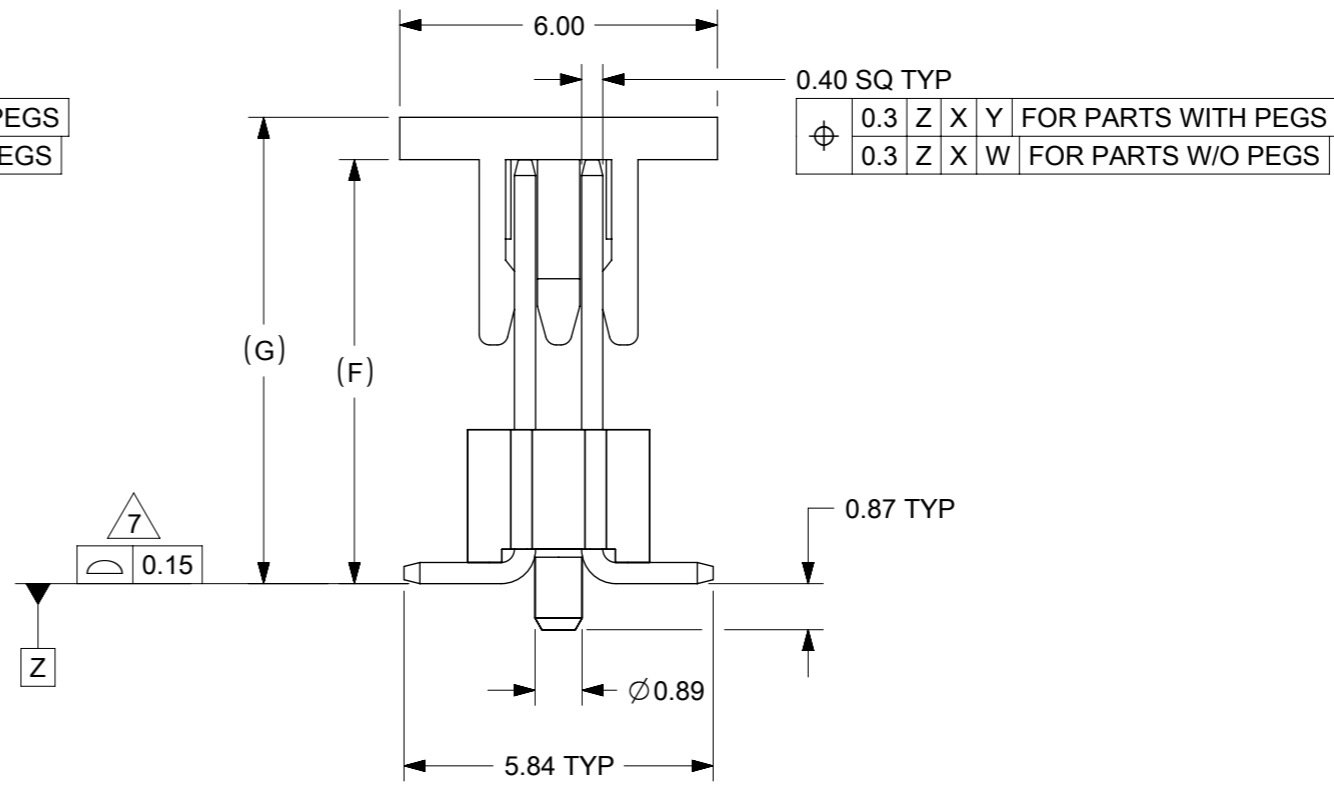


RECOMMENDED PCB LAYOUT: COMPONENT SIDE

Ø	0.3	Z	X	Y	FOR PARTS WITH PEGS
Ø	0.3	Z	X	W	FOR PARTS W/O PEGS



Ø	0.3	Z	X	Y	FOR PARTS WITH PEGS
Ø	0.3	Z	X	W	FOR PARTS W/O PEGS

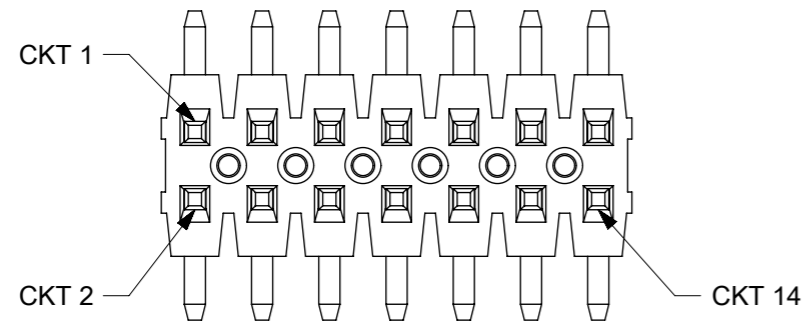


Ø	0.3	Z	X	Y	FOR PARTS WITH PEGS
Ø	0.3	Z	X	W	FOR PARTS W/O PEGS

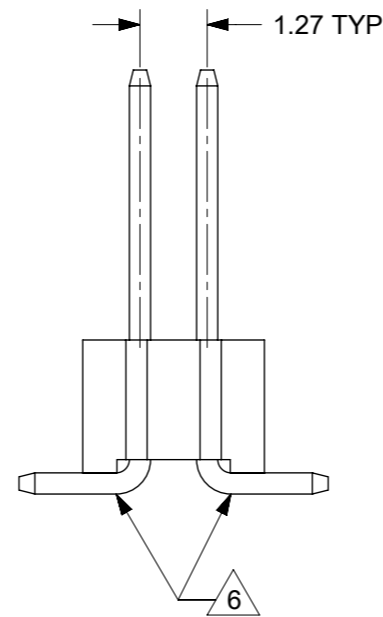
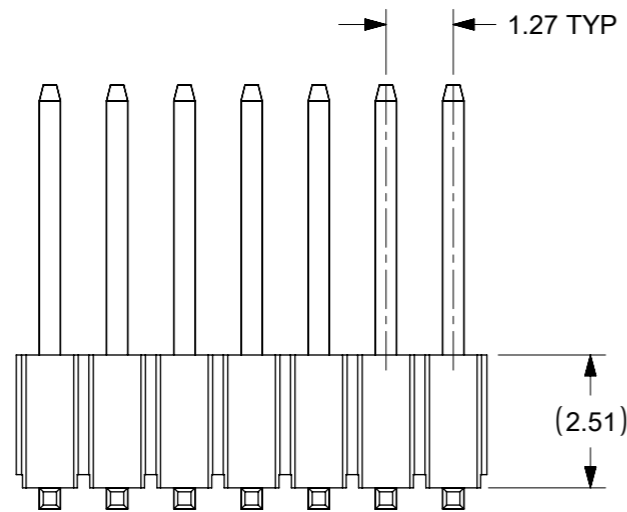
EM-87933-028

THIS DRAWING CONTAINS INFORMATION THAT IS PROPRIETARY TO MOLEX ELECTRONIC TECHNOLOGIES, LLC AND SHOULD NOT BE USED WITHOUT WRITTEN PERMISSION		CURRENT REV DESC: REMASTERED & BTB DISTANCE UPDATE		<b>molex</b>	
DIMENSION UNITS	SCALE				
MM	NTS			PRODUCT CUSTOMER DRAWING	
GENERAL TOLERANCES (UNLESS SPECIFIED)		EC NO: 664214		DOCUMENT NUMBER	
ANGULAR TOL ± 3.0°		DRWN: KSUTAR 2021/05/10		SD-87933-101	
4 PLACES ±		CHK'D: ABABUPS 2021/05/18		DOC TYPE DOC PART REVISION	
3 PLACES ±		APPR: MRAMAKRISHNA 2021/05/18		PSD 001 A	
2 PLACES ± 0.2		INITIAL REVISION:		MATERIAL NUMBER	
1 PLACE ±		DRWN: MRAMAKRISHNA 2015/05/04		CUSTOMER	
0 PLACES ±		APPR: MRAMAKRISHNA 2015/05/08		GENERAL MARKET	
DRAFT WHERE APPLICABLE MUST REMAIN WITHIN DIMENSIONS		THIRD ANGLE PROJECTION	DRAWING	SERIES	SHEET NUMBER
			A3-SIZE	87933	1 OF 4

# CIRCUITS POSITION CONFIGURATION



# PART WITHOUT PEG AND CAP VERSION



### NOTES:

1. MATERIAL:  
HSG: LCP, GLASS-FILLED, UL94V-0, COLOR: BLACK  
CAP: NYLON, GLASS-FILLED, UL94V-0, COLOR: BLACK  
PIN: 0.40MM SQ, COPPER ALLOY
2. PLATING TYPE:
  - (1) GOLD FLASH OVER  
1.25µm MIN. NICKEL OVERALL.
  - (2) GOLD FLASH ON CONTACT AND  
2.50µm MIN. TIN ON SOLDER TAIL OVER  
1.25µm MIN. NICKEL OVERALL.
  - (3) 0.38µm MIN. GOLD PLATE ON CONTACT AND  
2.00µm MIN. TIN ON SOLDER TAIL OVER  
1.25µm MIN. NICKEL OVERALL.
  - (4) 0.76µm MIN. GOLD PLATE ON CONTACT AND  
2.00µm MIN. TIN ON SOLDER TAIL OVER  
1.25µm MIN. NICKEL OVERALL.
  - (5) 2.50µm MIN. TIN OVERALL  
1.25µm MIN. NICKEL OVERALL
3. PACKAGING TYPE: SEE TABLE
4. PCB THICKNESS 1.60+/-0.10mm
5. PRODUCT SPECIFICATION: PS-87933-001
6. BEND DEPRESSION IS ACCEPTED SO LONG AS IT DOES NOT AFFECT THE OVERALL COPLANARITY OF TAIL
7. COPLANARITY IS TO BE MEASURED BY RESTING THE SOLDER TAIL ON A FLAT SURFACE
8. CAP POSITION TO BE LOCATED AT THE CENTER OF DIMENSION (A) REGARDLESS OF CIRCUIT SIZE  
TOP SURFACE OF CAP TO BE FLAT FOR THE PURPOSE OF PICK & PLACE BY VACUUM SUCTION NOZZLE
9. IRREGULAR CIRCUIT CUTOFF WITHIN BREAKAWAY SECTION IS PERMISSIBLE. CUTTING OR CHIPPING OF THE MAIN BODY IS NOT ACCEPTABLE
10. PIN PUSH OUT FORCE: 0.4KgF IN EITHER DIRECTION
11. THE ABOVE CKT 14 IS FOR ILLUSTRATION PURPOSE ONLY
12. PACKAGING SPECIFICATION:  
T&R: PK-89990-567  
TRAY: PK-89990-568

EM-87933-028

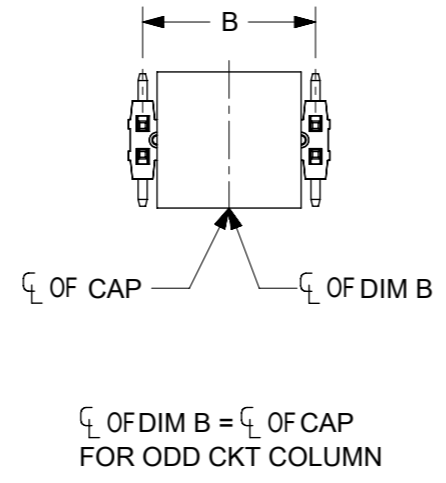
THIS DRAWING CONTAINS INFORMATION THAT IS PROPRIETARY TO MOLEX ELECTRONIC TECHNOLOGIES, LLC AND SHOULD NOT BE USED WITHOUT WRITTEN PERMISSION									
DIMENSION UNITS		SCALE		CURRENT REV DESC: REMASTERED & BTB DISTANCE UPDATE					
MM		NTS							
GENERAL TOLERANCES (UNLESS SPECIFIED)									
ANGULAR TOL ± 3.0 °									
4 PLACES ±									
3 PLACES ±									
2 PLACES ± 0.2									
1 PLACE ±									
0 PLACES ±									
DRAFT WHERE APPLICABLE MUST REMAIN WITHIN DIMENSIONS									
THIRD ANGLE PROJECTION		DRAWING		SERIES		MATERIAL NUMBER		CUSTOMER	
		A3-SIZE		87933		SEE TABLE		GENERAL MARKET	
EC NO: 664214				DRWN: KSUTAR		2021/05/10		DOCUMENT NUMBER	
CHK'D: ABABUPS				APPR: MRAMAKRISHNA		2021/05/18		DOC TYPE	
INITIAL REVISION:				DRWN: MRAMAKRISHNA		2015/05/04		DOC PART	
				APPR: MRAMAKRISHNA		2015/05/08		REVISION	
								SD-87933-101	
								PSD 001 A	
								SHEET NUMBER	
								2 OF 4	

CKT SIZE	DIMENSION		
	A	B	C
04	2.54	1.27	-
06	3.81	2.54	-
08	5.08	3.81	-
10	6.35	5.08	3.81
12	7.62	6.35	-
14	8.89	7.62	-
16	10.16	8.89	-
18	11.43	10.16	-
20	12.70	11.43	10.16
22	13.97	12.70	-
24	15.24	13.97	-
26	16.51	15.24	-
28	17.78	16.51	-
30	19.05	17.78	16.51
32	20.32	19.05	-
34	21.59	20.32	-
36	22.86	21.59	-
38	24.13	22.86	-
40	25.40	24.13	22.86
42	26.67	25.40	-
44	27.94	26.67	-
46	29.21	27.94	-
48	30.48	29.21	-
50	31.75	30.48	29.21
64	40.64	39.37	-

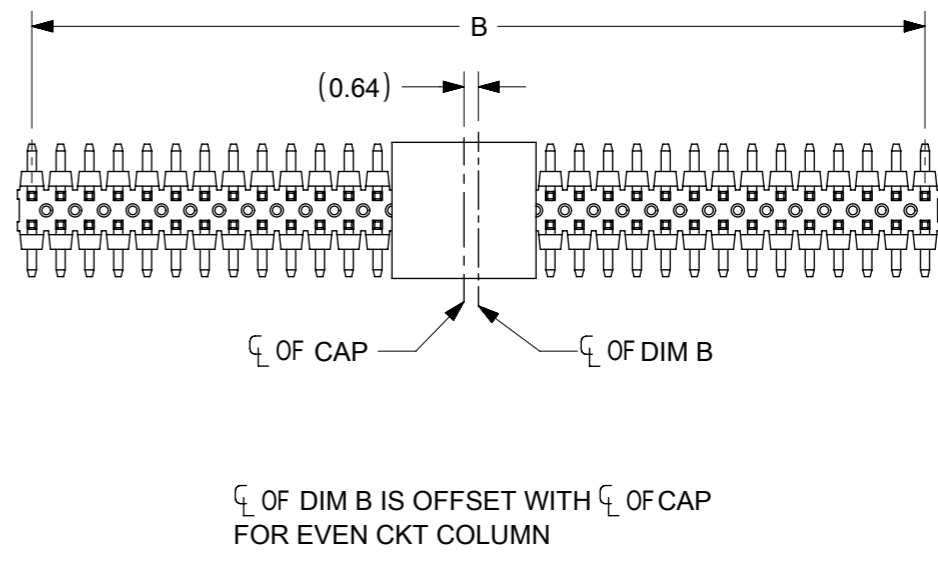
PART NUMBER IN PACKAGIN OPTION					CKT SIZE	PEG	PLATE OPT.	VOID POSITION	DIMENSION		
TRAY WITHOUT CAP	TRAY WITH CAP	TAPE & REEL WITH CAP W/O PEG	TUBE WITHOUT CAP	TUBE WITH CAP					G	F	MATING END
-	-	87933-6400	-	-	64	NO	1	-	7.21	5.96	3.05

CAD POSITION ILLUSTRATION FOR REFERENCE

FOR ILLUSTRATION 14 CKT AS SHOWN



FOR ILLUSTRATION 64 CKT AS SHOWN

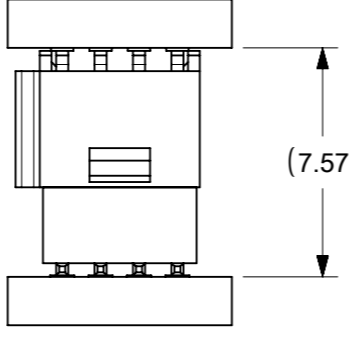



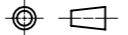
EM-87933-028

THIS DRAWING CONTAINS INFORMATION THAT IS PROPRIETARY TO MOLEX ELECTRONIC TECHNOLOGIES, LLC AND SHOULD NOT BE USED WITHOUT WRITTEN PERMISSION											
DIMENSION UNITS	SCALE	CURRENT REV DESC: REMASTERED & BTB DISTANCE UPDATE									
MM	NTS	<p>CUSTOM HEADER 1.27MM PITCH DUAL ROW HEADER,SINGLE WAFER,SMT</p>									
GENERAL TOLERANCES (UNLESS SPECIFIED)											
ANGULAR TOL	± 3.0 °	PRODUCT CUSTOMER DRAWING									
4 PLACES	±	EC NO: 664214	2021/05/10								
3 PLACES	±	DRWN: KSUTAR	2021/05/18								
2 PLACES	± 0.2	CHK'D: ABABUPS	2021/05/18								
1 PLACE	±	APPR: MRAMAKRISHNA	2021/05/18								
0 PLACES	±	INITIAL REVISION:		DOCUMENT NUMBER							
DRAFT WHERE APPLICABLE MUST REMAIN WITHIN DIMENSIONS		THIRD ANGLE PROJECTION		DRAWING	SERIES	MATERIAL NUMBER	CUSTOMER	DOC TYPE	DOC PART	REVISION	
				A3-SIZE	87933	SEE TABLE	GENERAL MARKET	PSD	001	A	



BOARD TO BOARD (BTB) DISTANCE

HEADER	MATES WITH (RECEPTACLE)	BTB DIST.	PICTORIAL VIEW
87933	78120	7.57	

THIS DRAWING CONTAINS INFORMATION THAT IS PROPRIETARY TO MOLEX ELECTRONIC TECHNOLOGIES, LLC AND SHOULD NOT BE USED WITHOUT WRITTEN PERMISSION									
DIMENSION UNITS	SCALE	CURRENT REV DESC: REMASTERED & BTB DISTANCE UPDATE							
MM	NTS								
GENERAL TOLERANCES (UNLESS SPECIFIED)		EC NO: 664214			CUSTOM HEADER 1.27MM PITCH DUAL ROW HEADER,SINGLE WAFER,SMT				
ANGULAR TOL ± 3.0 °		DRWN: KSUTAR 2021/05/10							
4 PLACES ±		CHK'D: ABABUPS 2021/05/18			PRODUCT CUSTOMER DRAWING				
3 PLACES ±		APPR: MRAMAKRISHNA 2021/05/18							
2 PLACES ± 0.2		INITIAL REVISION:			DOCUMENT NUMBER		DOC TYPE	DOC PART	REVISION
1 PLACE ±		DRWN: MRAMAKRISHNA 2015/05/04			SD-87933-101		PSD	001	A
0 PLACES ±		APPR: MRAMAKRISHNA 2015/05/08			MATERIAL NUMBER		CUSTOMER		SHEET NUMBER
DRAFT WHERE APPLICABLE MUST REMAIN WITHIN DIMENSIONS		THIRD ANGLE PROJECTION	DRAWING	SERIES	SEE TABLE		GENERAL MARKET		4 OF 4
			A3-SIZE	87933					

DOCUMENT STATUS	P1	RELEASE DATE	2021/05/18	14:43:06
-----------------	----	--------------	------------	----------