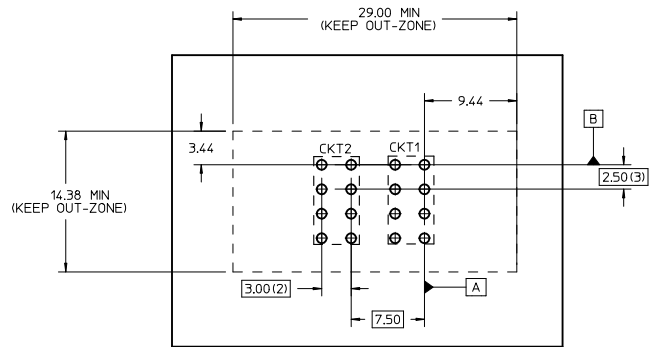


SECTION Z-Z

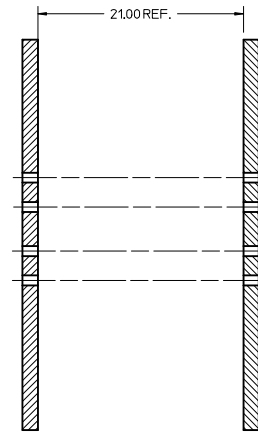
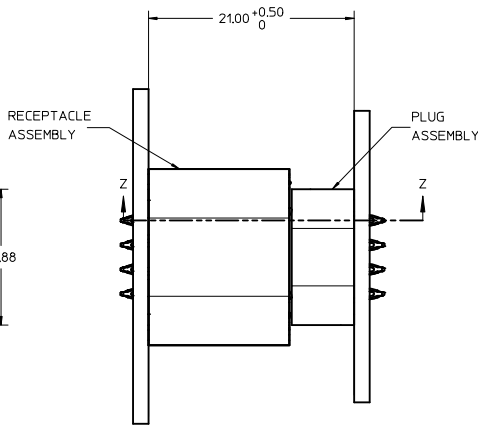
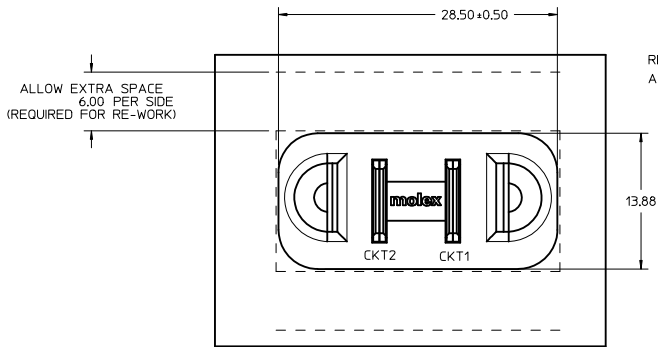
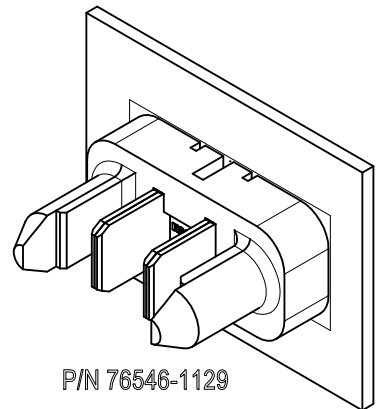
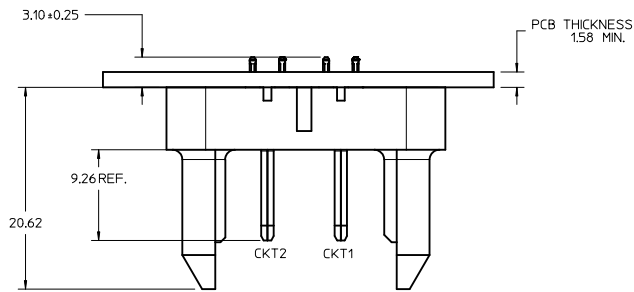
NOTES:

- MATERIAL:
 - HOUSINGS: LCP-UL94 V-0, COLOR: BLACK.
 - TERMINALS: COPPER ALLOY.
 - PLATING: 0.000127 NICKEL OVERALL WITH 0.00254 SELECTIVE MATTE TIN ON COMPLIANT PINS, AND 0.000762 SELECTIVE GOLD ON CONTACT AREA.
- PACKAGING ASSEMBLIES TO BE TRAY PACKED, STD. QUANTITY: TBD.
- PC BOARD REQUIRES THRU HOLES. REFER TO PS-46436-100 FOR DETAILS.
- PRODUCT SPEC.: PS-46436-100.
- APPLICATION SPEC.: AS-46436-100.
- SEE PRODUCT SPEC FOR MEET RoHS REQUIREMENTS.
- ASSEMBLY MATES WITH MOLEX VERTICAL RECEPTACLE ASSEMBLY, P/N 46562-1129.



RECOMMENDED PCB LAYOUT AND KEEP-OUT ZONE

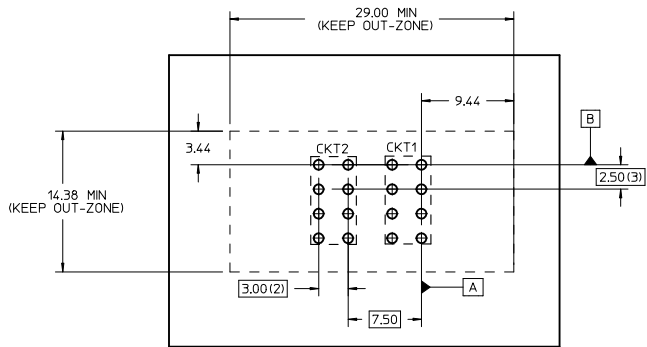
PRELIMINARY IEC NO: UCP2010-2269 DRAWN BY: MKARADIMAS 2010/03/25 CHECKED BY: CHYKROKOSTIC 2010/03/25 APPR: APATEL 2010/04/29	QUALITY SYMBOLS	GENERAL TOLERANCES (UNLESS SPECIFIED)	DIMENSION STYLE	SCALE	DESIGN UNITS	THIRD ANGLE PROJECTION
	▽=0	mm INCH	MM ONLY	4:1	METRIC	☉
	▽=0	4 PLACES ± --- ± ---	DRAWN BY: MKARADIMAS 2010/03/25	DATE	TITLE	VERTICAL PLUG ASSY
	▽=0	3 PLACES ± --- ± ---	CHECKED BY: BKOSTIC 2010/03/25	DATE	MOLEX INCORPORATED	2 AC, PRESS -FIT TEN60 FAMILY
	ANGULAR ±1/2°	DRAFT WHERE APPLICABLE MUST REMAIN WITHIN DIMENSIONS	APPROVED BY: APATEL 2010/04/29	DATE	MATERIAL NO: 76546-1129	DOCUMENT NO: SD-76546-1129
			SIZE D			SHEET NO: 1 OF 1



SECTION Z-Z

NOTES:

- MATERIAL:
 - HOUSINGS: LCP-UL94 V-0, COLOR: BLACK.
 - TERMINALS: COPPER ALLOY.
 - PLATING: 0.000127 NICKEL OVERALL WITH 0.00254 SELECTIVE MATTE TIN ON COMPLIANT PINS, AND 0.000762 SELECTIVE GOLD ON CONTACT AREA.
- PACKAGING ASSEMBLIES TO BE TRAY PACKED, STD. QUANTITY: TBD.
- PC BOARD REQUIRES THRU HOLES. REFER TO PS-46436-100 FOR DETAILS.
- PRODUCT SPEC.: PS-46436-100.
- APPLICATION SPEC.: AS-46436-100.
- SEE PRODUCT SPEC FOR MEET RoHS REQUIREMENTS.
- ASSEMBLY MATES WITH MOLEX VERTICAL RECEPTACLE ASSEMBLY, P/N 46562-1129.



RECOMMENDED PCB LAYOUT AND KEEP-OUT ZONE

PRELIMINARY IEC NO: UCF2010-2269 DRAWN BY: MKARADIMAS 2010/03/25 CHECKED BY: CHYKROKOSTIC 2010/03/25 APPR: APATEL 2010/04/29	QUALITY SYMBOLS	GENERAL TOLERANCES (UNLESS SPECIFIED)	DIMENSION STYLE	SCALE	DESIGN UNITS	THIRD ANGLE PROJECTION
	▽=0	mm INCH	MM ONLY	4:1	METRIC	☉
	▽=0	4 PLACES ± --- ± ---	DATE	DATE	TITLE	
	▽=0	3 PLACES ± --- ± ---	2010/03/25	2010/03/25	VERTICAL PLUG ASSY 2 AC, PRESS -FIT TEN60 FAMILY	
	1 PLACE ± 0.25 ± ---	ANGULAR ±1/2°	APATEL 2010/04/29	MOLEX INCORPORATED		
	DRAFT WHERE APPLICABLE MUST REMAIN WITHIN DIMENSIONS		MATERIAL NO. 76546-1129	DOCUMENT NO. SD-76546-1129		SHEET NO. 1 OF 1