

4

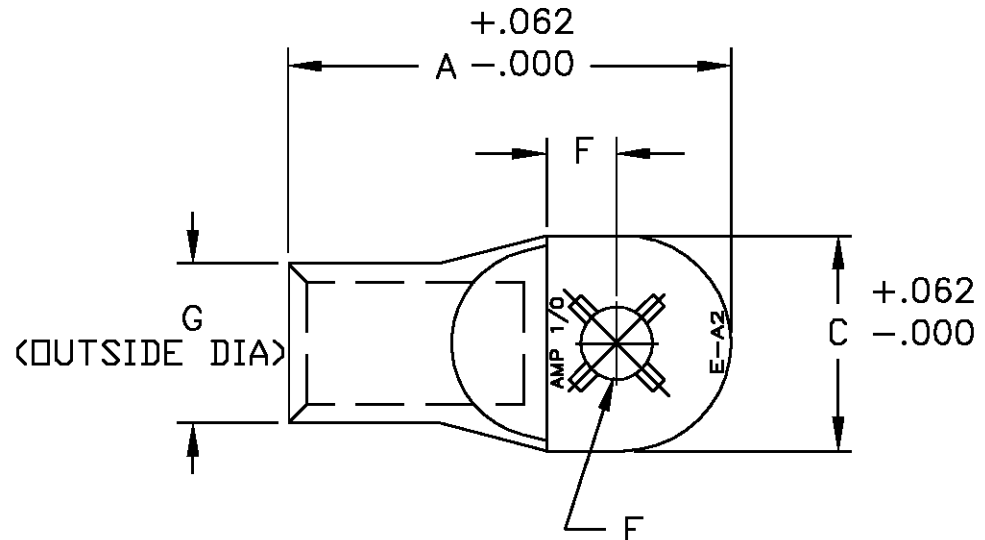
3

2

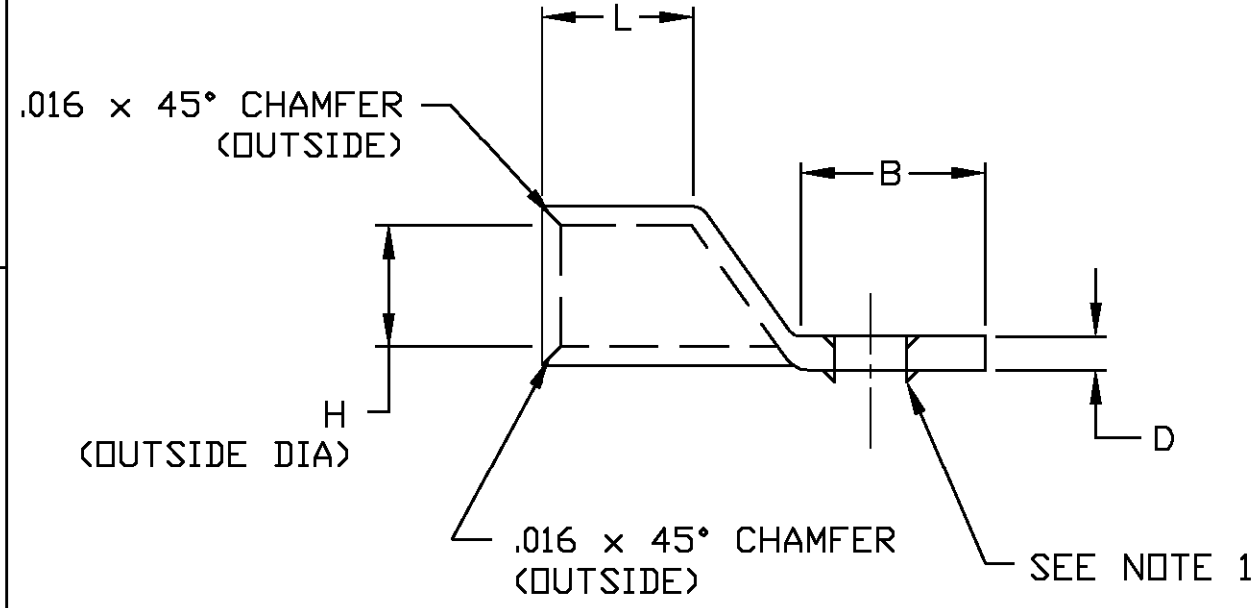
1

THIS DRAWING IS UNPUBLISHED. RELEASED FOR PUBLICATION .19  
 © COPYRIGHT 19 BY AMP INCORPORATED. ALL RIGHTS RESERVED.

LOC	DIST	REVISIONS			
P	LTR	DESCRIPTION	DATE	DWN	APVD
AA	27	B	REDWN & REV; OG1Z-0042-99	12MAY00	LMH/LHS



1. LOCKING LANCE FOR P/N -2 AND -7 ONLY.



.250	.750	.469	.609	.438	Ø.266	.141	.86	.938	2.125	606716-7
.250	.750	.469	.609	.438	Ø.266	.141	.86	.938	2.125	606716-6
.375	.750	.469	.609	.438	Ø.391	.141	.86	.938	2.125	606716-5
.500	.750	.469	.609	.500	Ø.516	.141	.86	.938	2.125	606716-4
.438	.750	.469	.609	.438	Ø.453	.141	.86	.938	2.125	606716-3
.375	.750	.469	.609	.438	Ø.391	.141	.86	.938	2.125	606716-2
.312	.750	.469	.609	.438	Ø.328	.141	.86	.938	2.125	606716-1
BOLT HOLE SIZE	L	H	G	F	E	D	C	B	A	PART NUMBER

THIS DRAWING IS A CONTROLLED DOCUMENT.		DWN L. HALL 18APR00	AMP Incorporated Harrisburg PA 17105-3608	
DIMENSIONS: INCHES		CHK L.H. SMITH 12MAY00		
TOLERANCES UNLESS OTHERWISE SPECIFIED:		APVD B. ANTHONY 12MAY00	NAME AMP TUBULAR TERMINAL 1/0 (ROUND TONGUE)	
		PRODUCT SPEC	RESTRICTED TO	
0 PLC ± 1 PLC ± 2 PLC ± .02 3 PLC ± .005 4 PLC ± .0005 ANGLES ± 3'		APPLICATION SPEC	SIZE A3	
MATERIAL HIGH CONDUCTIVITY WROUGHT COPPER		WEIGHT -	CAGE CODE 00779	
FINISH ELECTRO TIN PLATE		DRAWING NO C-606716		REV B
CUSTOMER DRAWING			SCALE NTS	SHEET 1 OF 1

AMP 1470-19 REV 23FEB95