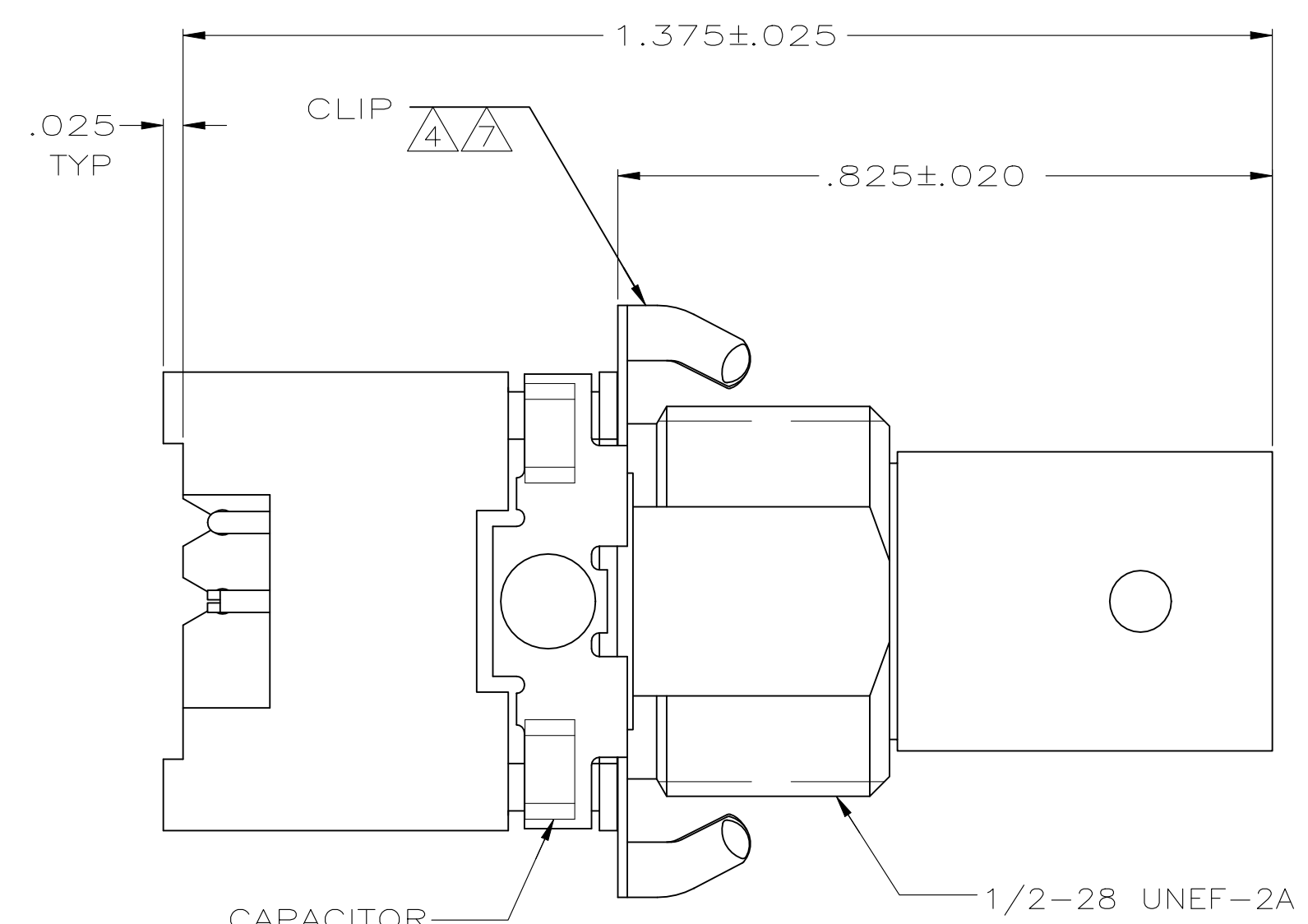
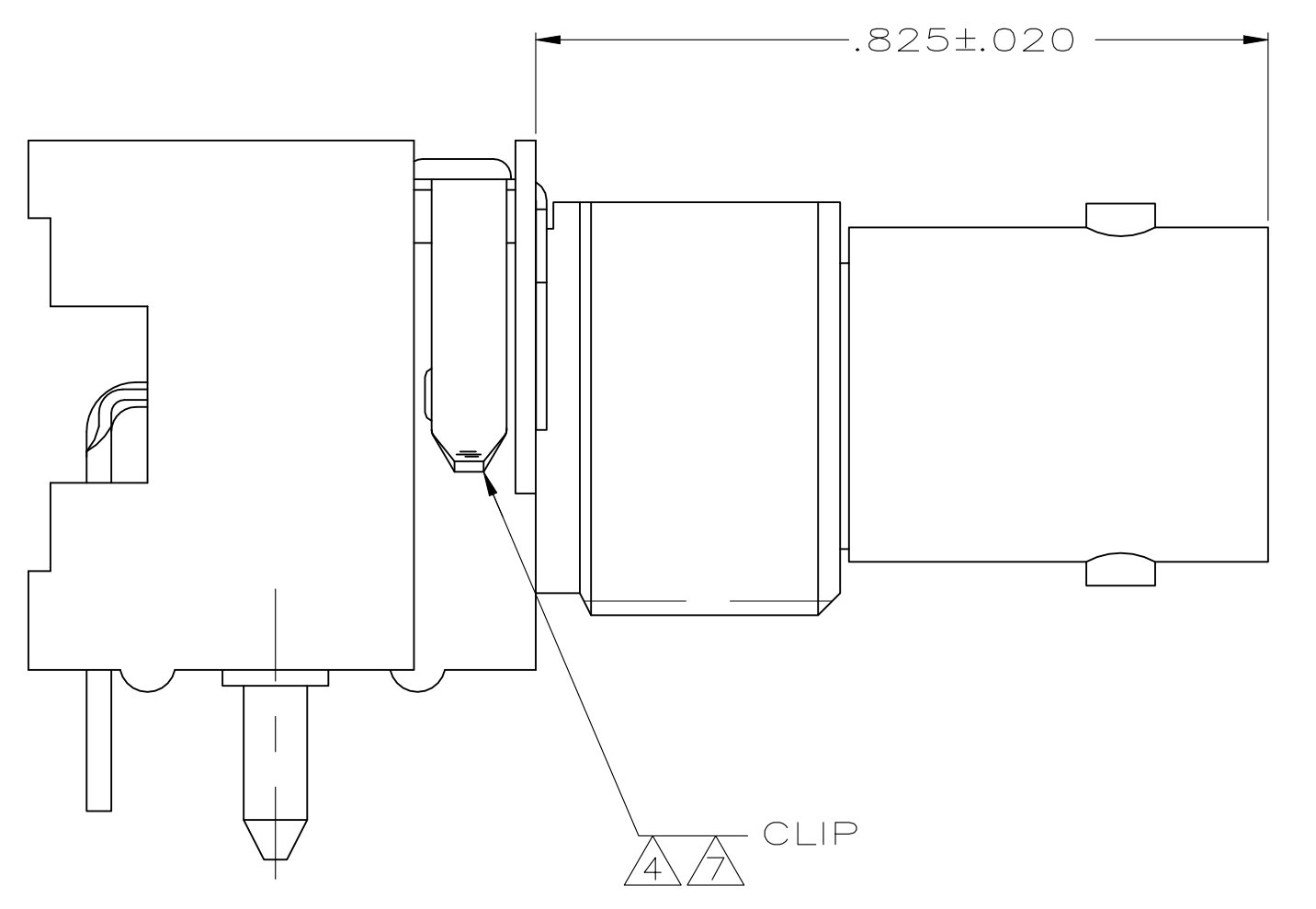
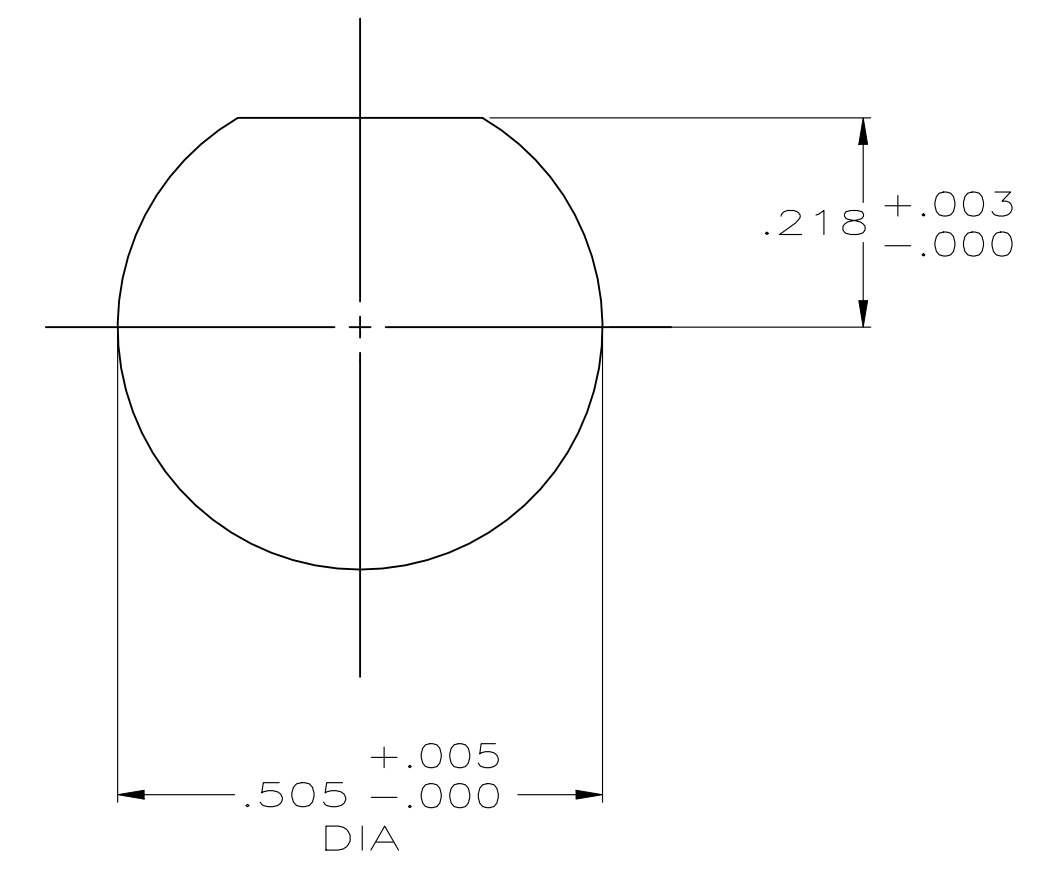
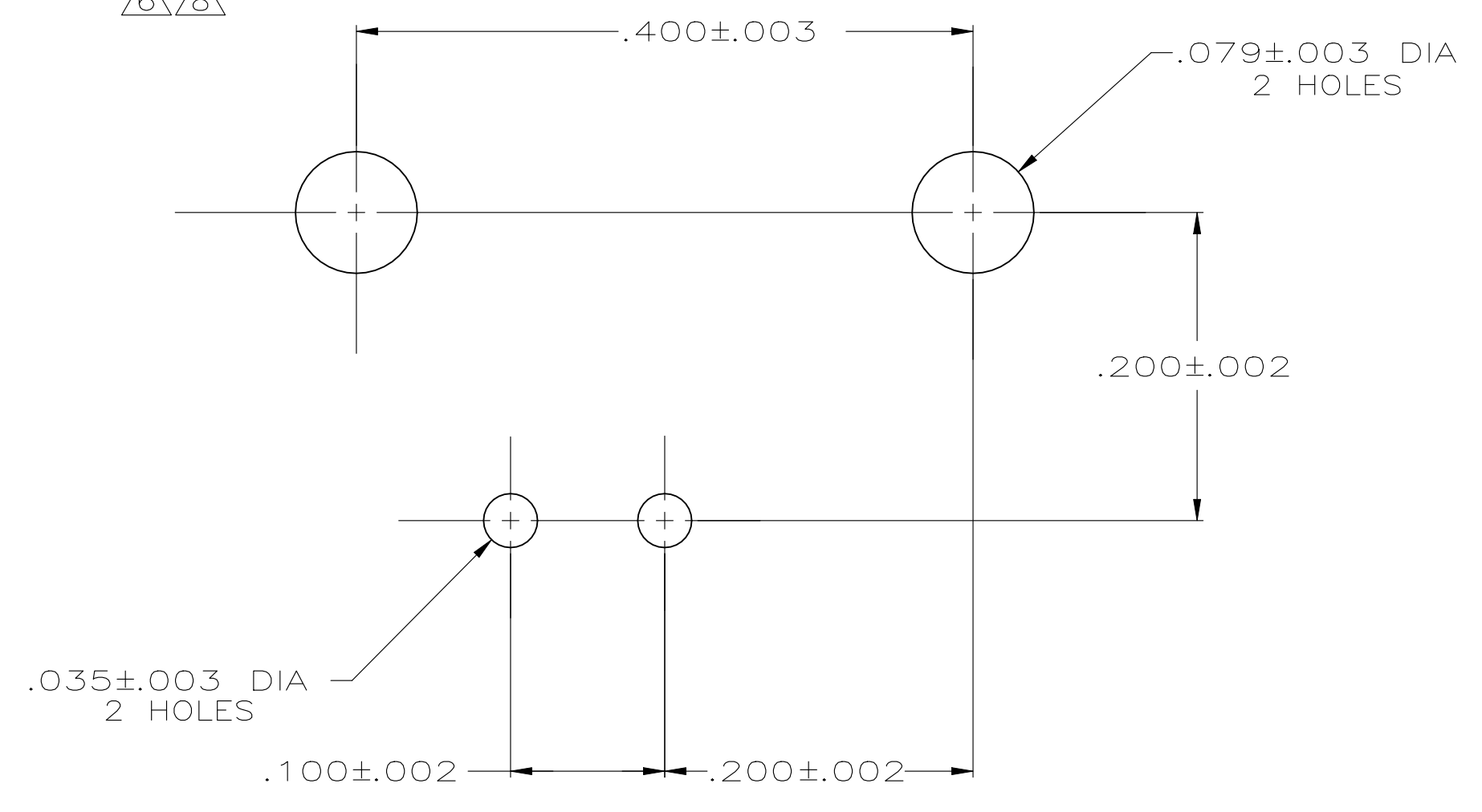
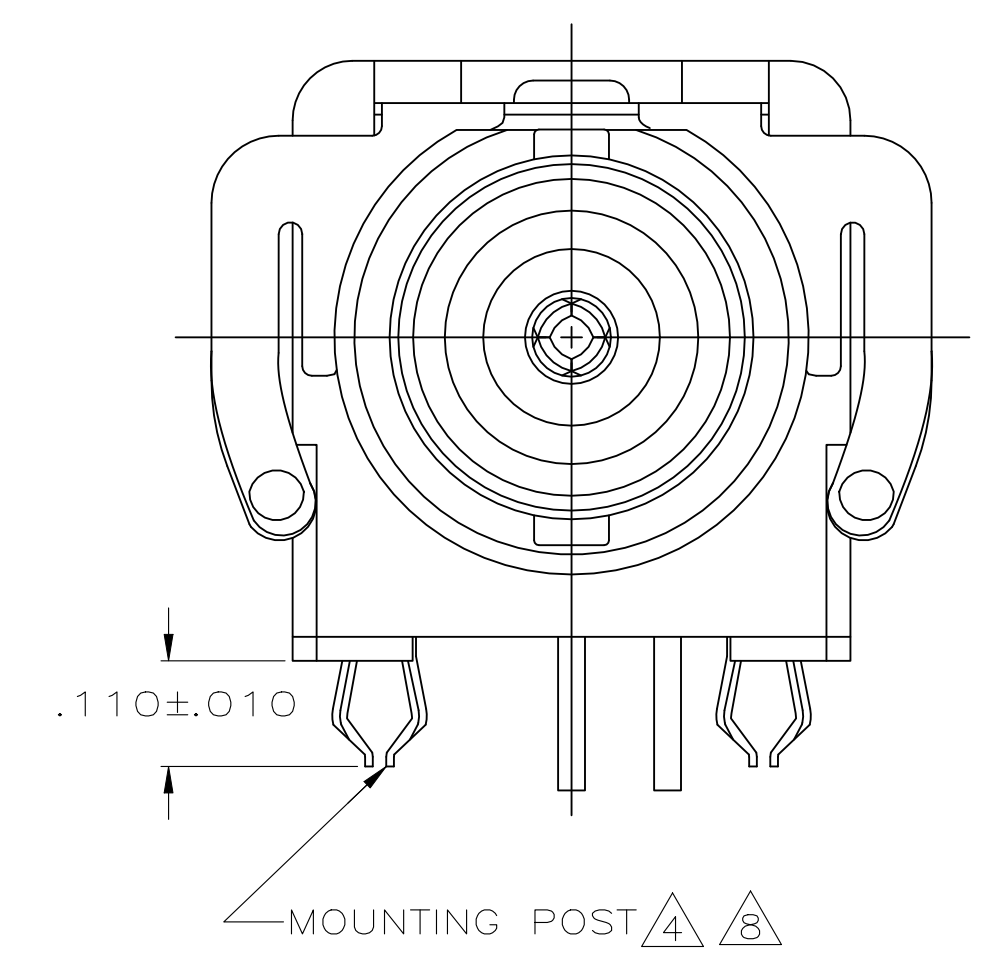
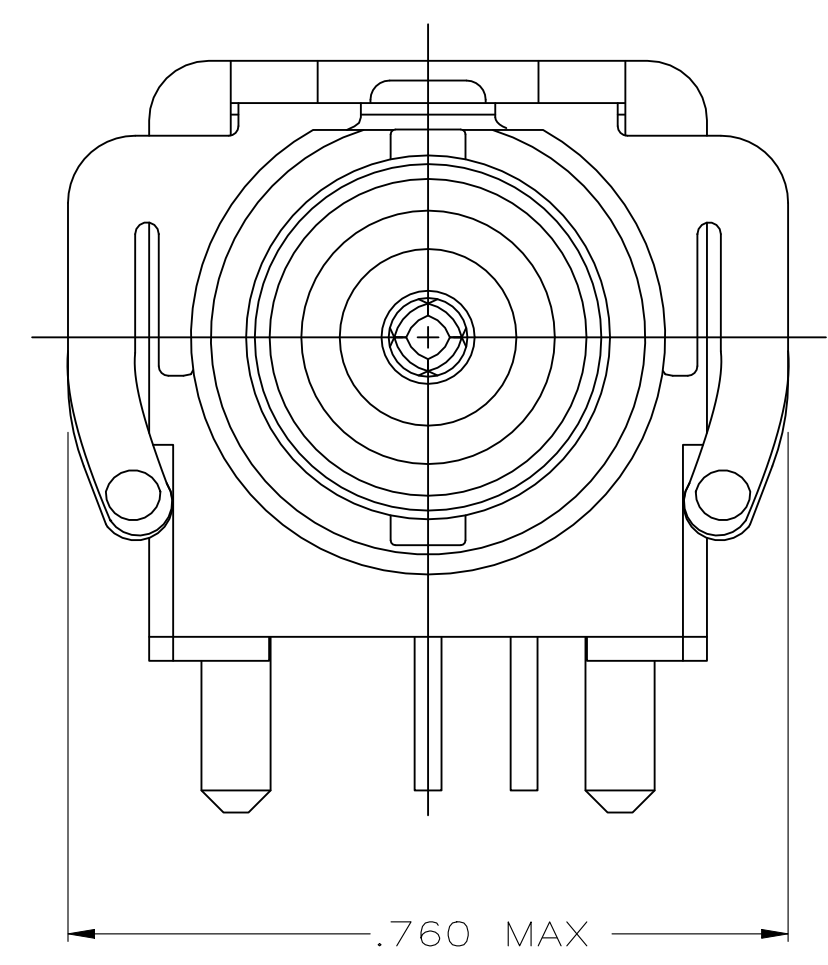
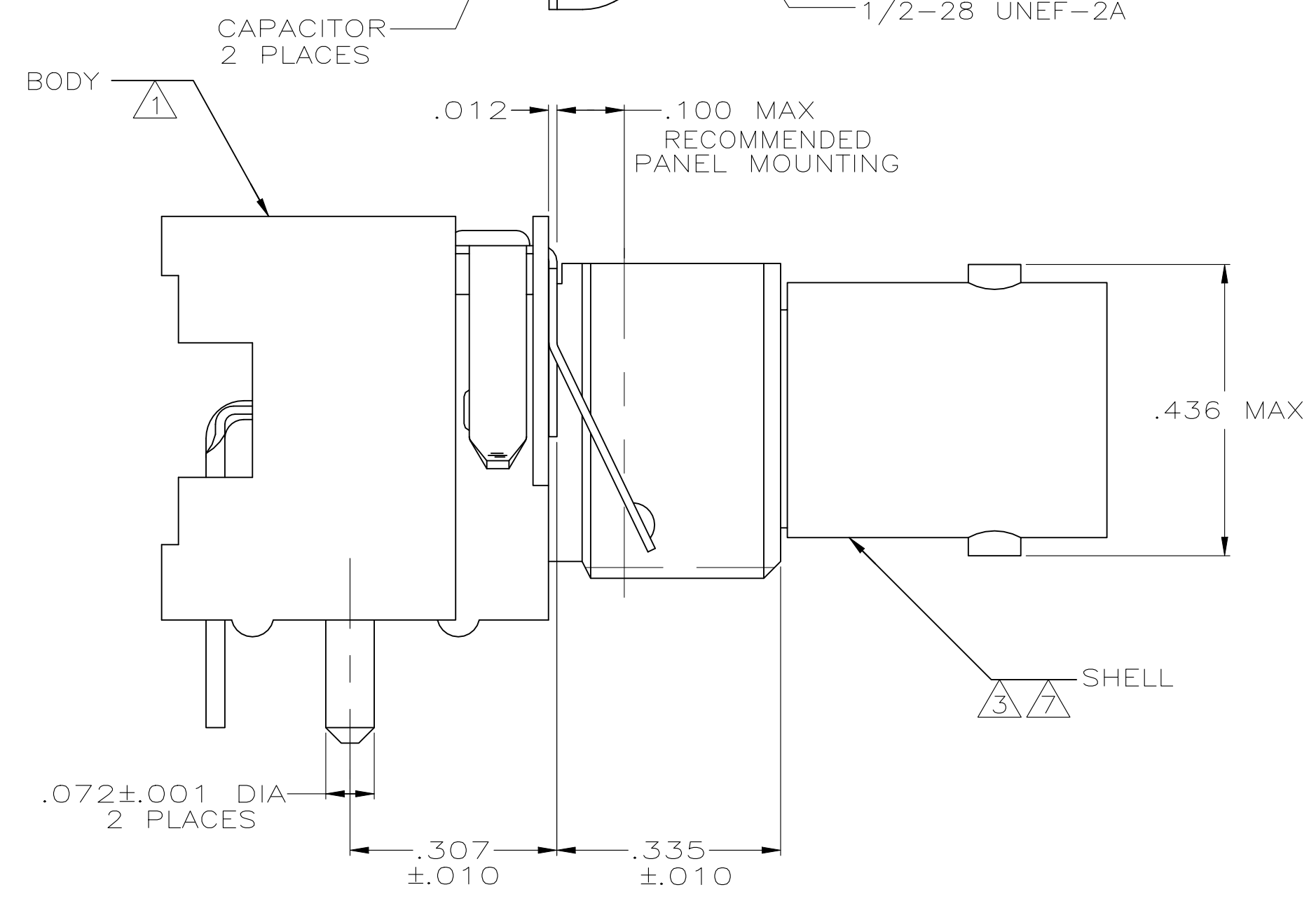
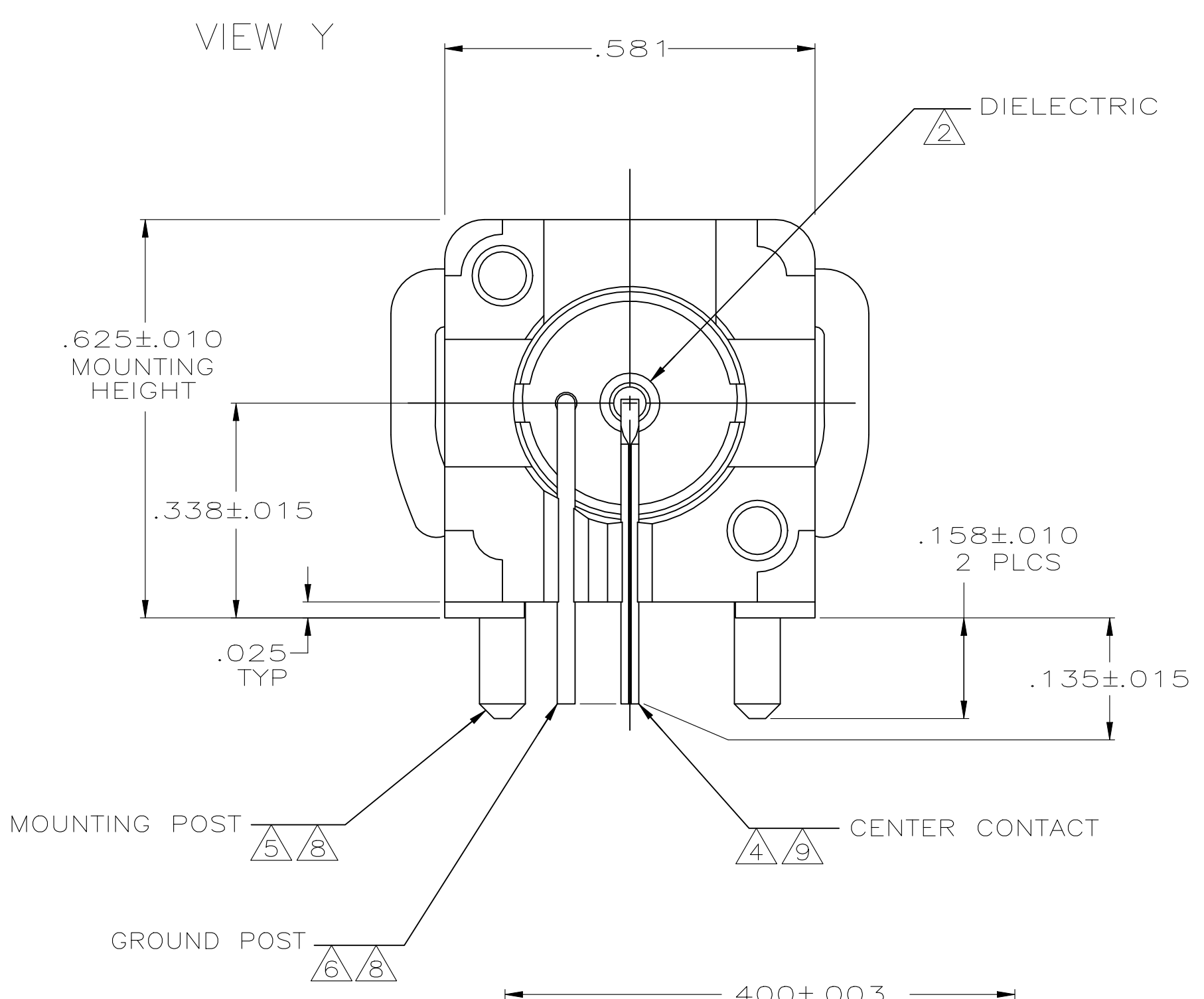


REVISIONS					
P	LTR	DESCRIPTION	DATE	DWN	APVD
B1		REVISED PER ECN-22-147270	05APR2022	RZ	WK



- 1 POLYESTER, PBT, BLACK, PER MIL-M-24519
- 2 POLYMETHYLPENTENE, GENERAL PURPOSE
- 3 ZINC PER QQ-Z-363
- 4 PHOSPHOR BRONZE PER QQ-B-750
- 5 BRASS PER ASTM-B-16
- 6 BRASS PER ASTM-B-453
- 7 NICKEL PL PER QQ-N-290
- 8 TIN PL PER ASTM-B-545
- 9 SELECTIVELY GOLD PLATED ON INTERFACE AREA PER ASTM-B-488, .000030 THK, TIN PLATED ON SOLDER TAIL PER ASTM-B-545, ALL OVER NICKEL PL PER QQ-N-290



VIEW Z	VIEW X	9400 pf, 1500 VDC	5413524-5
VIEW X OR Y	VIEW X	9400 pf, 1500 VDC	5413524-2
MOUNTING POST	CLIP	CAPACITANCE & VOLTAGE	PART NUMBER

THIS DRAWING IS A CONTROLLED DOCUMENT.		DIN 22APR2005		TE Connectivity	
DIMENSIONS: INCHES		TOLERANCES UNLESS OTHERWISE SPECIFIED:			
0 PL ± - 1 PL ± - 2 PL ± - 3 PL ± .008 4 PL ± -		0 PL ± - 1 PL ± - 2 PL ± - 3 PL ± .008 4 PL ± -		L. VARELA - DOCKS J. HAVENER J. LIPPERT NAME: JACK, DECOUPLER, RIGHT ANGLE, PCB, SERIES BNC PRODUCT SPEC: 108-1269 APPLICATION SPEC:	
MATERIAL THRU FINISH		WEIGHT		SIZE: A1 CAGE CODE: 00779 DRAWING NO: 5413524 RESTRICTED TO:	
1 THRU 6 7 8 9		CUSTOMER DRAWING		SCALE: 5:1 SHEET: 1 of 1 REV: B1	