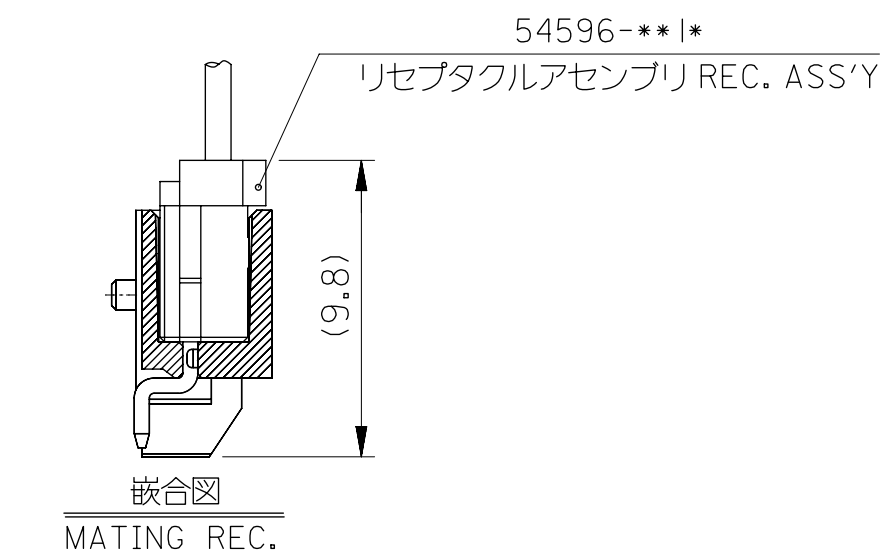
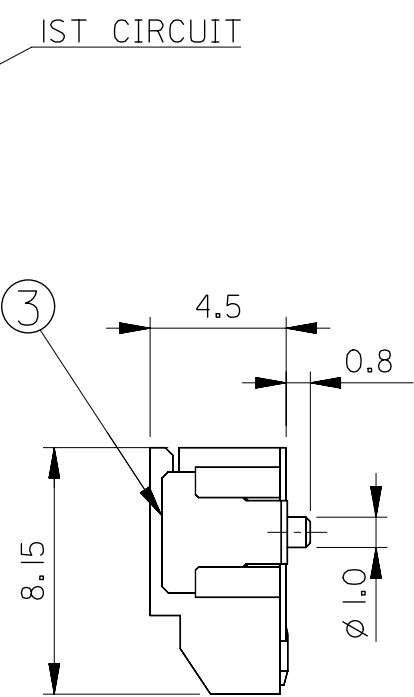


SECTION X-X



嵌合図 MATING REC.

注記 NOTES

- 材料及び仕上げ：表参照
MATERIAL AND FINISH: SEE CHART
- エンボス梱包品の詳細は、554560259 PSD 000を参照のこと。
DETAILED TAPING PACKAGE, SEE 554560259 PSD 000

△ 製品番号 MATERIAL NO.
55456-****

極数 CIRCUIT SIZE (2~20)
ボス BOSS 5: 有り WITH BOSS
6: 無し WITHOUT BOSS
色 COLOR 0: 自然色 NATURAL

- 本製品は55456-**10/**30/**70/**80の鉛フリー品である。
THIS PRODUCT IS LEAD FREE OF 55456-**10/**30/**70/**80.
- ELV及びRoHS適合品
ELV AND RoHS COMPLIANT

番号 NO.	名称 NAME	材料 MATERIAL	数量 QT'Y	仕上げ FINISH
①	ウエハー WAFER	ナイロン NYLON	1	UL94-0 色: 原色 COLOR: NATURAL
②	ピン PIN	黄銅 BRASS	N	全体錫めっき PRE-TINNED
③	ネール NAIL	黄銅 BRASS	2	錫めっき TIN PLATING

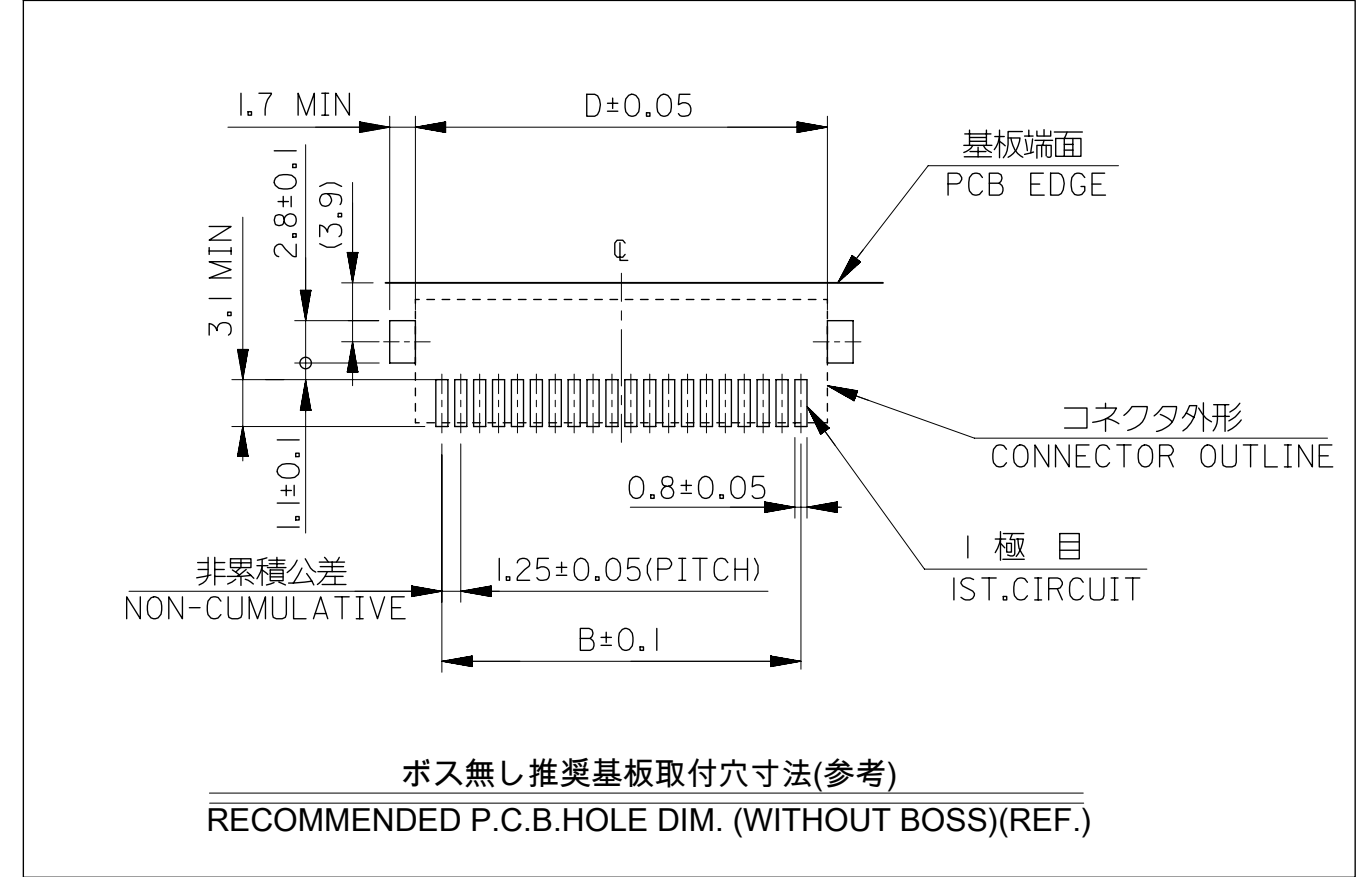
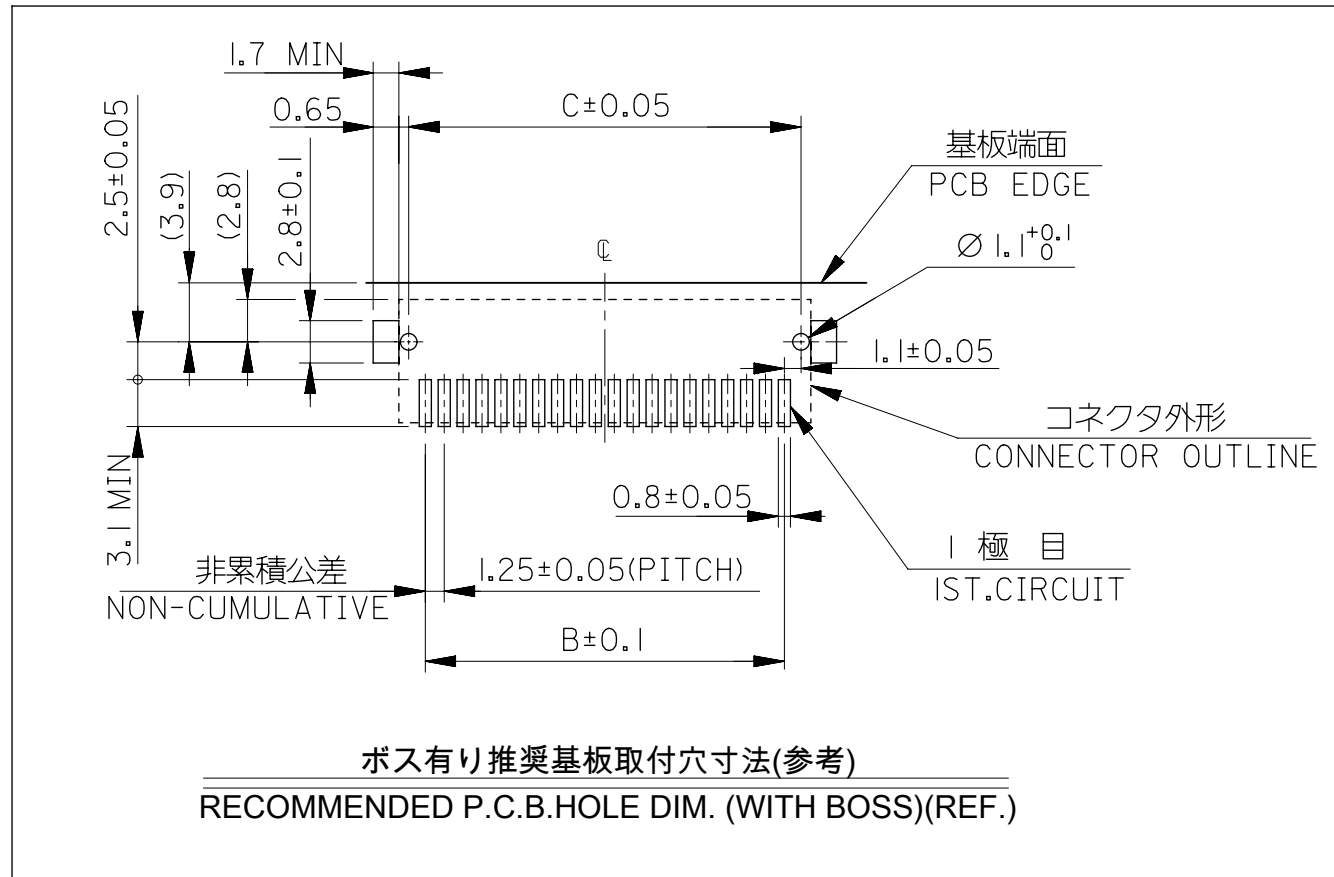
ボス無しタイプ WITHOUT BOSS	ボス有りタイプ WITH BOSS
55456-**6*	55456-**5*

27.25	25.95	23.75	28.65	55456-2060	ボス無しタイプ WITHOUT BOSS 55456-**6*	55456-2050	ボス有りタイプ WITH BOSS 55456-**5*
26	24.7	22.5	27.4	55456-1960		55456-1950	
24.75	23.45	21.25	26.15	55456-1860		55456-1850	
23.5	22.2	20	24.9	55456-1760		55456-1750	
22.25	20.95	18.75	23.65	55456-1660		55456-1650	
21	19.7	17.5	22.4	55456-1560		55456-1550	
19.75	18.45	16.25	21.15	55456-1460		55456-1450	
18.5	17.2	15	19.9	55456-1360		55456-1350	
17.25	15.95	13.75	18.65	55456-1260		55456-1250	
16	14.7	12.5	17.4	55456-1160		55456-1150	
14.75	13.45	11.25	16.15	55456-1060		55456-1050	
13.5	12.2	10	14.9	55456-0960		55456-0950	
12.25	10.95	8.75	13.65	55456-0860		55456-0850	
11	9.7	7.5	12.4	55456-0760		55456-0750	
9.75	8.45	6.25	11.15	55456-0660		—/—	
8.5	7.2	5	9.9	55456-0560		55456-0550	
7.25	5.95	3.75	8.65	55456-0460		55456-0450	
6	4.7	2.5	7.4	55456-0360		—/—	
4.75	3.45	1.25	6.15	55456-0260		55456-0250	
D	C	B	A	△ MATERIAL NO.		MODEL NO.	

THIS DRAWING CONTAINS INFORMATION THAT IS PROPRIETARY TO MOLEX ELECTRONIC TECHNOLOGIES, LLC AND SHOULD NOT BE USED WITHOUT WRITTEN PERMISSION

REDRAWN AND REVISED EC NO: 112233 DRWN: QHE31 CHK'D: SAKIYAMA APPR: TKANEKO	2017/01/10	2017/01/16	2017/01/16	GENERAL TOLERANCES (UNLESS SPECIFIED) ANGULAR TOL ± 3.0 ° 4 PLACES ± 0.2 3 PLACES ± 0.2 2 PLACES ± 0.2 1 PLACE ± 0.2 0 PLACES ± 0.2 DRAFT WHERE APPLICABLE MUST REMAIN WITHIN DIMENSIONS	DIMENSION UNITS MM	SCALE 4:1	 MINI MI2 1-ROW R/A SMT ASS'Y PRODUCT CUSTOMER DRAWING	
	DRWN BY QHE31	DATE 2017/01/10	CHK'D BY SAKIYAMA		DATE 2017/01/16	DRAWING SIZE A3		THIRD ANGLE PROJECTION
	APPR BY TKANEKO	DATE 2017/01/16	SERIES 55456		MATERIAL NUMBER SEE TABLE OF SHEET 1	CUSTOMER		
	DOCUMENT NUMBER 554560250	DOC TYPE PSD	DOC PART 000		SHEET NUMBER 1 OF 2			

RELEASE STATUS	RELEASE DATE
----------------	--------------



THIS DRAWING CONTAINS INFORMATION THAT IS PROPRIETARY TO MOLEX ELECTRONIC TECHNOLOGIES, LLC AND SHOULD NOT BE USED WITHOUT WRITTEN PERMISSION

REDRAWN AND REVISED EC NO: 112233 DRWN: QHE31 CHK'D: SAKIYAMA APPR: TKANEKO	2017/01/10	GENERAL TOLERANCES (UNLESS SPECIFIED) ANGULAR TOL ± 3.0 ° 4 PLACES ± 0.2 3 PLACES ± 0.2 2 PLACES ± 0.2 1 PLACE ± 0.2 0 PLACES ± 0.2 DRAFT WHERE APPLICABLE MUST REMAIN WITHIN DIMENSIONS	DIMENSION UNITS	SCALE		
	2017/01/16		MM	4:1		
	2017/01/16		DRWN BY	DATE		QHE31 2017/01/10
			CHK'D BY	DATE		SAKIYAMA 2017/01/16
			APPR BY	DATE		TKANEKO 2017/01/16
A	REV		DRAWING SIZE	THIRD ANGLE PROJECTION	SERIES: 55456 MATERIAL NUMBER: SEE TABLE OF SHEET 1 CUSTOMER:	
			A3		DOCUMENT NUMBER: 554560250 DOC TYPE: PSD DOC PART: 000 SHEET NUMBER: 2 OF 2	

RELEASE STATUS	RELEASE DATE
----------------	--------------