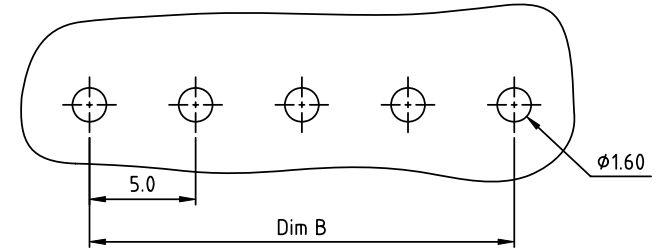
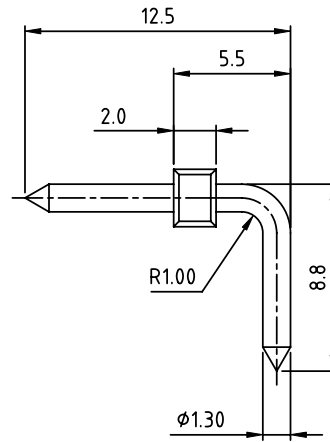
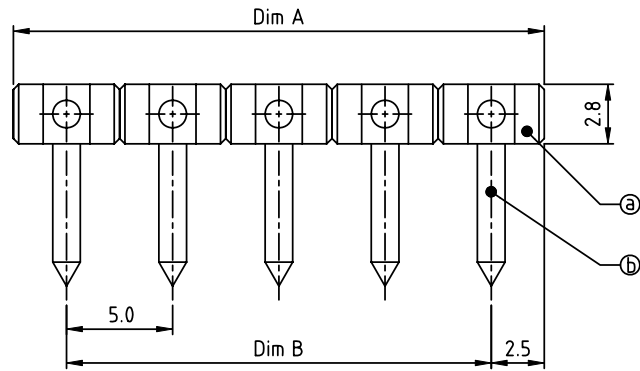


|                |        |
|----------------|--------|
| PRODUCT NUMBER | PITCH  |
| OPxx0Fx000J0G  | 5.00mm |



RECOMMENDED P.C.B LAYOUT  
TOP VIEW

Material:

- Item ① Terminal(housing): Thermoplastic (UL94V-0)
- Item ② Contact pin: Brass, Tin or Au plated.

Electrical:

- Voltage rating: 300V
- Current rating: 10A
- Withstanding Voltage: 1.6KV
- Operating temperature: -40°C to +115°C
- Soldering temperature: 260°C±5°C/5 Sec
- Safety Approval: cULus

N = Number of poles  
Dim L=Nx5.0  
Dim B=(N-1)x5.0

| poles  | Tolerance |
|--------|-----------|
| 2-5p   | ±0.10     |
| 6-9p   | ±0.15     |
| 10-13p | ±0.20     |
| 14-17p | ±0.25     |
| 18-21p | ±0.30     |
| 22-24p | ±0.40     |

PART NO.: OP xx 0 F x 0 00J0 G

Solid block  
 No. of poles  
 02 2 poles  
 03 3 poles  
 ...  
 24 24 poles

0 Tin plating 120u" Min  
 1 Gold plating 10u"  
 2 Gold flash

RoHS compliant  
 (lead<4%)  
 In copper Alloy

|             |                |                                       |                         |            |   |
|-------------|----------------|---------------------------------------|-------------------------|------------|---|
| mat'l. code |                | surface<br>ASME Y14.5                 | tolerance<br>ASME Y14.5 | projection | product family                          |
| ltr         |                | tolerances unless otherwise specified |                         | MM         | TERMINAL BLOCK                          |
| ecn no      | dr             | date                                  | angles                  |            | title                                   |
|             |                |                                       | X±0.5                   | scale      | TERMINAL BLOCK                          |
|             |                |                                       | X.X±0.3                 |            | PLUGGABLE SOCKET, RIGHT ANGLE, BEND PIN |
|             |                |                                       | X*±1*                   |            | sheet 1 of 1 size                       |
| dr          | EVIN ZHONG     | 041714                                |                         |            | OPxx0Fx000J0G                           |
| enr         | EVIN ZHONG     | 041714                                |                         |            | A4                                      |
| chr         | HANKE FENG     | 041714                                |                         |            |   |
| appd        | SHI JUN        | 041714                                |                         |            |   |
| sheet index | revision sheet | A                                     | 1                       |            | type CUSTOMER Drawing                   |