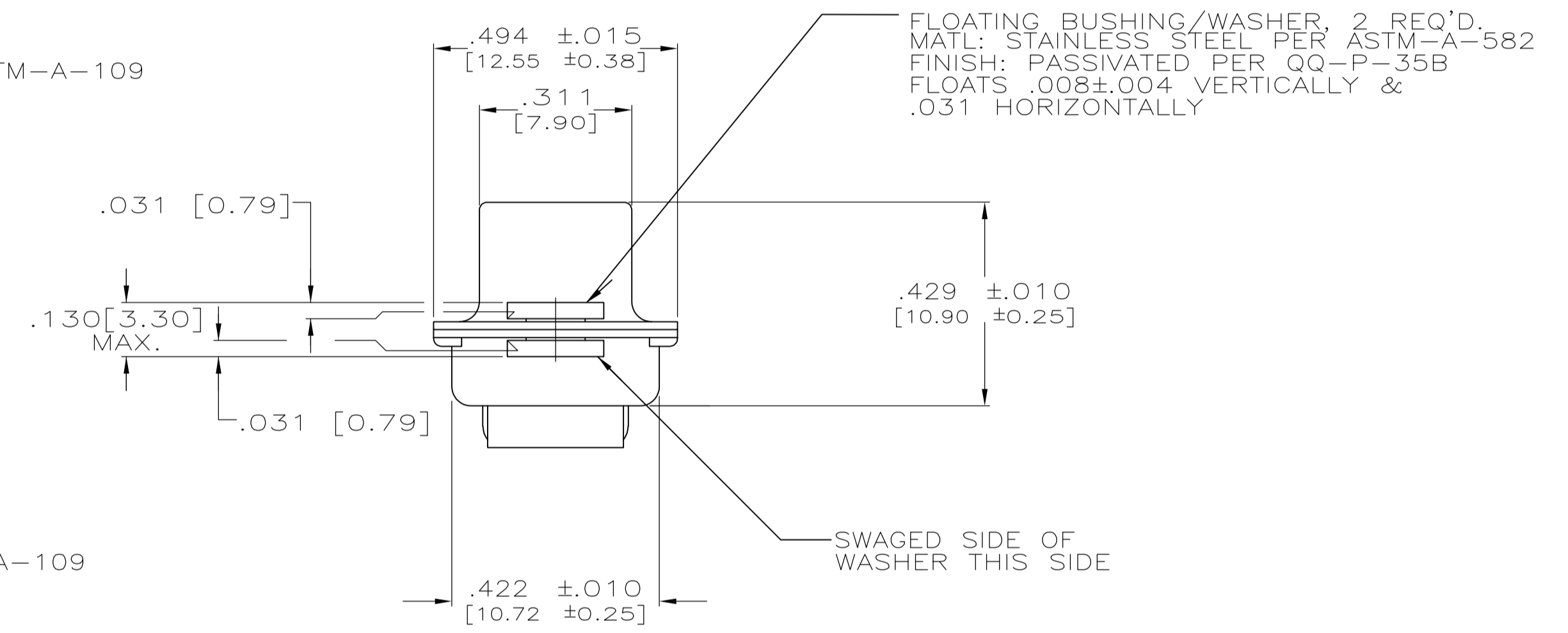
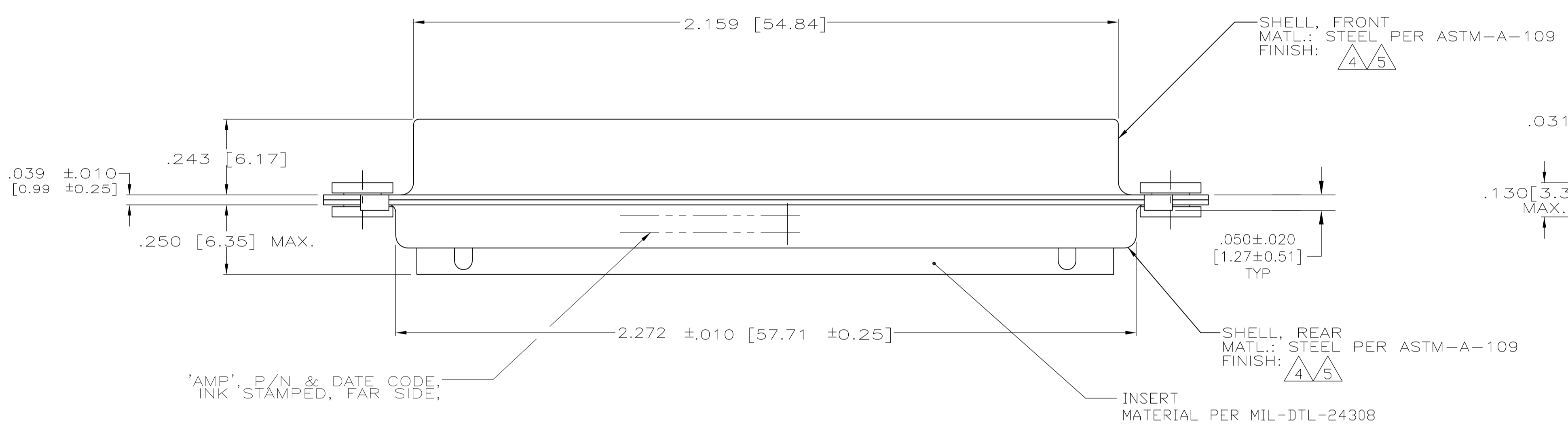
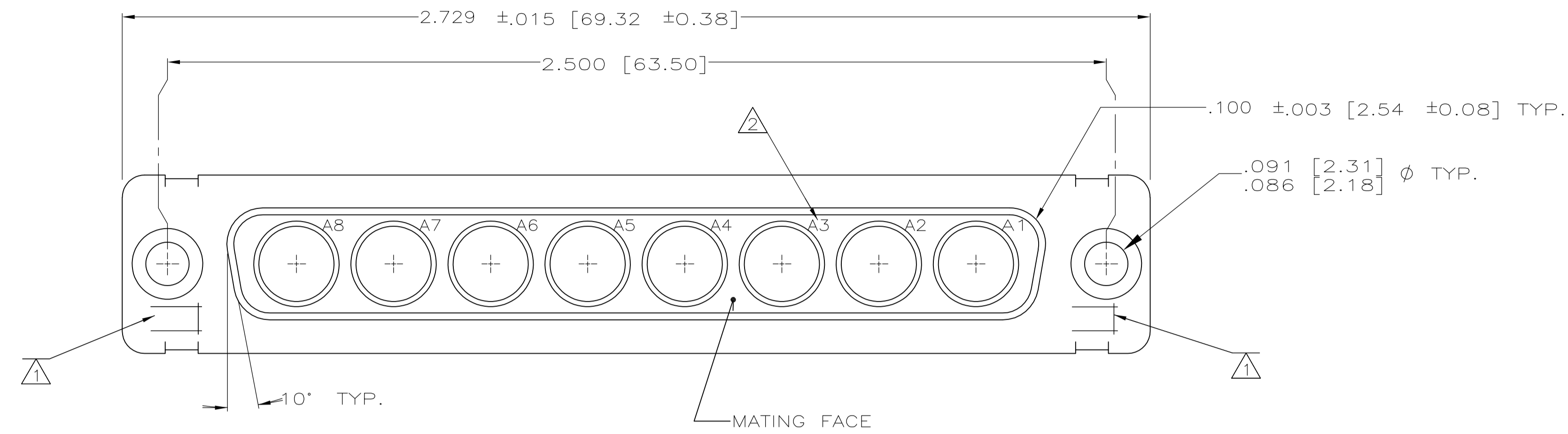


LOC		DIST		REVISIONS			
P	LTR	DESCRIPTION	DATE	DMN	APVD		
C		REV PER ECO 15-005929	5-13-15	CT	DM		



- 1 UL/CSA DESIGNATION STAMPED IN THIS AREA, OPTIONAL.
- 2 RAISED NUMBERS FOR IDENTIFICATION OF CIRCUIT HOLES.
- 3. CONTACTS NOT SUPPLIED WITH ASSEMBLY. CONTACTS TO BE PURCHASED SEPARATELY.
- 4 FINISH: CADMIUM PER QQ-P-416.
- 5 FINISH: ZINC PLATED PER ASTM-B-633 .000200-.000400 THK WITH SUPPLEMENTARY CHROMATE (Cr3+).

5	5-447720-1
4	447720-1
NOTE	PART NO

THIS DRAWING IS A CONTROLLED DOCUMENT.		DIN 2-14-91	STE TE Connectivity	
DIMENSIONS: INCHES		CHK C.C. THOMAS	NAME	
TOLERANCES UNLESS OTHERWISE SPECIFIED:		APVD	PRODUCT SPEC	
0 PLC ± -		APPLICATION SPEC		SIZE
1 PLC ± -		RESTRICTED TO		WEIGHT
2 PLC ± -		CUSTOMER DRAWING		SCALE 1:1
3 PLC ± .005 [0.13]		A1 00779 C=447720		SHEET 1 OF 1
4 PLC ± -		REV		REV
5 ANGLES ± -				