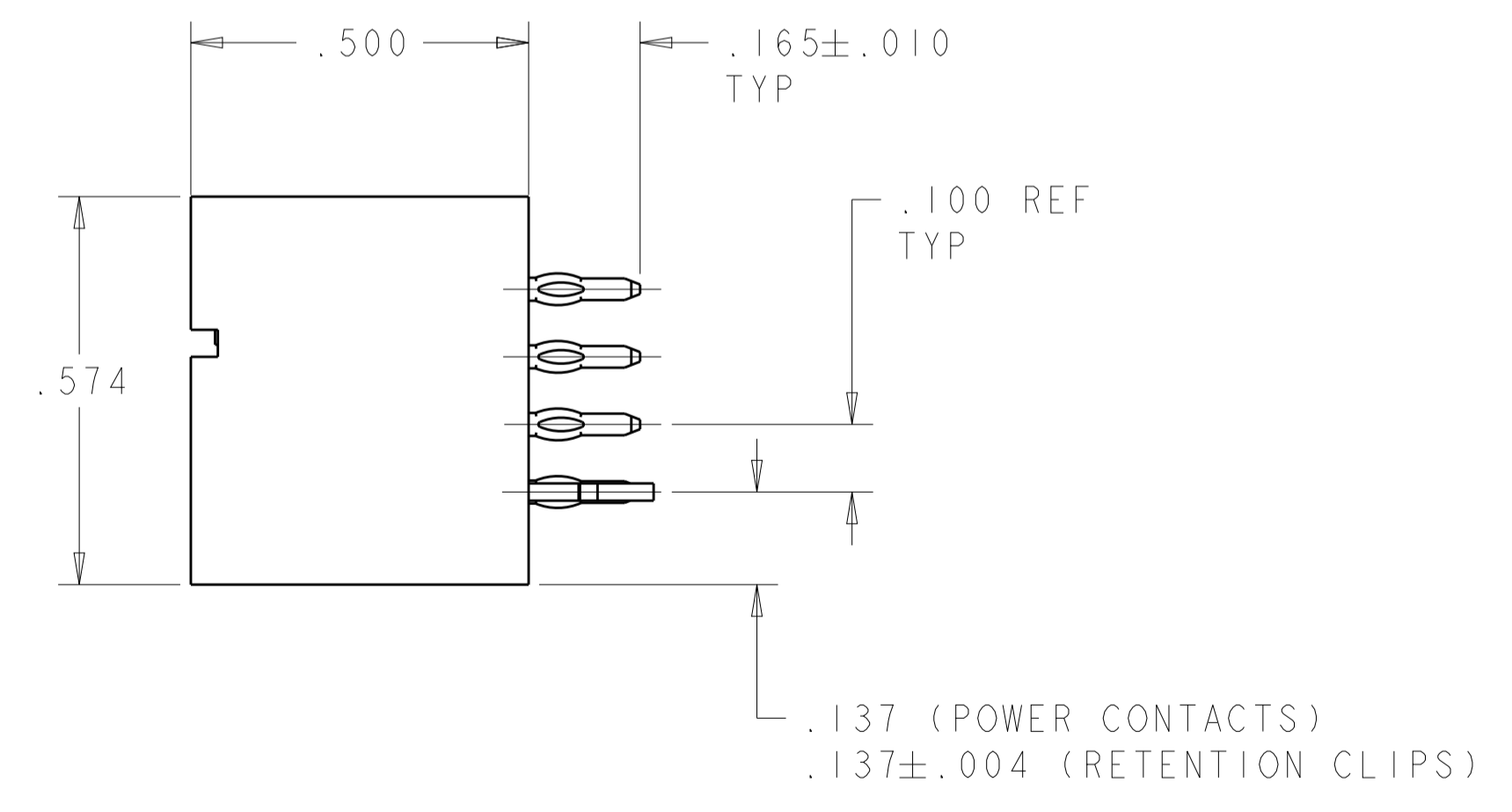
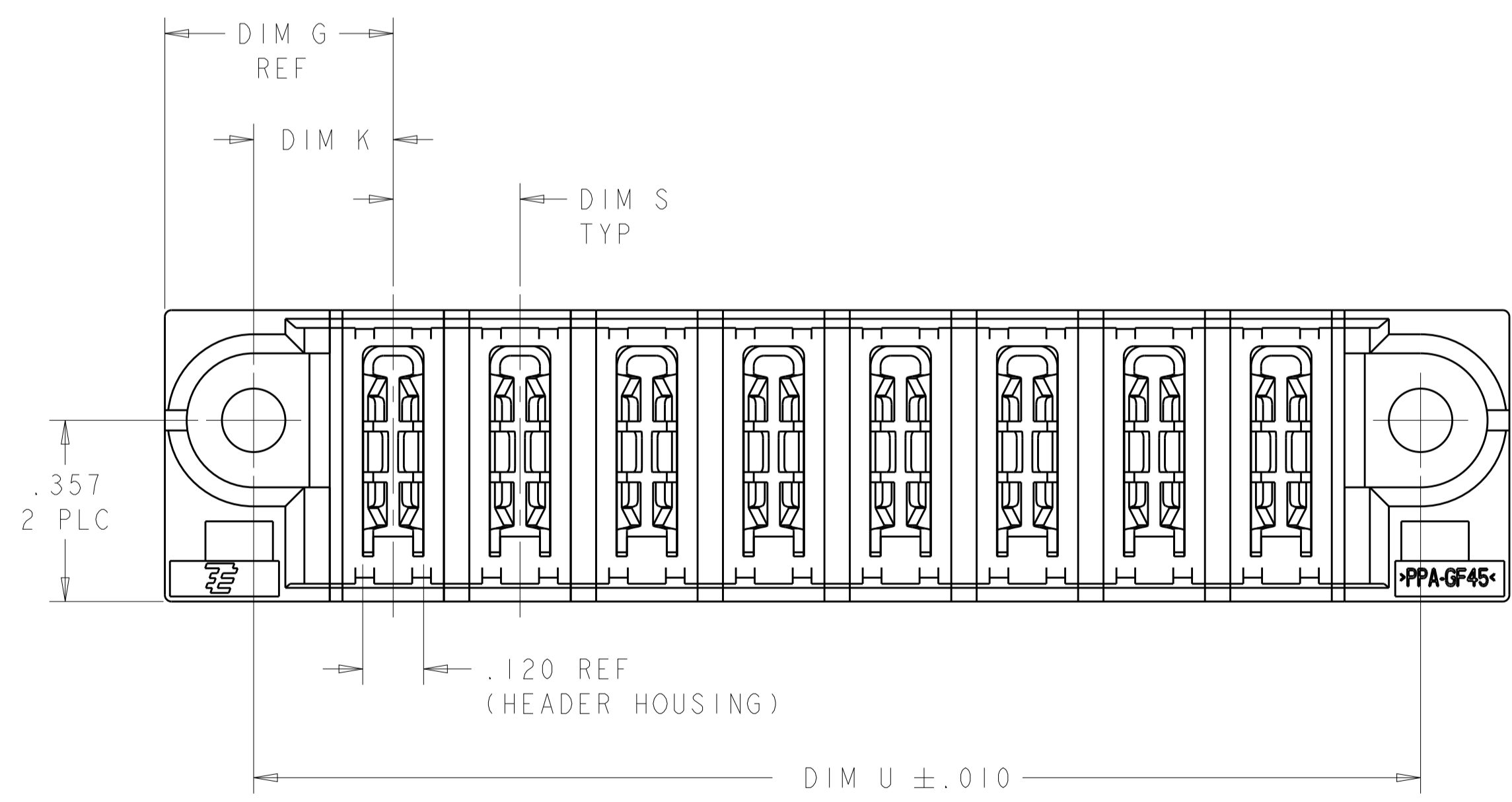
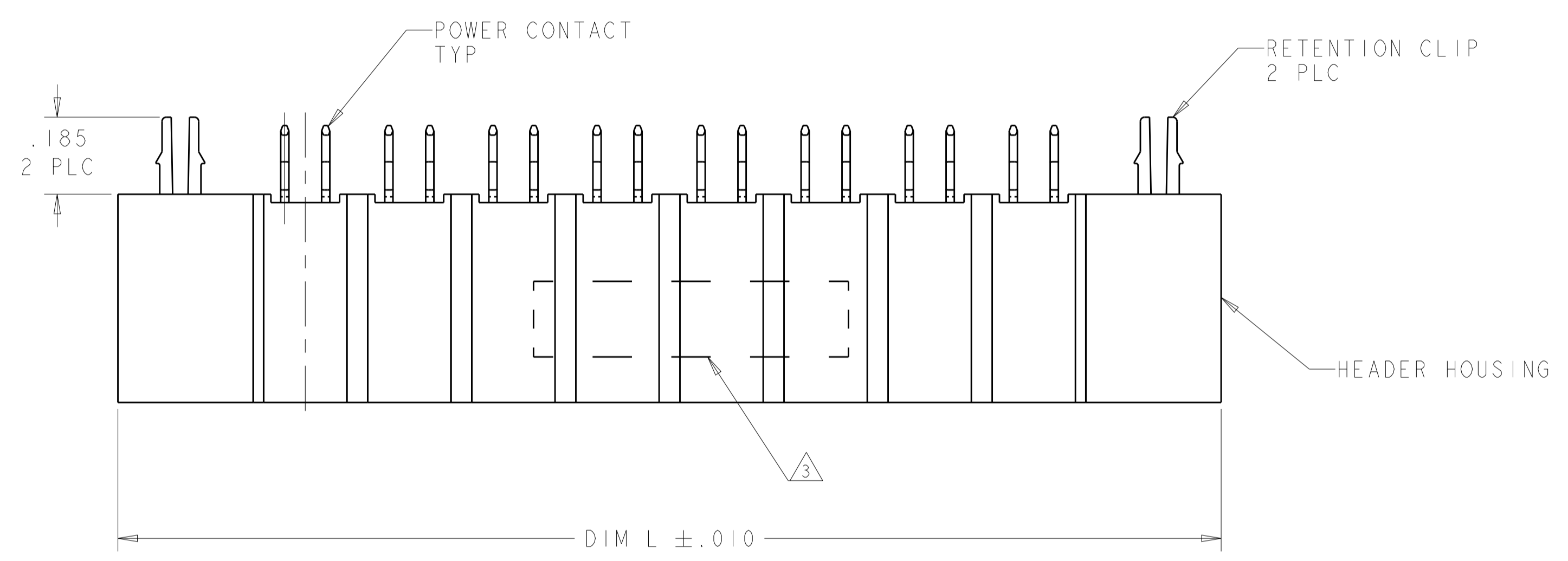
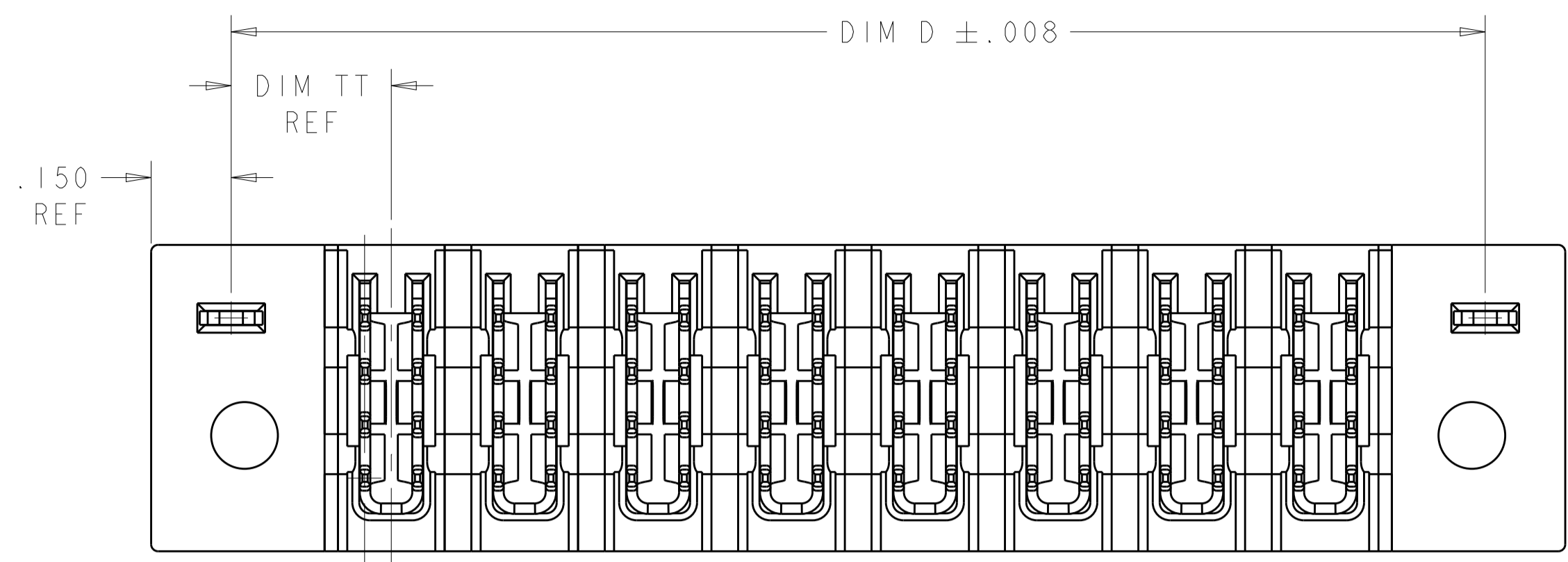


LOC	DIST	REVISIONS					
		P	LTN	DESCRIPTION	DATE	DMN	APVD
GP	00	B7		REV PER ECR-12-018925	31OCT2012	CZ	SZ
		B8		REV PER ECR-14-002489	25FEB2014	OL	SZ




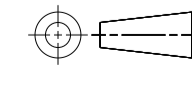
- △ HEADER HOUSING: THERMO PLASTIC, BLACK, UL94 V-0; CONTACTS AND RETENTION CLIPS: COPPER ALLOY.
- △ CONTACT PLATING: NOBLE METAL PLATING ON CONTACT FUNCTIONAL AREA OF POWER CONTACTS
- △ RETENTION CLIP: .000115 MIN TIN.
- △ "AMP", PART NUMBER AND DATE CODE MARKED IN THIS AREA. PARTS UNDER 2.50 LONG MAY BE MARKED ON BOTH SIDES.
- △ DATUM AND BASIC DIMENSIONS ESTABLISHED BY CUSTOMER.
- △ PCB - ALL HOLE DIAMETERS ARE FINISHED HOLE SIZES.
- 6. A SEATING TOOL IS REQUIRED TO SEAT THE HEADER ON THE P.C. BOARD. PLEASE REFER TO THE 114-13038 APPLICATION SPEC.
- △ MECHANICAL CONNECTOR KEEP OUT ZONE.
- △ NO RELEASED FOR PRODUCTION

THIS DRAWING IS A CONTROLLED DOCUMENT.		DMN D. RINGLER 15MAR06	TE Connectivity
DIMENSIONS: INCHES		CHK M. PERCHERKE 15MAR06	
TOLERANCES UNLESS OTHERWISE SPECIFIED:		APVD M. PERCHERKE 15MAR06	NAME VERTICAL HEADER CONN, W/GUIDES PRESS FIT, TYPE P MULTI-BEAM XL
0 PLC ±. 1 PLC ±. 2 PLC ±. 3 PLC ±.005 4 PLC ±. ANGLES ±.		PRODUCT SPEC 108-1973	SIZE A1
MATERIAL △		APPLICATION SPEC 114-13038	CAGE CODE C=6600303
FINISH △		WEIGHT	RESTRICTED TO
CUSTOMER DRAWING		SCALE 2:1	SHEET 1 OF 6 REV B8

THIS DRAWING IS UNPUBLISHED. RELEASED FOR PUBLICATION 20
 © COPYRIGHT 20 BY - ALL RIGHTS RESERVED.

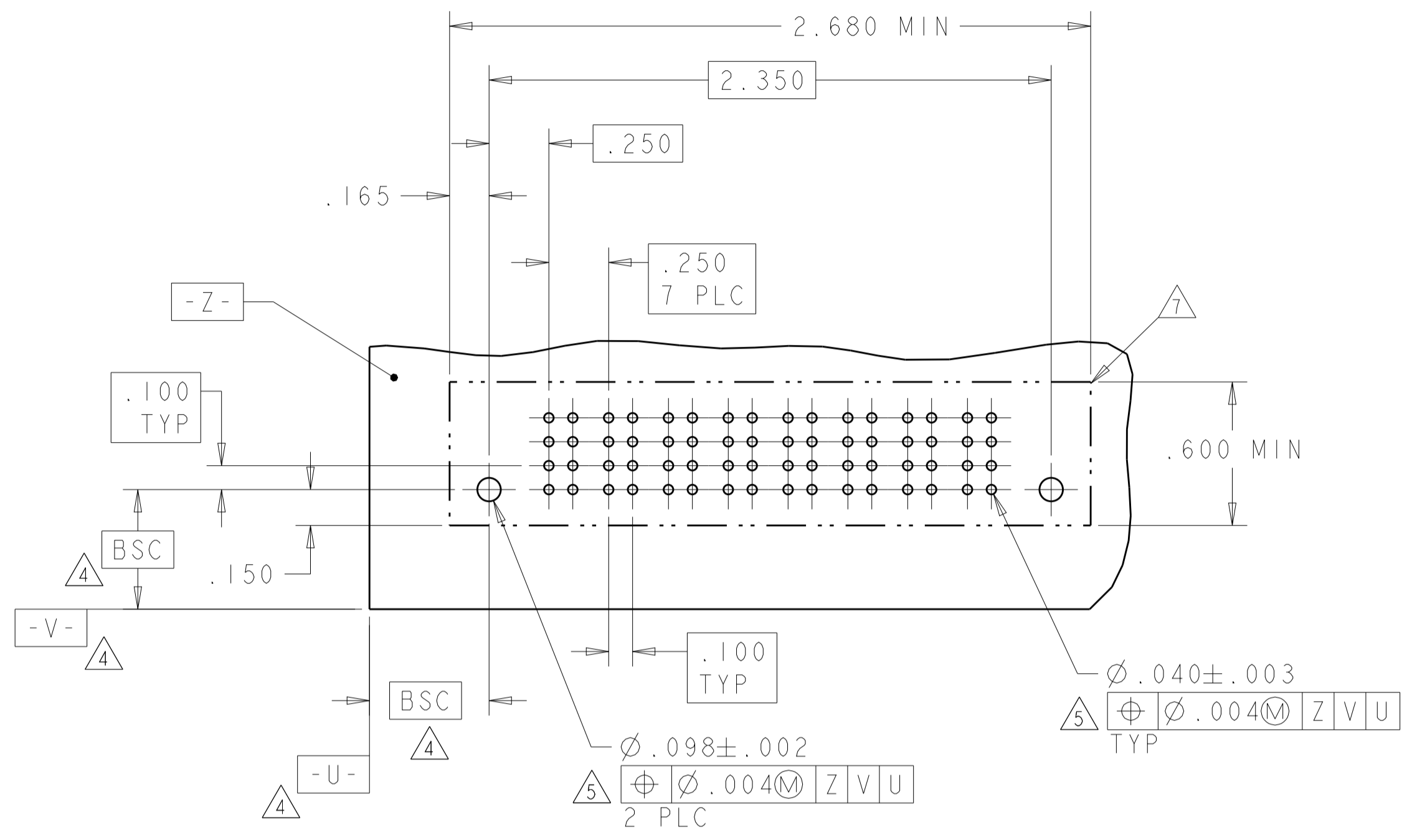
LOC	DIST	REVISIONS					
GP	00	P	LTN	DESCRIPTION	DATE	DWN	APVD
		-		SEE SHEET 1		-	-

⊙B7	.325	1.800	.300	2.150	.300	.475	1.850	YES	5ACP	1-6600303-2
	.375	1.900	.300	2.250	.350	.525	1.950	NO	5ACP	1-6600303-1
	.300	2.050	.300	2.400	.275	.450	2.100	NO	6ACP	1-6600303-0
	.375	1.900	.300	2.250	.350	.525	1.950	YES	5ACP	6600303-9
	.325	1.200	.300	1.550	.300	.475	1.250	YES	3ACP	6600303-7
	.300	1.800	.250	2.150	.275	.450	1.850	YES	6P	6600303-6
⊙B8	.300	2.550	.250	2.900	.275	.450	2.600	NO	9P	6600303-5
⊙B8	.300	2.150	.200	2.500	.275	.450	2.200	NO	9HDP	6600303-4
	.325	1.500	.300	1.850	.300	.475	1.550	YES	4ACP	6600303-3
	.300	1.300	.250	1.650	.275	.450	1.350	YES	4P	6600303-2
	.300	2.300	.250	2.650	.275	.450	2.350	YES	8P	6600303-1
	DIM "TT"	DIM "U"	DIM "S"	DIM "L"	DIM "K"	DIM "G"	DIM "D"	RETENTION CLIP	DESCRIPTION	PART NUMBER

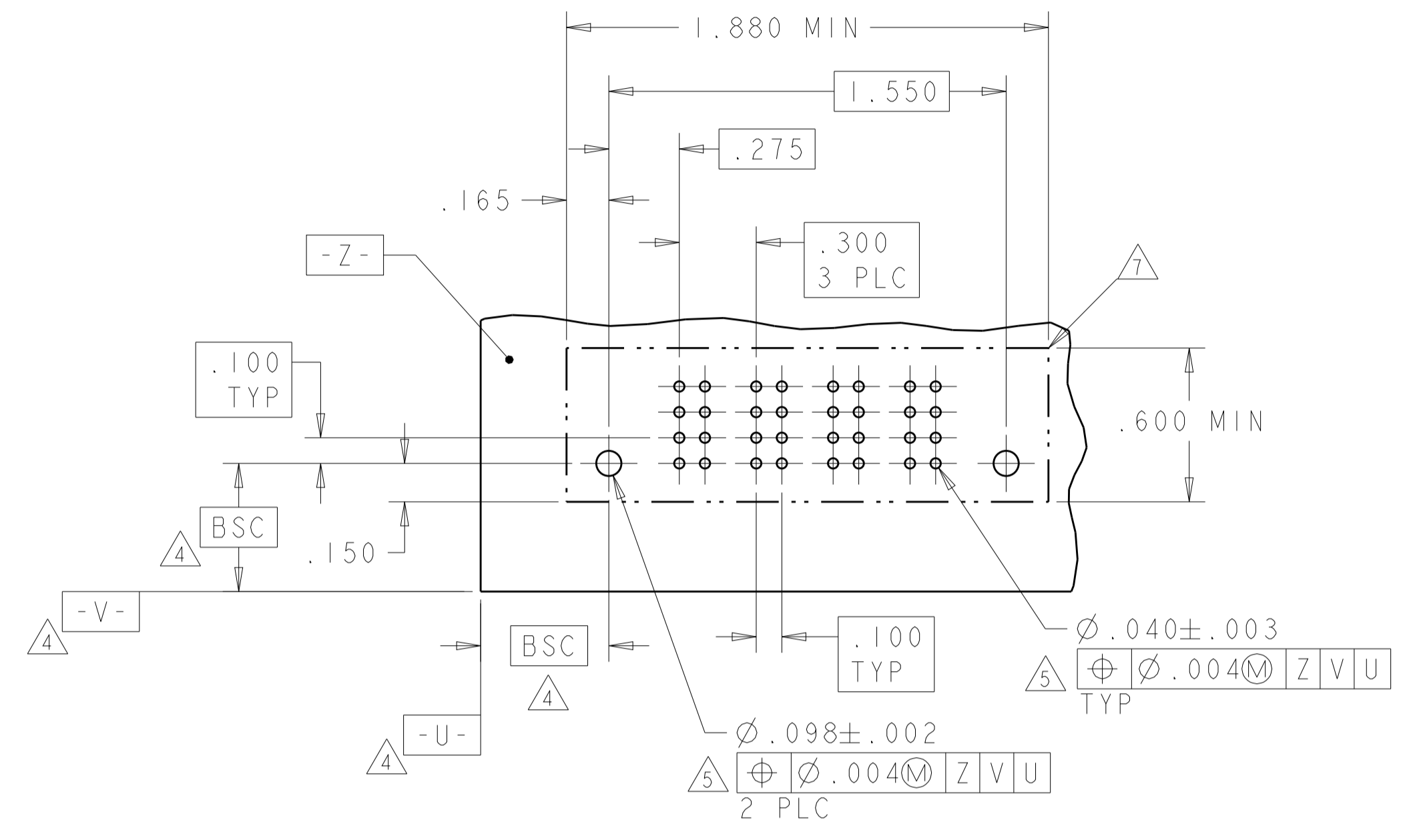
THIS DRAWING IS A CONTROLLED DOCUMENT.		DWN D. RINGLER 15MAR06	 TE Connectivity
DIMENSIONS: INCHES		CHK M. PERCHERKE 15MAR06	
TOLERANCES UNLESS OTHERWISE SPECIFIED: 0 PLC ±. 1 PLC ±. 2 PLC ±. 3 PLC ±.005 4 PLC ±. ANGLES ±.		APVD M. PERCHERKE 15MAR06	NAME VERTICAL HEADER CONN, W/GUIDES PRESS FIT, TYPE P MULTI-BEAM XL
		PRODUCT SPEC 108-1973	SIZE A1
MATERIAL		APPLICATION SPEC 114-13038	CAGE CODE DRAWING NO 00779 6600303
		WEIGHT	RESTRICTED TO
		CUSTOMER DRAWING	SCALE 2:1 SHEET 2 OF 6 REV B8

PART NUMBER	ROWS	POWER							
		P1	P2	P3	P4	P5	P6	P7	P8
6600303-1	D		VM	VM	VM	VM	VM	VM	VM
	C								
	B								
	A								
8P	HD								HD

PART NUMBER	ROWS	POWER				
		P1	P2	P3	P4	
6600303-3	D		VM	VM	VM	VM
	C					
	B					
	A					
4ACP	HD					HD



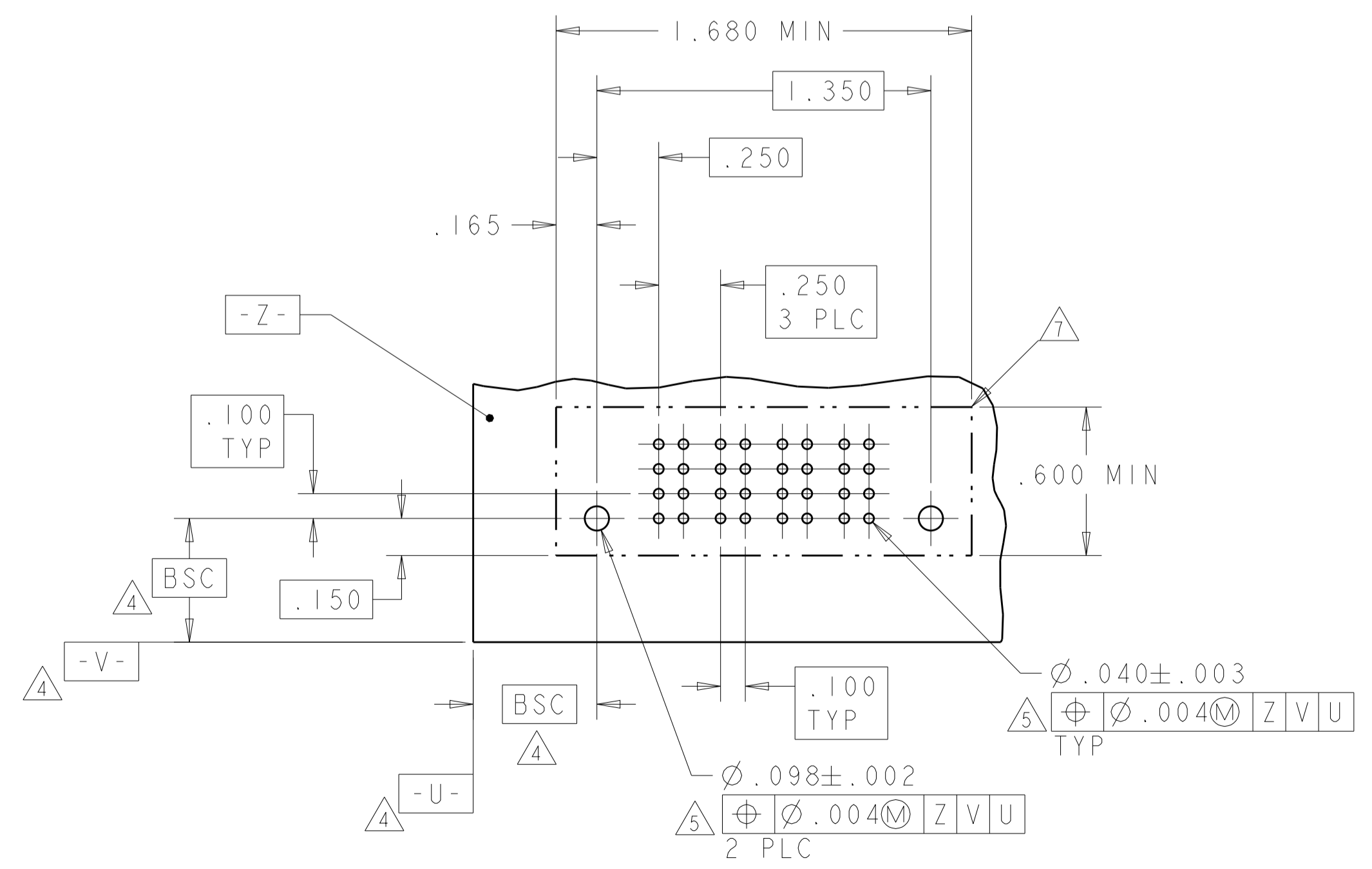
RECOMMENDED PCB LAYOUT 6600303-1
 SCALE 2:1



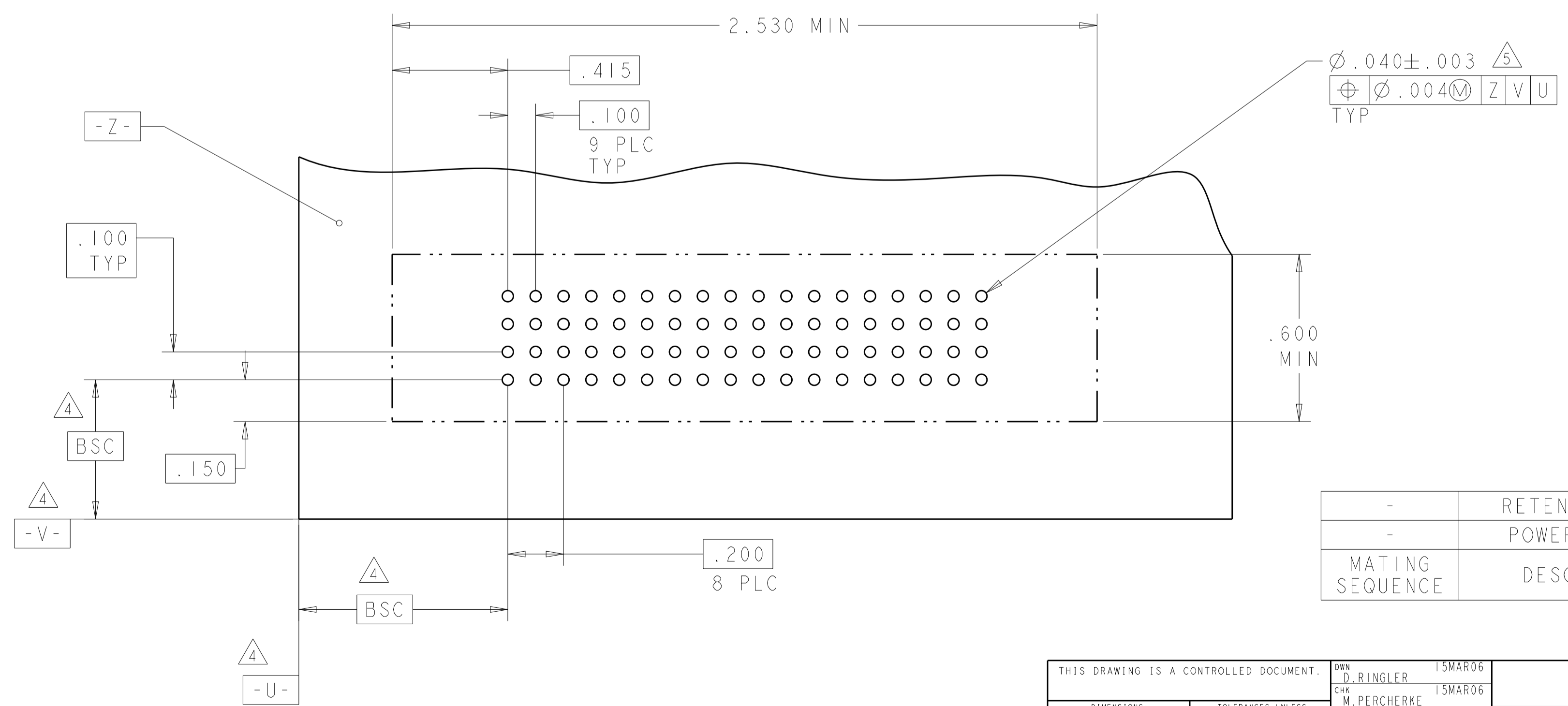
RECOMMENDED PCB LAYOUT 6600303-3
 SCALE 2:1

PART NUMBER	ROWS	POWER				
		P1	P2	P3	P4	
6600303-2	D		VM	VM	VM	VM
	C					
	B					
	A					
4P	HD					HD

PART NUMBER	ROWS	POWER								
		P1	P2	P3	P4	P5	P6	P7	P8	P9
6600303-4	D		VM	VM	VM	VM	VM	VM	VM	VM
	C									
	B									
	A									
9HDP										



RECOMMENDED PCB LAYOUT 6600303-2
 SCALE 2:1



-	RETENTION CLIP	HD
-	POWER CONTACT	VM
MATING SEQUENCE	DESCRIPTION	IDENTIFIER

THIS DRAWING IS A CONTROLLED DOCUMENT.

DIMENSIONS: INCHES	TOLERANCES UNLESS OTHERWISE SPECIFIED:	DWN: D. RINGLER 15MAR06	CHK: M. PERCHERKE 15MAR06	APVD: M. PERCHERKE 15MAR06
0 PLC ± .010	1 PLC ± .005	PRODUCT SPEC: 108-1973	APPLICATION SPEC: 114-13038	WEIGHT: -
2 PLC ± .005	3 PLC ± .005	SIZE: A1	CAGE CODE: -	DRAWING NO: 6600303
4 PLC ± .005	5 PLC ± .005	CUSTOMER DRAWING	SCALE: 2:1	SHEET 3 OF 6
6 PLC ± .005	7 PLC ± .005			REV: B8

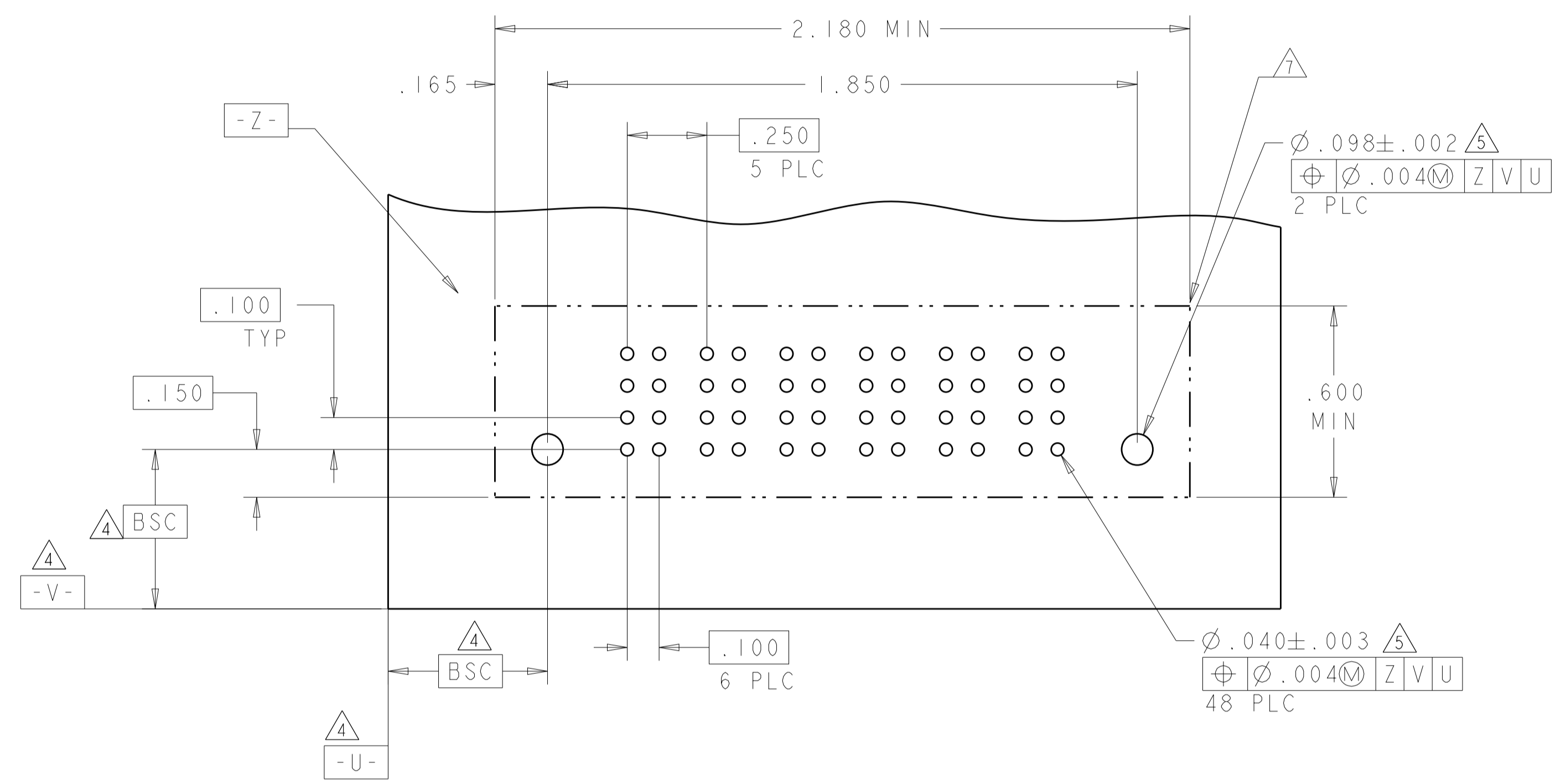
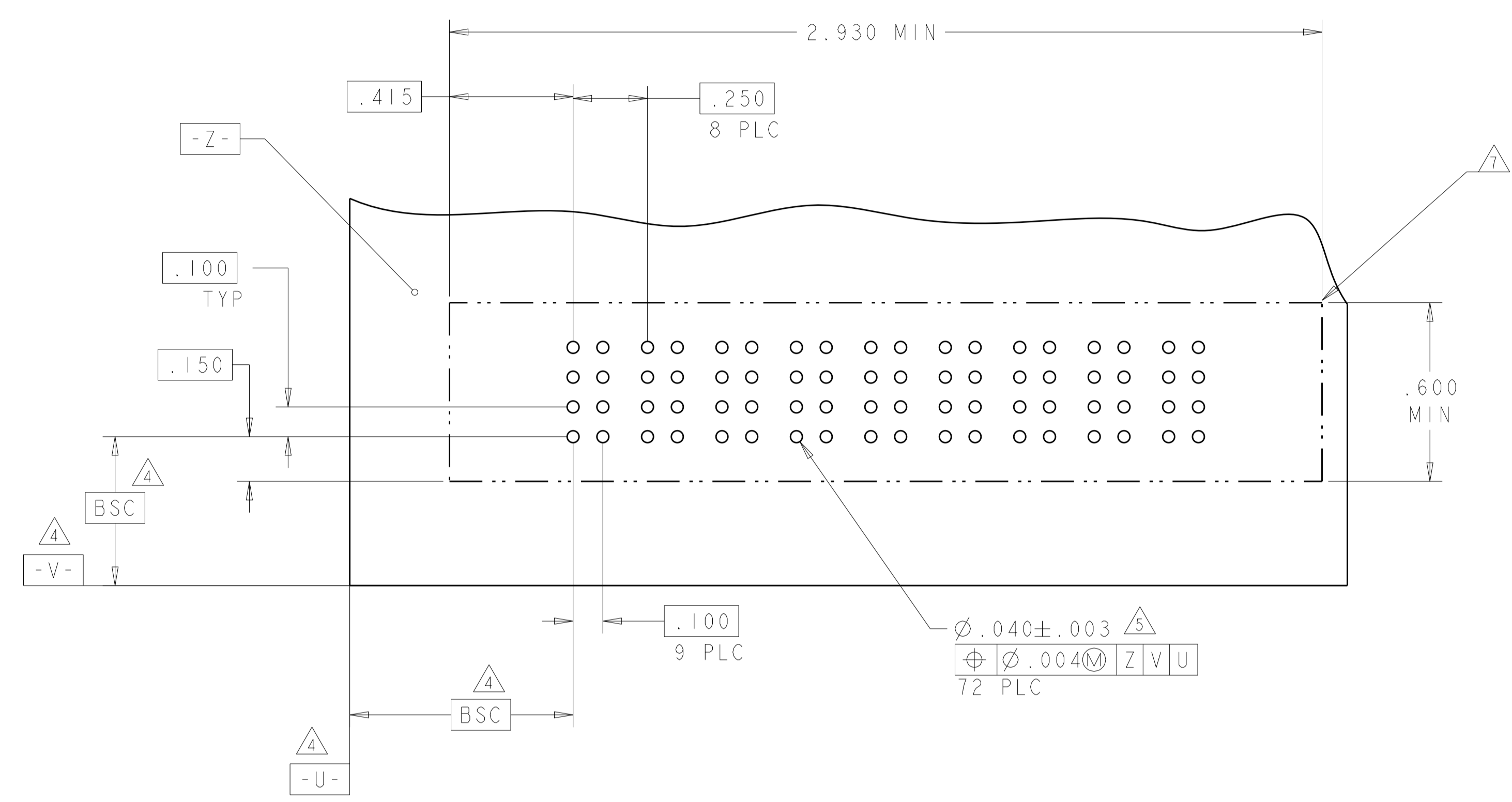
STE TE Connectivity
 NAME: VERTICAL HEADER CONN, W/GUIDES
 PRESS FIT, TYPE P
 MULTI-BEAM XL

LOC	DIST	REV	DATE	BY	APPV
GP	00				

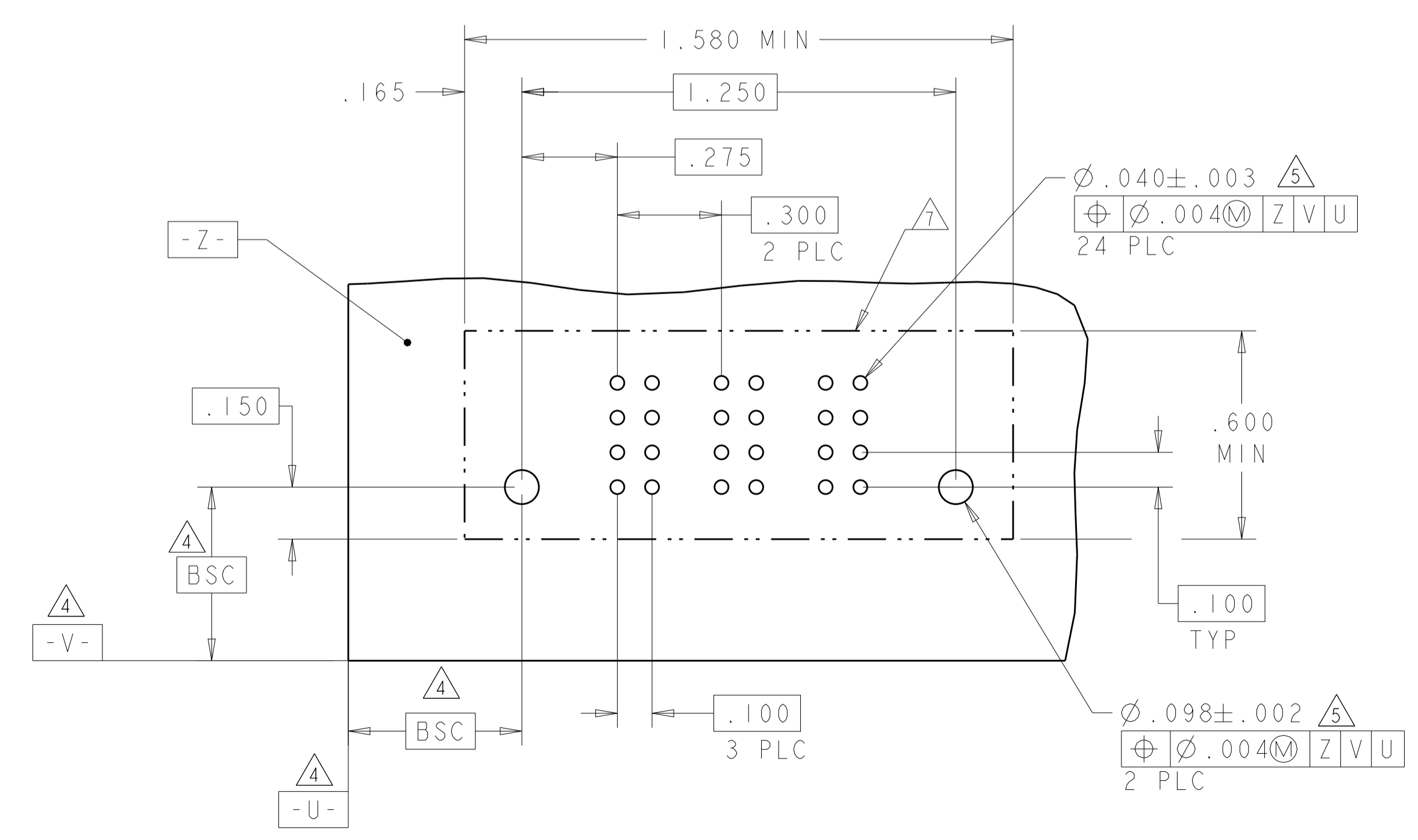
REVISIONS			
REV	DATE	BY	APPV
-	-	-	-
-	-	-	-

PART NUMBER	ROWS	POWER								
		P1	P2	P3	P4	P5	P6	P7	P8	P9
6600303-5	D		VM	VM	VM	VM	VM	VM	VM	VM
	C									
	B									
	A									
9P										

PART NUMBER	ROWS	POWER						
		P1	P2	P3	P4	P5	P6	
6600303-6	D		VM	VM	VM	VM	VM	VM
	C							
	B							
	A							
6P		HD					HD	



PART NUMBER	ROWS	POWER			
		P1	P2	P3	
6600303-7	D		VM	VM	VM
	C				
	B				
	A				
3ACP		HD		HD	



THIS DRAWING IS A CONTROLLED DOCUMENT.

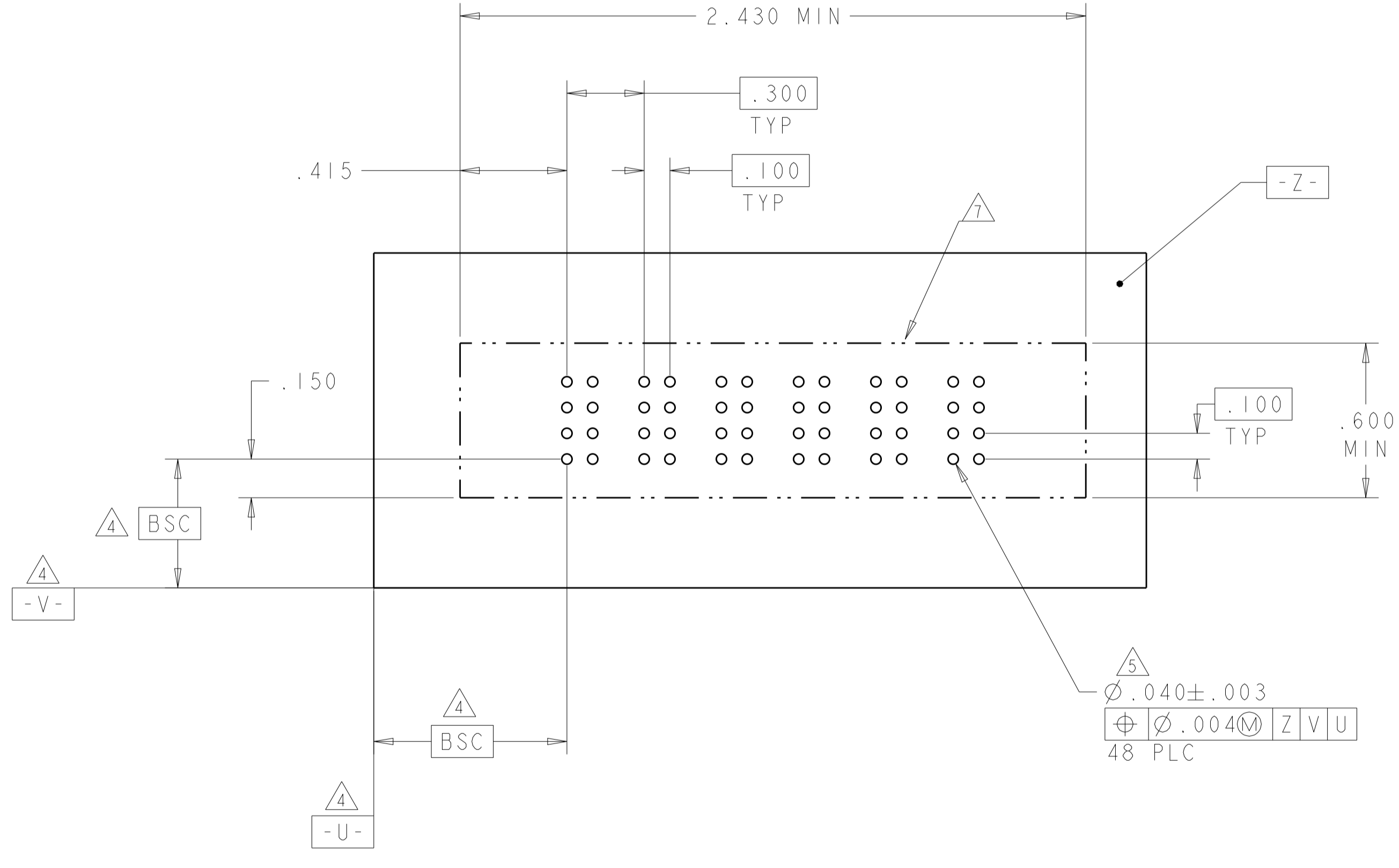
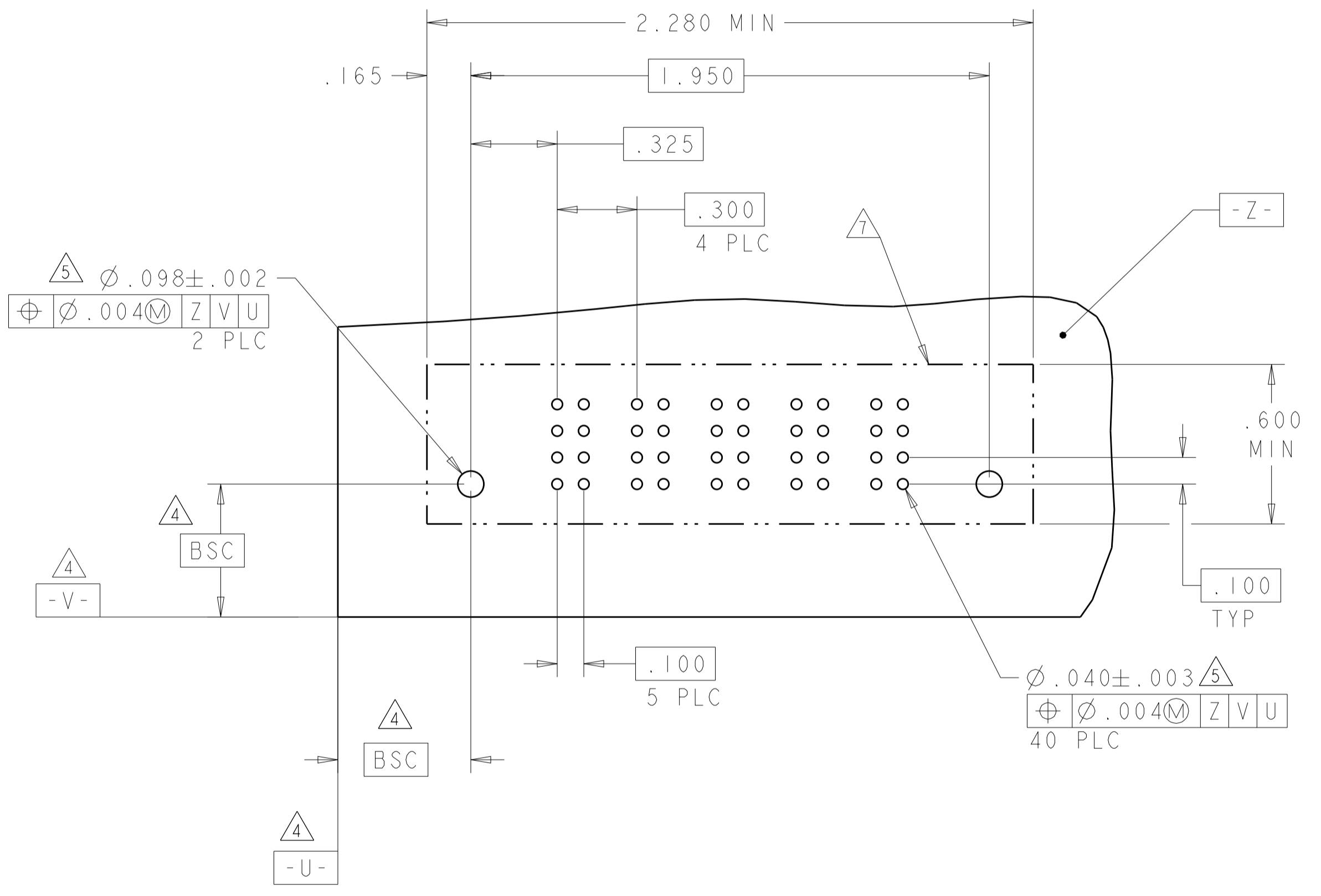
DIMENSIONS: INCHES	TOLERANCES UNLESS OTHERWISE SPECIFIED:	DWN: D. RINGLER 15MAR06 CHK: M. PERCHERKE 15MAR06 APVD: M. PERCHERKE 15MAR06	TE Connectivity NAME: VERTICAL HEADER CONN, W/GUIDES PRESS FIT, TYPE P MULTI-BEAM XL
0 PLC ±. 1 PLC ±. 2 PLC ±. 3 PLC ±.005 4 PLC ±. 5 PLC ±.	FINISH: ±. ANGLES: ±.	PRODUCT SPEC: 108-1973 APPLICATION SPEC: 114-13038 WEIGHT: -	

CUSTOMER DRAWING SCALE 2:1 SHEET 4 OF 6 REV B8

LOC	DIST	REVISIONS			
P	LTN	DESCRIPTION	DATE	DMN	APVD
-	-	SEE SHEET 1	-	-	-

PART NUMBER	ROWS	POWER					HD
		P1	P2	P3	P4	P5	
6600303-9	D	HD	VM	VM	VM	VM	VM
	C						
	B						
	A						
5ACP							

PART NUMBER	ROWS	POWER						HD
		P1	P2	P3	P4	P5	P6	
1-6600303-0	D	HD	VM	VM	VM	VM	VM	VM
	C							
	B							
	A							
6ACP								



THIS DRAWING IS A CONTROLLED DOCUMENT.

DIMENSIONS: INCHES	TOLERANCES UNLESS OTHERWISE SPECIFIED:	DMN: D. RINGLER 15MAR06	CHK: M. PERCHERKE 15MAR06	APVD: M. PERCHERKE 15MAR06	NAME: VERTICAL HEADER CONN, W/GUIDES PRESS FIT, TYPE P MULTI-BEAM XL
0 PLC ±	1 PLC ±	PRODUCT SPEC: 108-1973	APPLICATION SPEC: 114-13038	WEIGHT: -	SIZE: A1
2 PLC ±	3 PLC ±	CAGE CODE: -	DRAWING NO: 6600303	CUSTOMER DRAWING	SCALE: 2:1
4 PLC ±	ANGLES ±	FINISH: -	REV: B8	SHEET: 5 OF 6	RESTRICTED TO: -

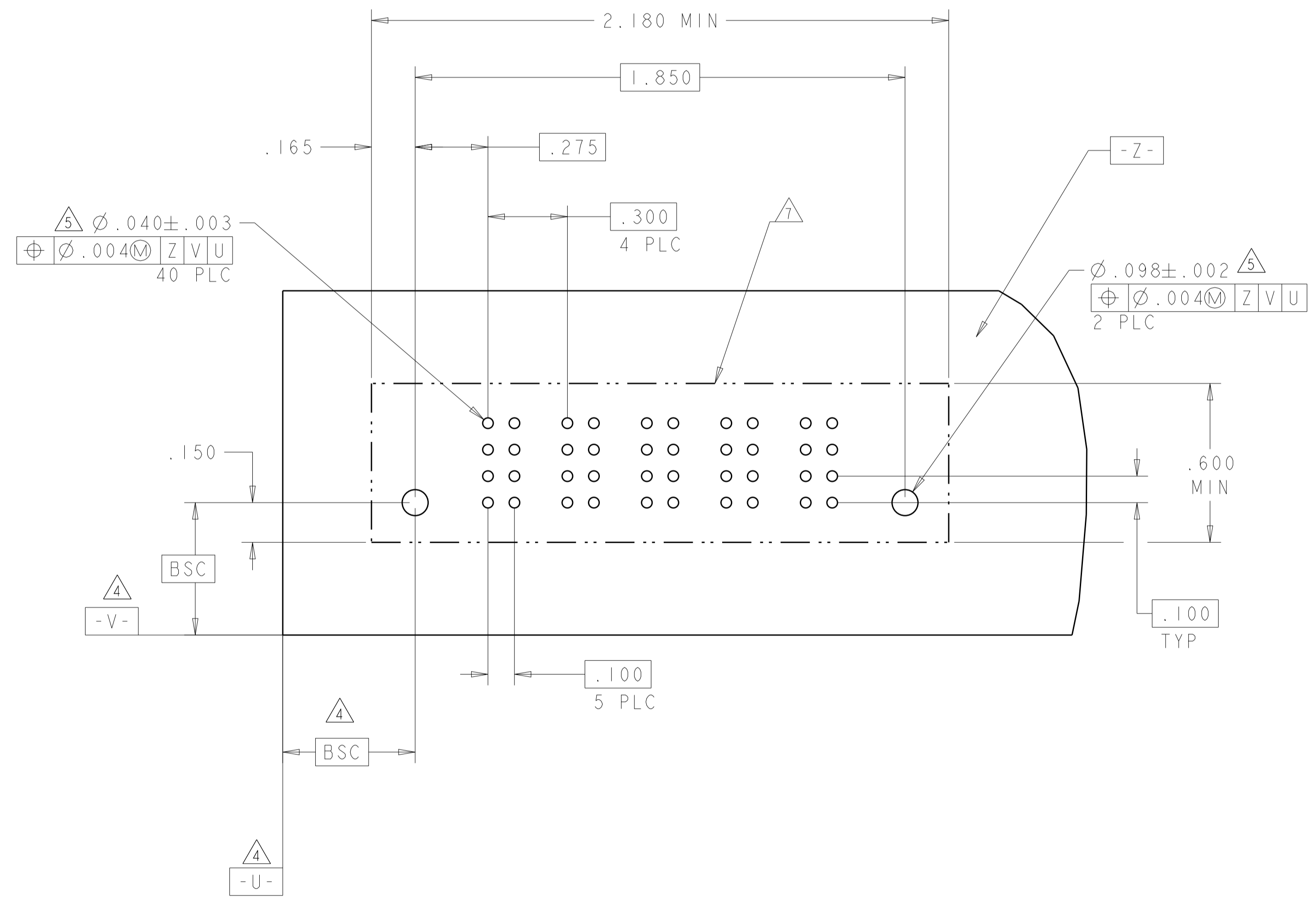
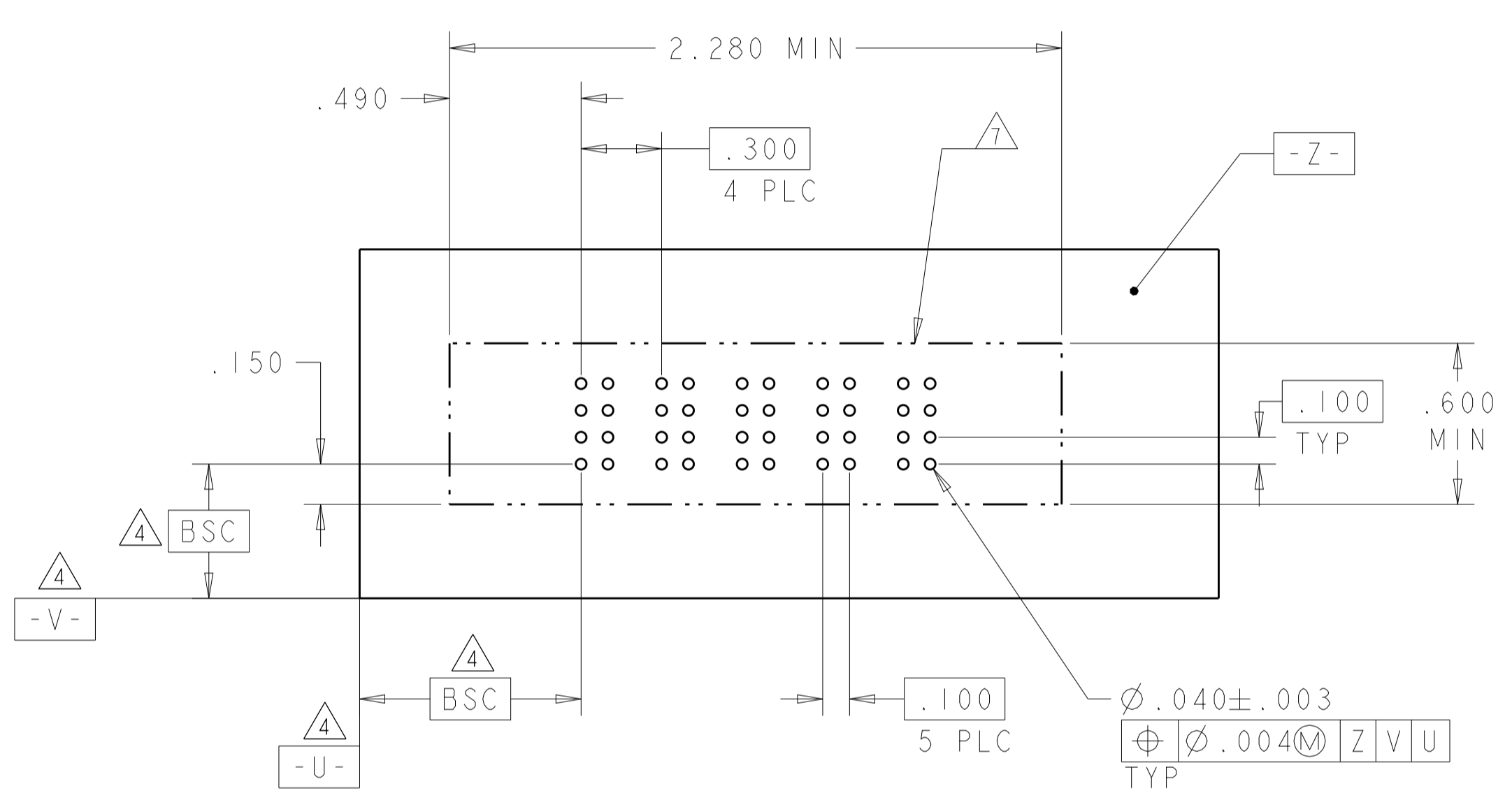
4805 (3/11)

LOC	DIST	REVISIONS			
P	LTN	DESCRIPTION	DATE	DMN	APVD
-	-	SEE SHEET 1	-	-	-

B5

PART NUMBER	ROWS	POWER				
		P1	P2	P3	P4	P5
1-6600303-1	D	VM	VM	VM	VM	VM
	C					
	B					
	A					
5ACP						

PART NUMBER	ROWS	POWER				
		P1	P2	P3	P4	P5
1-6600303-2	D	VM	VM	VM	VM	VM
	C					
	B					
	A					
5ACP						



THIS DRAWING IS A CONTROLLED DOCUMENT.

DIMENSIONS: INCHES	TOLERANCES UNLESS OTHERWISE SPECIFIED: 0 PLC ± 1 PLC ± 2 PLC ± 3 PLC ±.005 4 PLC ± ANGLES ±	FINISH	DMN D. RINGLER 15MAR06	CHK M. PERCHERKE 15MAR06	APVD M. PERCHERKE 15MAR06	NAME STE	TE Connectivity
MATERIAL			PRODUCT SPEC 108-1973	APPLICATION SPEC 114-13038	WEIGHT	SIZE A1	RESTRICTED TO
			CAGE CODE 100779	DRAWING NO 6600303		SCALE 2:1	SHEET 6 OF 6
			CUSTOMER DRAWING			REV B8	