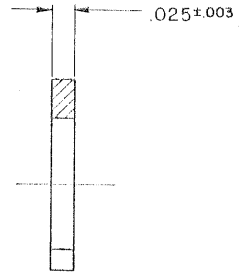
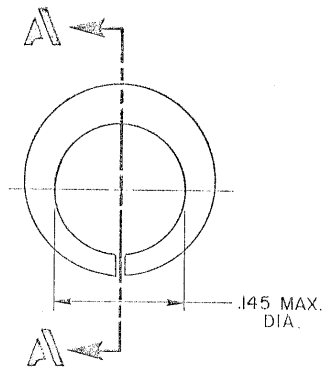


REVISIONS				
NO.	LETTER	DESCRIPTION	DATE	APPROVED
1	A	REVISED PER CON 7-018, 037	27 Sept 79	JF



SECTION A-A

- 1. MATERIAL: BERYLLIUM COPPER PER QQ-C-533.
- 2. FINISH: CADMIUM PLATE PER QQ-P-416 CL2, TYPE II.
- 3. WEIGHT: .00014 Lbs. [.0635g.] MAX.

© Raychem Corporation 1979

CONNECTOR SPECIFICATION CONTROL DRAWING

UNLESS OTHERWISE SPECIFIED DIMENSIONS ARE IN INCHES BRACKETED DIMENSIONS () ARE METRIC AND TOLERANCES ARE: .XXX: ± .005 (.127mm) .XX: ± () Δ: ±	DRAWN	A M LEE	6-20-79	 <small>RAYCHEM CORPORATION 390 CONSTITUTION DRIVE MENLO PARK, CALIFORNIA 94025</small>		
	CHECKED	[Signature]	6-10-79			
	APPROVED	[Signature]	6-28-79	TITLE		
	APPROVED			RING, RETAINING		
	APPROVED					
	PROJECT	6448-7072	SIZE	CODE IDENT	DWG. NO.	
			C	NO. 06090	CTA-0029	
					WEIGHT	SHEET / OF /

If this document is printed it becomes uncontrolled.
 Check with the web for latest revision.

DO NOT SCALE THIS DRAWING