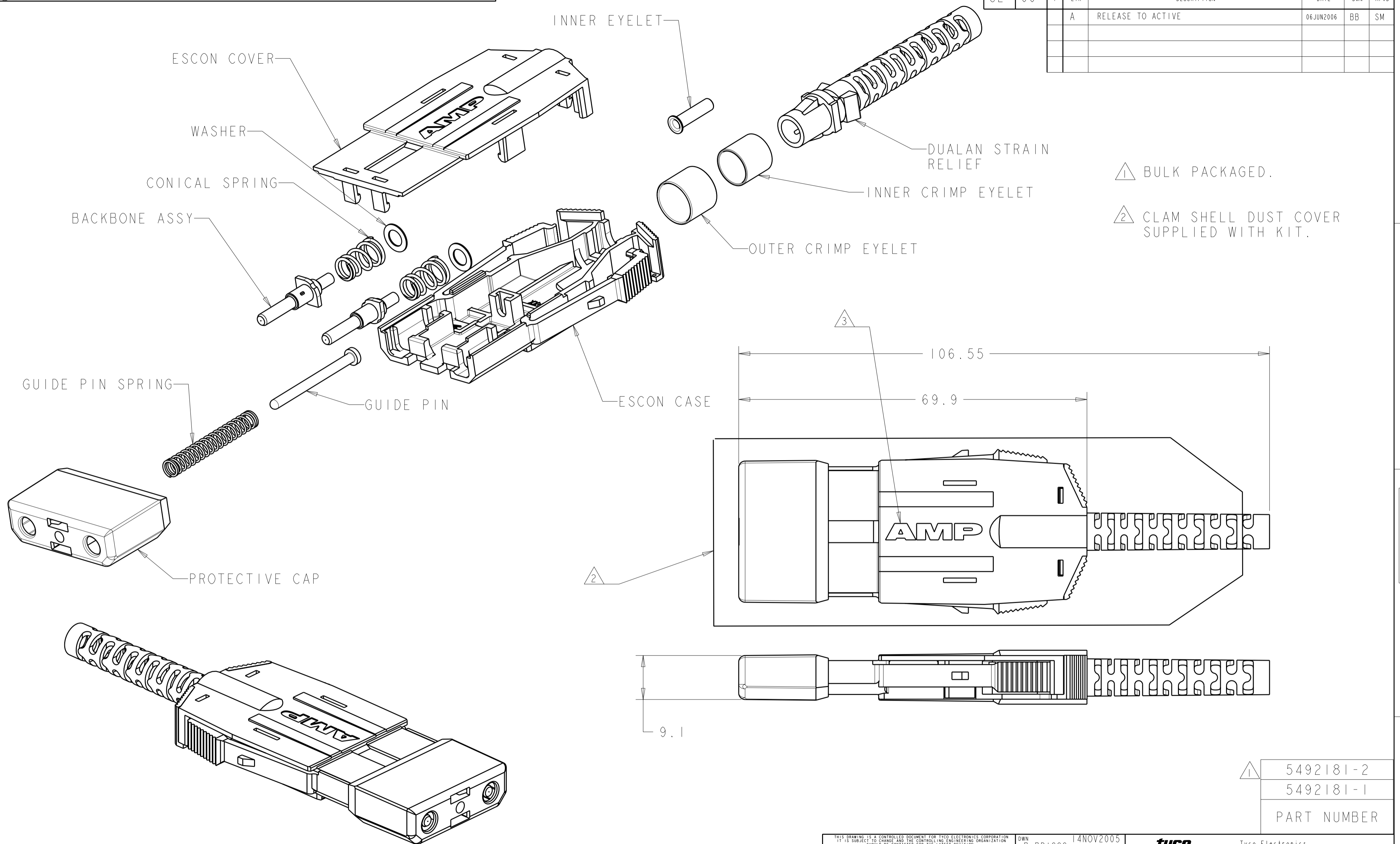


THIS DRAWING IS UNPUBLISHED. RELEASED FOR PUBLICATION 20  
 © COPYRIGHT 20 BY TYCO ELECTRONICS CORPORATION. ALL RIGHTS RESERVED.

LOC	DIST	REVISIONS					
CE	00	P	LTR	DESCRIPTION	DATE	DWN	APVD
		A		RELEASE TO ACTIVE	06JUN2006	BB	SM



△	5492181-2
	5492181-1
	PART NUMBER

THIS DRAWING IS A CONTROLLED DOCUMENT FOR TYCO ELECTRONICS CORPORATION. IT IS SUBJECT TO CHANGE AND THE CONTROLLING ENGINEERING ORGANIZATION SHOULD BE CONTACTED FOR THE LATEST REVISION.		DWN	B. BRIGGS	14NOV2005	Tyco Electronics Harrisburg, PA 17105-3608	
DIMENSIONS:		CHK	D. KIRSCH	14NOV2005		
mm		APVD	S. BUCHTER	14NOV2005		
TOLERANCES UNLESS OTHERWISE SPECIFIED:		PRODUCT SPEC				
0 PLC	±	APPLICATION SPEC			NAME	AMP ESCON CONNECTOR KIT, DUALAN
1 PLC	±0.5	WEIGHT			SIZE	
2 PLC	±0.13	CUSTOMER DRAWING			CAGE CODE	A200779
3 PLC	±0.013	SCALE		2:1	DRAWING NO	C-5492181
4 PLC	±	SHEET		1	RESTRICTED TO	
ANGLES	±	OF		1	REV	A
FINISH		REV				