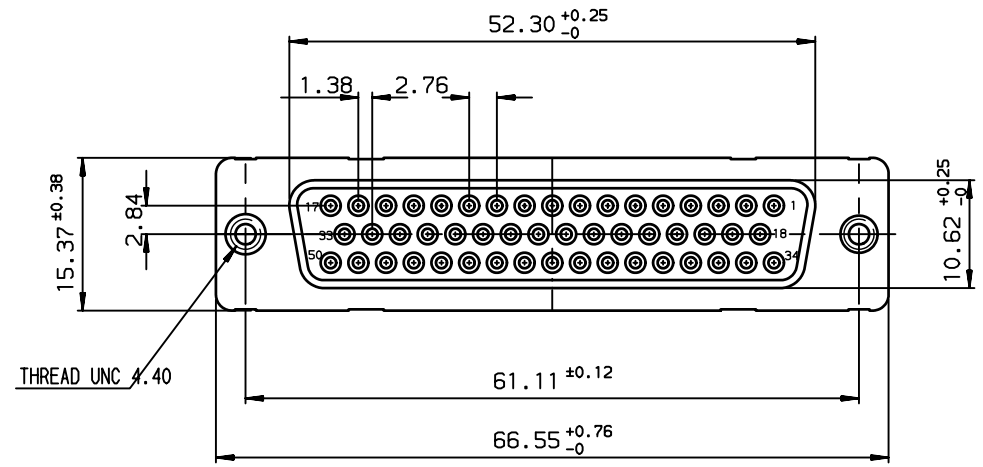
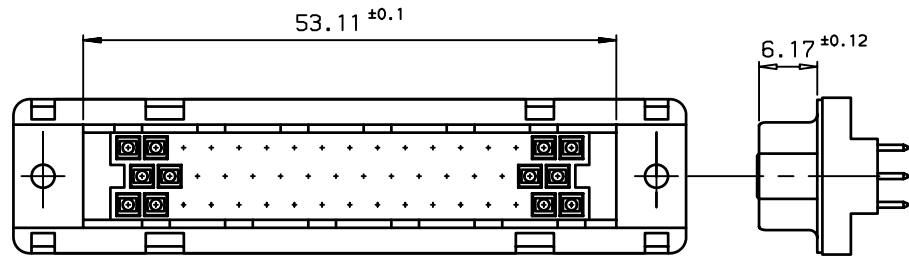
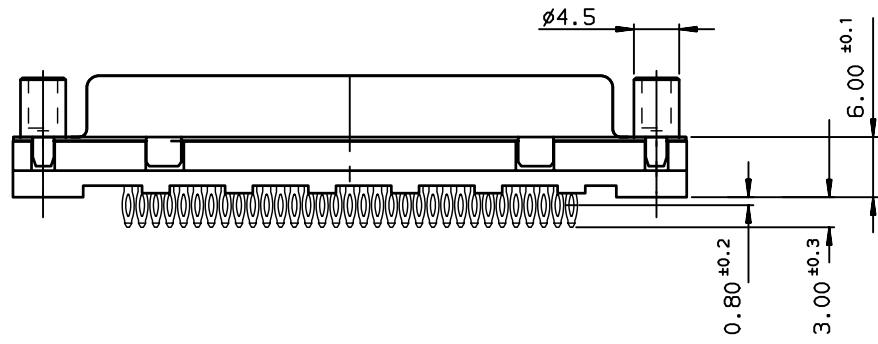


1 2 3 4

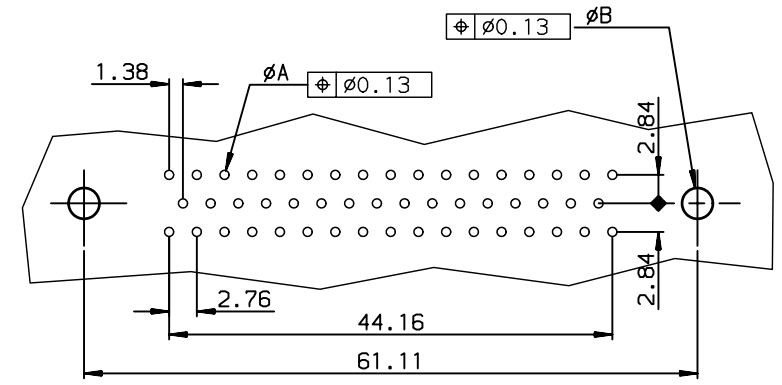
A



B



PC board drilling dimensions
(after plating - thickness: 1.60 to 3.20 mm)



C

TIN LEAD PART NUMBER

PART NUMBER	
flash gold	D50S91C4PV00
0.76µ gold	D50S91C6PV00

LEAD FREE PART NUMBER

PART NUMBER	
flash gold	D50S91C4PV00LF
0.76µ gold	D50S91C6PV00LF

GENERAL CHARACTERISTICS AND ROHS INFORMATIONS:
SEE DRAWING C01-8646-0001

European Views

www.fciconnect.com		surface ISO 1302 ✓	tolerance std ISO 406 ISO 1101	projection mm
TOLERANCES UNLESS OTHERWISE SPECIFIED				
Dr	JOUBERT	1996/08/12	0.X	±0.1
Eng	PESSON	1996/08/12	0.XX	±0.1
Chr	LEGARE	1996/08/12	0.XXX	±0.1
Appr	LEGARE	1996/08/12	Product family D-SUB Spec ref -	
title FEMALE CONNECTOR DELTA D STD EUROPE		size A3		Scale 2
catalog no		ECN LS08-0217		Rev. E
dwg no C01-8646-0478		CUSTOMER		sheet 1 of 1

rev	ecn no	dr	date
A	-	JOU	1996/08/12
B	LS05-004	MPE	2005/02/11
C	LS06-0095	LGO	2006/06/29
D	LS06-0140	LGO	2006/09/22
E	LS08-0217	MPE	2008/11/25
-	-	-	-
-	-	-	-

Copyright FCJ.

REV F - 2006-04-17

1 2 3 4