

5

4

3

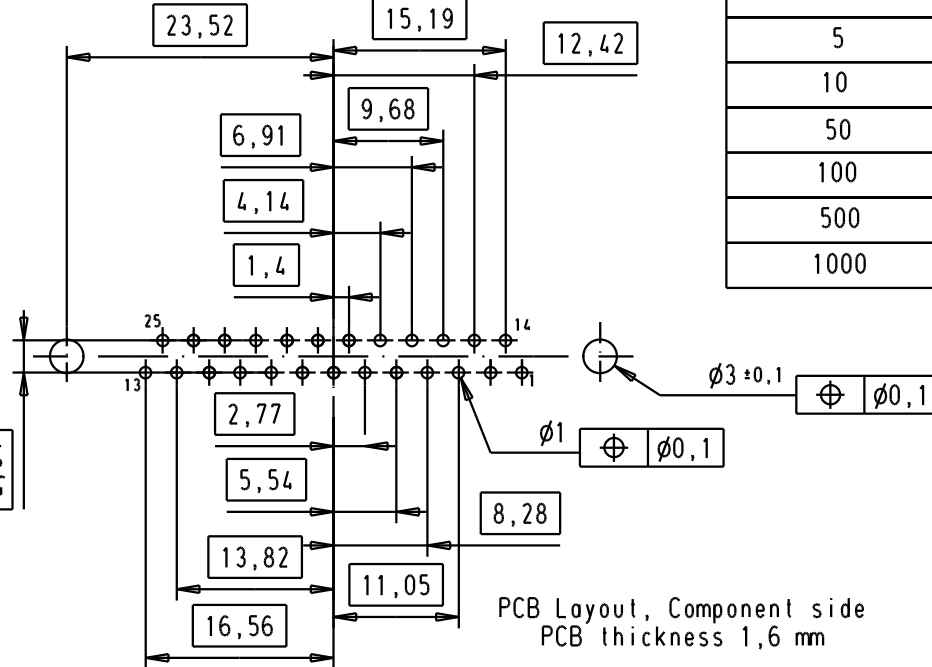
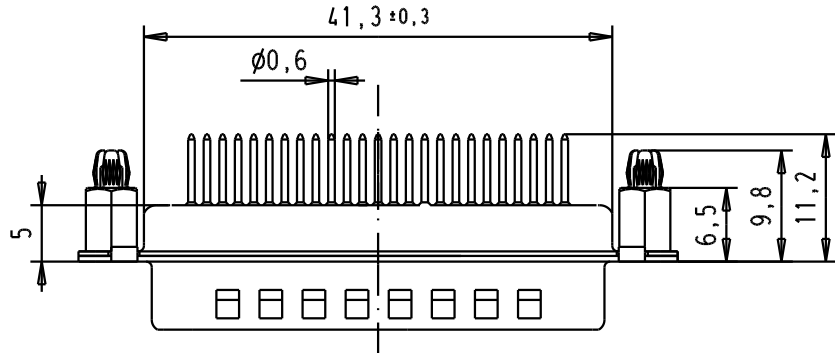
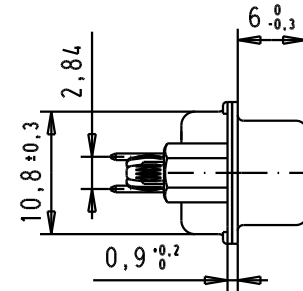
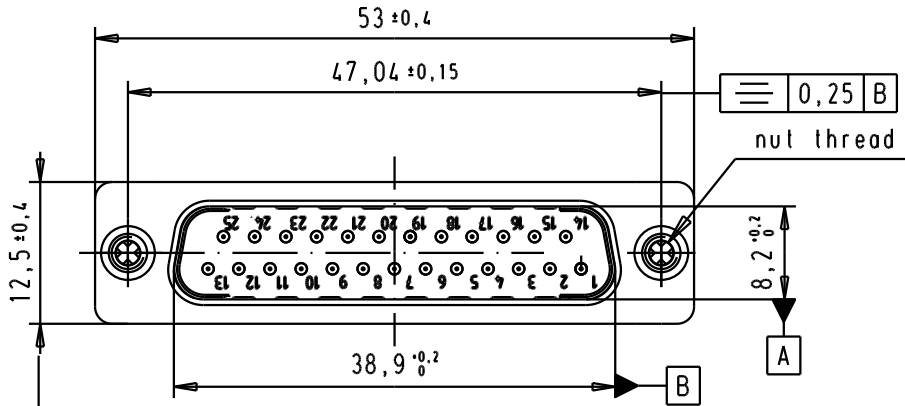
2

1

SPECIFICATION

Filter type	C
Mating Cycles	500
Capacitance	1000pf \pm 20%
Working Voltage	100v
Current Rating	7.5A
Insulation Resistance	>1G Ω

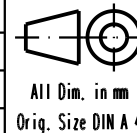
FREQUENCY (MHz)	ATTENUATION (dB)
5	1dB
10	3dB
50	12dB
100	20dB
500	34dB
1000	30dB



09 64 322 7236	M3
09 64 322 7235	UNC 4-40
Part number	nut thread

				Det.	8- JUL -02
				Insp.	
				Stand.	
31897	17/05/04	AF			
31058	8- JUL -02	CV			
Mod.	Dat.	Name			

HARTING EURL
F-95972 Paris



All Dim. in mm
Orig. Size DIN A 4

D-Sub, male, straight,
25 Poles, with turned
solder pin, spacer nut
with board lock

Magn. Scale

1.5:1

TB 0964322723x

Sub.

Blatt/ Page

2 / 3