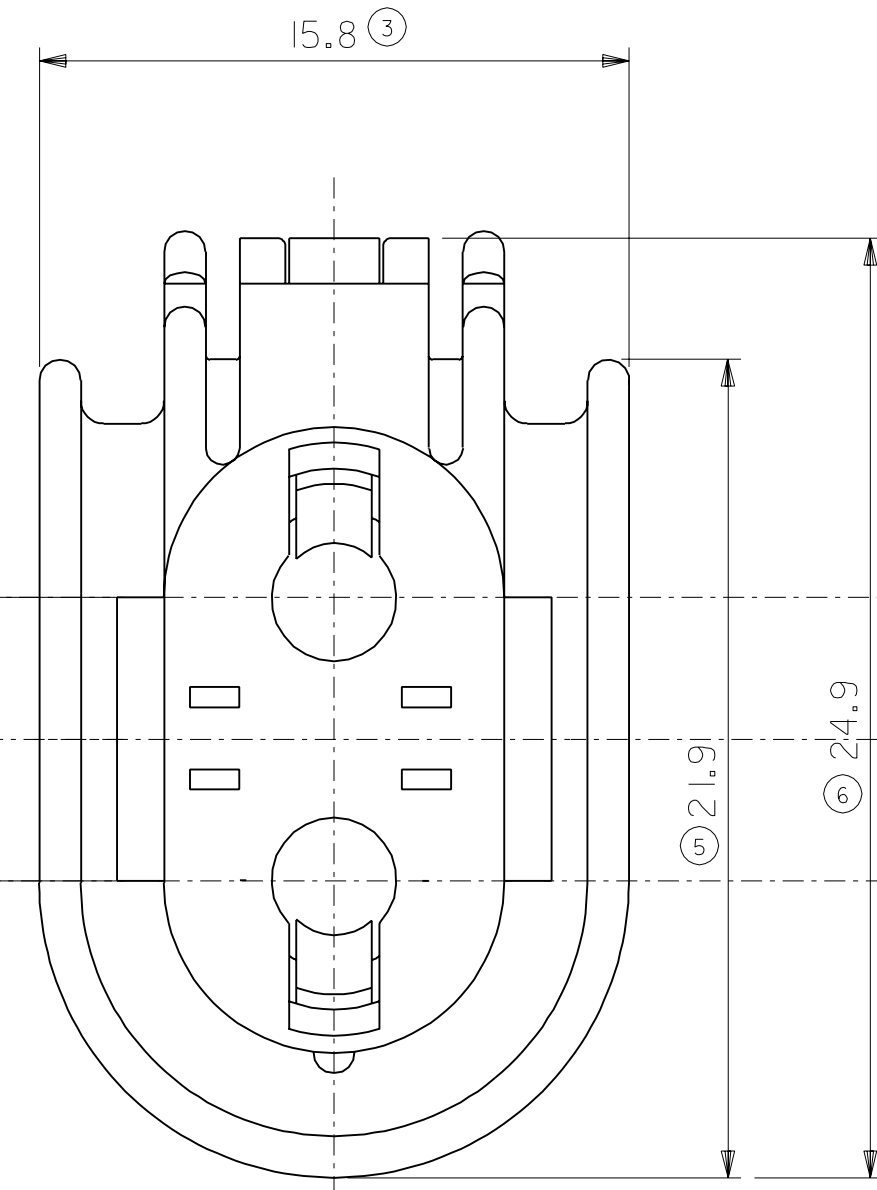
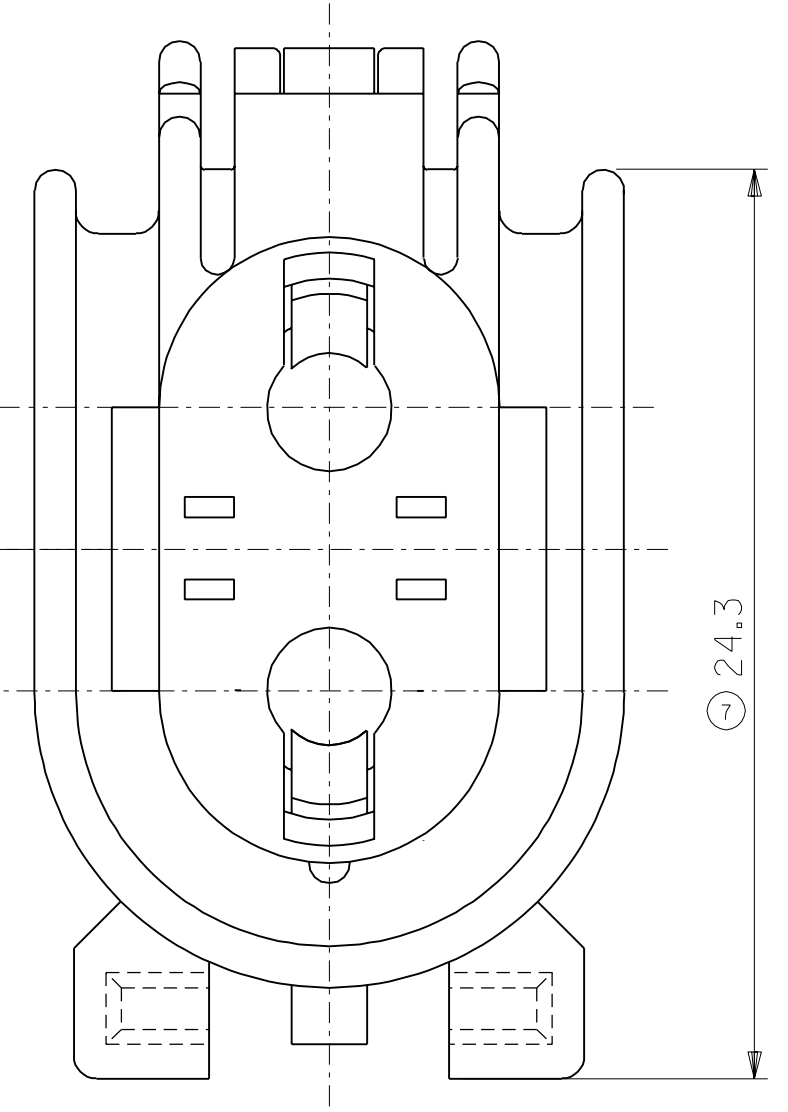


2 SPACER  
1<sup>ST</sup> STOP POSITION  
(COLOR BLUE)



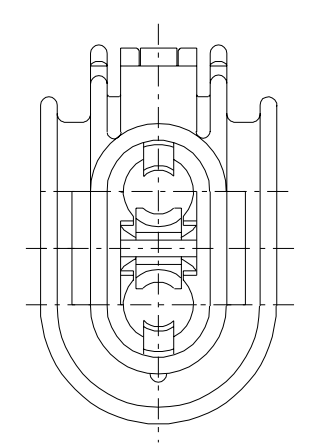
VERSION WITHOUT MOUNTING-CLIP



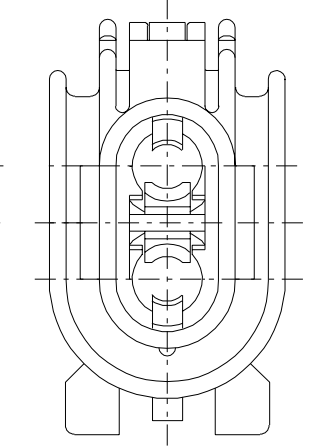
VERSION WITH MOUNTING-CLIP

MATERIAL: 1 PBTP 30% GV  
2 PBTP 30% GV  
5 SILICON RUBBER

COLOR	FARBE	RAL	MOLEX-NO.
BLACK	SCHWARZ	9005	98019-0001
BROWN	BRAUN	8017	98019-0002
BLUE	BLAU	5015	98019-0003
GREEN	GRUEN	6001	98019-0004
YELLOW	GELB	1018	98019-0005
GREY	GRAU	7035	98019-0006
ORANGE	ORANGE	1007	98019-0007
NATURAL	NATUR	-	98019-0008



COLOR	FARBE	RAL	MOLEX-NO.
BLACK	SCHWARZ	9005	98019-0011
BROWN	BRAUN	8017	98019-0012
BLUE	BLAU	5015	98019-0013
GREEN	GRUEN	6001	98019-0014
YELLOW	GELB	1018	98019-0015
GREY	GRAU	7035	98019-0016
ORANGE	ORANGE	1007	98019-0017
NATURAL	NATUR	-	98019-0018



MOLEX - CODE (ANY No.)  
 XXXXX - X X X X  
 I-8 COLOR  
 O=WITHOUT CLIP  
 I=WITH CLIP  
 O=HOUSING WITH SPACER  
 I=HOUSING WITHOUT SPACER  
 BASIC PART - NO.

FOR PREVIOUS  
DRAWING ISSUES  
SEE "EDIS"

ECN MXC 2678 NME 23.09.97	LTR REVISIONS	THIRD ANGLE PROJECTION	REVISE ONLY ON CAD SYSTEM	SH.	REV.
		DIMENSIONS SHOWN ( METRIC ) INCH UNLESS OTHERWISE SPECIFIED TOLERANCES: ANGULAR *	CAD/CAM FILENAME SDA98019 DGN	THIS DRAWING CONTAINS INFORMATION THAT IS PROPRIETARY TO MOLEX INC. & SHOULD NOT BE USED WITHOUT WRITTEN PERMISSION	
		INCH ( METRIC )	TITLE	2-WAY HOUSING FOR FEMALE TERMINAL WATERPROOF 2.8-SYSTEM	
		3 PLACE ± ± 2 PLACE ± ± 1 PLACE ± ± 0.20	MOLEX	SHEET NO.	DATE
		DESIGN DIMENSION (MM) [X] (MM) (PRIMARY) □ IN.	JHO	1 / 1	19 / 02 / 87
		EQUIVALENT DIMENSION (MM) □ (MM) (SECONDARY) □ IN.	SCALE	PART NO. SDA-98019	
			5:1	SIZE C	