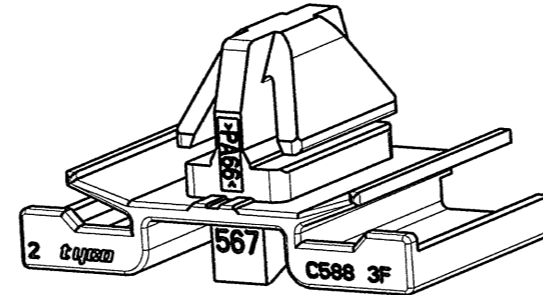
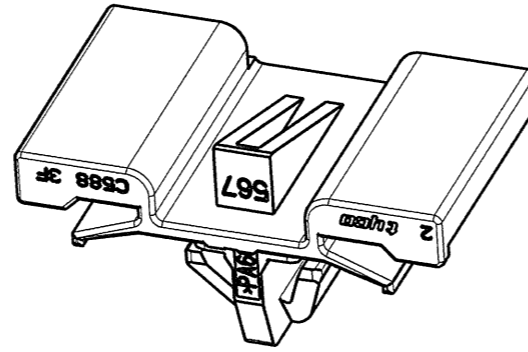


LOC	DIST
A1	-

REVISIONS

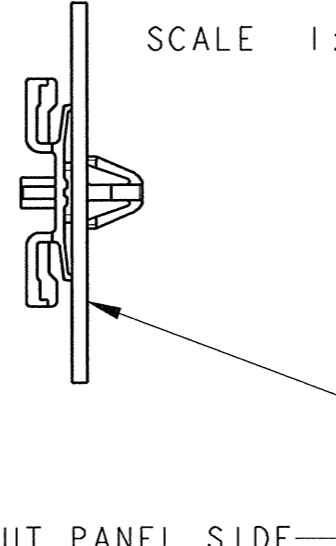
P	LTR	DESCRIPTION	DATE	DWN	APVD
0		PRELIMINARY ISSUE	10JUL2003	F. A.	O. C.
A		FIRST ISSUE WAS 03-51124 (ET00-0223-03)	03DEC2003	F. A.	O. C.
A1		RELEASED FOR PRODUCTION (ET00-0223-04)	13DEC2004	F. A.	O. C.
B		MODIFIED PART (ECR-07-000770)	15JAN2007	F. A.	O. C.

SCALE 2:1



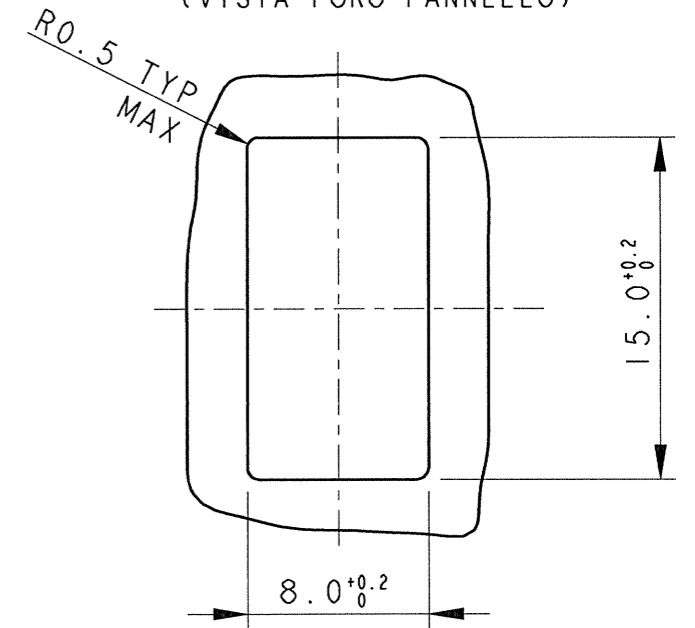
SCALE 2:1

SCALE 1:1

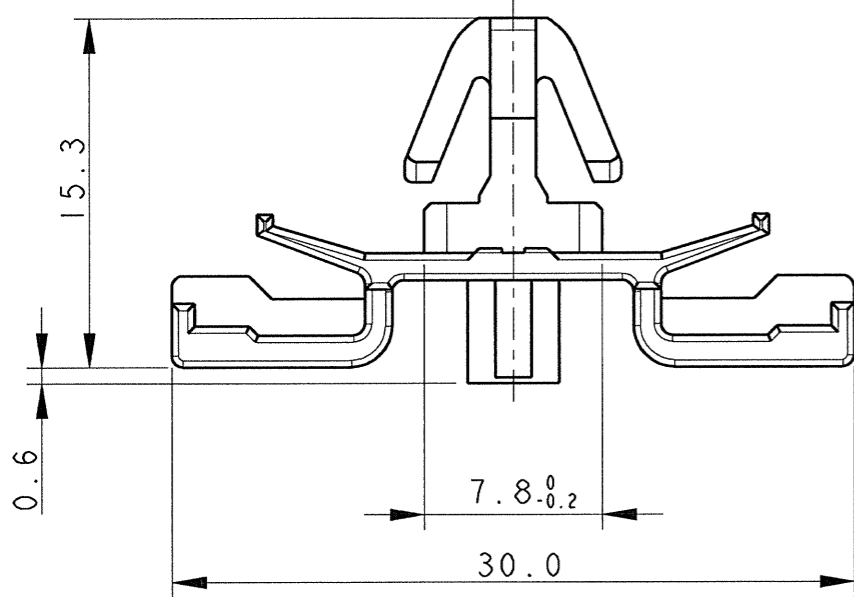


CUT OUT PANEL SIDE WITH TRIMMING BURRS (LATO PANNELLO CON BAVE DI TRANCIA)

PANEL HOLE VIEW (VISTA FORO PANNELLO)

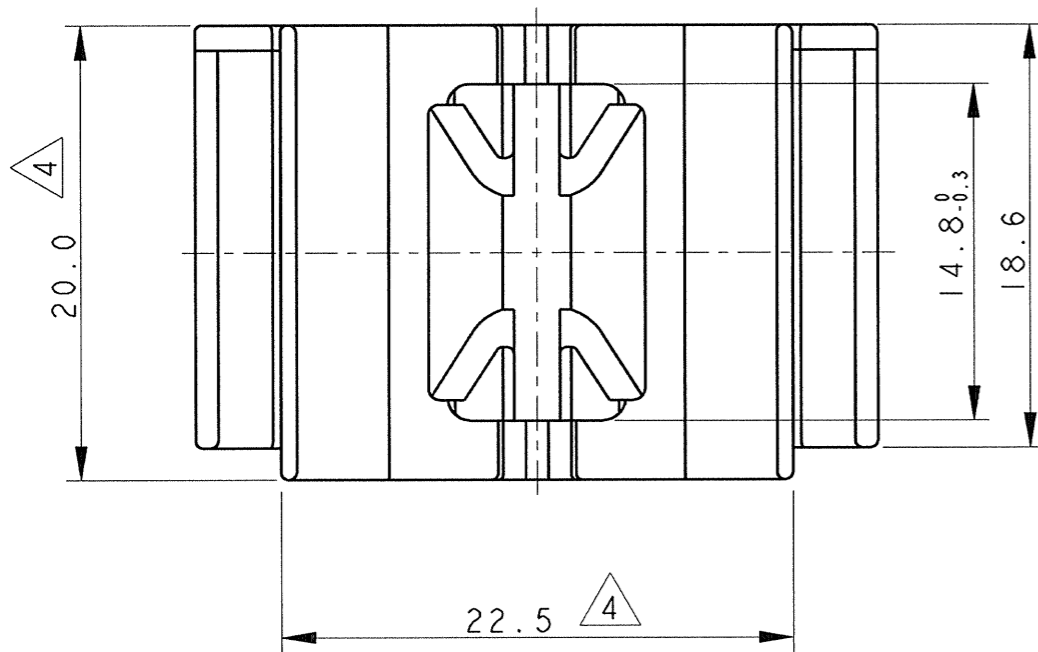


THICKNESS: 2<sup>+0.2</sup><sub>-0.2</sub> mm  
SPESSORE: 2<sup>+0.2</sup><sub>-0.2</sub> mm



NOTES:  
(NOTE:)

- 1 MATERIAL: PA 66 COLOUR BLACK  
MATERIALE: PA 66 COLORE NERO
- 2) SUITABLE FOR 12 WAYS SEALED CONNECTOR P/N 284844-X  
ADATTO PER CONNETTORE 12 VIE SEALED P/N 284844-X
- 3) SUITABLE FOR 8<sup>+0.2</sup><sub>-0.2</sub> X 15<sup>+0.2</sup><sub>-0.2</sub> mm WIDE AND 2<sup>+0.2</sup><sub>-0.2</sub> mm THICK PANEL HOLE (SEE PANEL VIEW)  
ADATTO PER FORO 8<sup>+0.2</sup><sub>-0.2</sub> X 15<sup>+0.2</sup><sub>-0.2</sub> mm SU PANNELLO SPESSO 2<sup>+0.2</sup><sub>-0.2</sub> mm (VEDERE VISTA PANNELLO)
- 4 A PLANE SURFACE ON THE PANEL IS REQUESTED FOR THESE DIMENSIONS ▭ 0.2  
DIMENSIONI PER LE QUALI E' RICHIESTA SUL PANNELLO UNA SUPERFICIE PIANA ▭ 0.2



P/N 1745011-1 AS SHOWN  
P/N 1745011-1 COME MOSTRATO

<small>THIS DRAWING IS A CONTROLLED DOCUMENT FOR TYCO ELECTRONICS CORPORATION IT IS SUBJECT TO CHANGE AND THE CONTROLLING ENGINEERING ORGANIZATION SHOULD BE CONTACTED FOR THE LATEST REVISION.</small>		DWN F. AMERIO 10JUL2003 CHK O. CANUTO 10JUL2003 APVD A. GENTA 10JUL2003	<b>tyco</b> tyco Electronics AMP Italy <b>Electronics</b> C.so F.lli Cervi 15 Collegno (TO)	
DIMENSIONS: mm	TOLERANCES UNLESS OTHERWISE SPECIFIED: 0 PLC ±0.3 1 PLC ±0.3 2 PLC ±0.3 3 PLC ± 4 PLC ± ANGLES ±1°	NAME PANEL HOOK FOR 12 W. SEALED CONNECTOR GANCIO A PANNELLO PER CONNETTORE 12 VIE STAGNO	SIZE A3	CAGE CODE 00779
MATERIAL <span style="border: 1px solid black; padding: 2px;">▭ 0.2</span>	FINISH <span style="border: 1px solid black; padding: 2px;">▭ 0.2</span>	DRAWING NO C-1745011	RESTRICTED TO -	SCALE 5:1
CUSTOMER DRAWING		SHEET 1 OF 1	REV B	APVD -