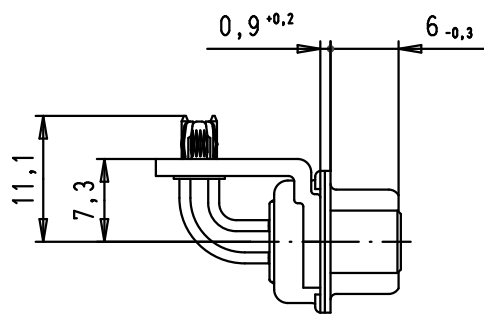
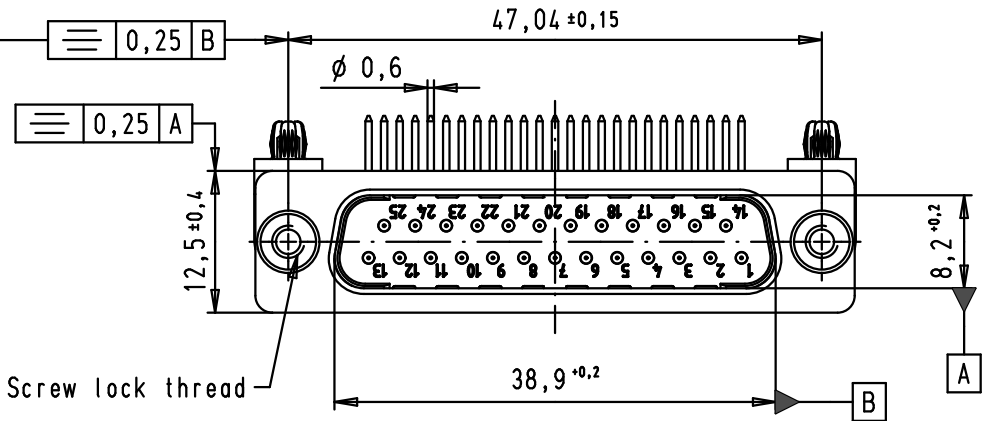


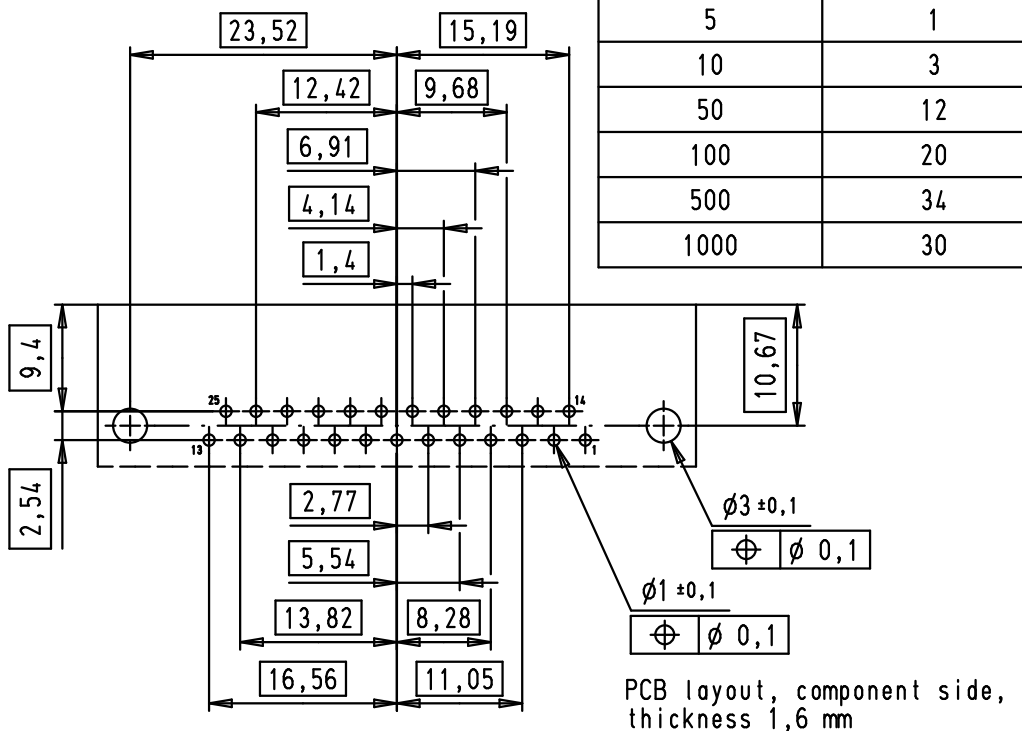
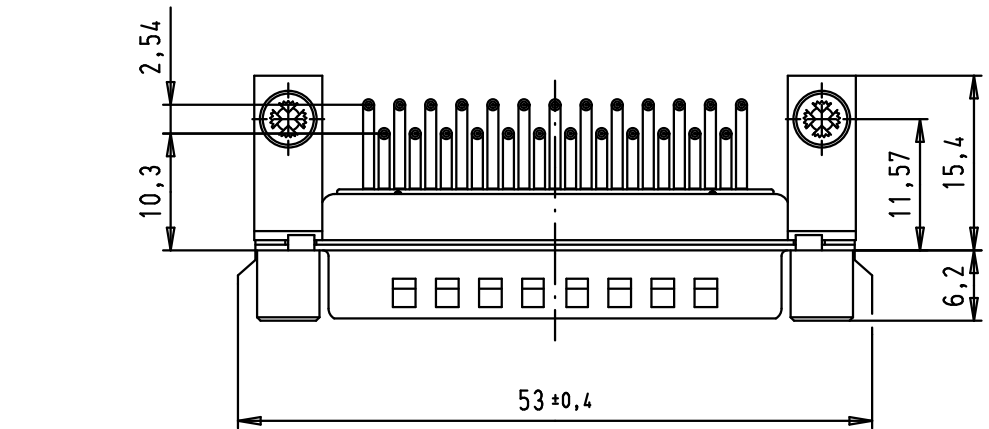
5 4 3 2 1



SPECIFICATIONS

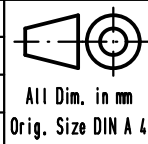
Mating cycles	500
Filter type	C
Capacitance	1000 pF ± 20%
Working voltage	100 V
Current rating	7,5 A
Insulation resistance	> 1 GΩ

FREQUENCY (MHz)	ATTENUATION (dB)
5	1
10	3
50	12
100	20
500	34
1000	30



09 64 324 7235	M3
09 64 324 7234	4-40 UNC-2B
Part number	Screw lock thread

			Det.	Name
			08/07/02	CV
EC01003	25/11/09	PK	Insp.	
33790	01/08/06	PK	Stand.	
32111	03/06/04	AF		
31058	08/07/02	CV		
Mod.	Det.	Name	HARTING EURL F-95972 Paris	



D-Sub, male, angled,
25 poles, turned solder pins,
screw locks and
brackets with board locks

Maßstab/
Scale
1,5:1
Blatt/ Page
2 / 4

TB 09 64 324 723X
Sub.

