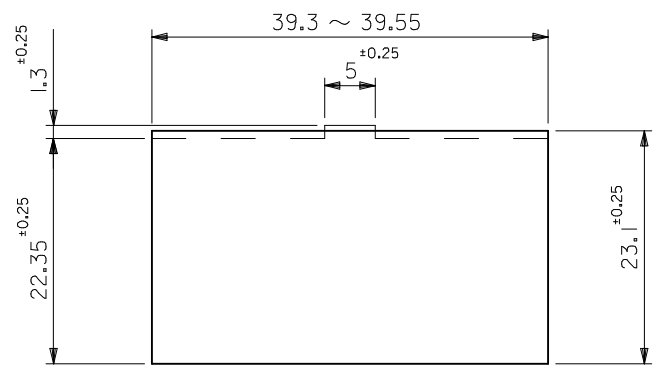
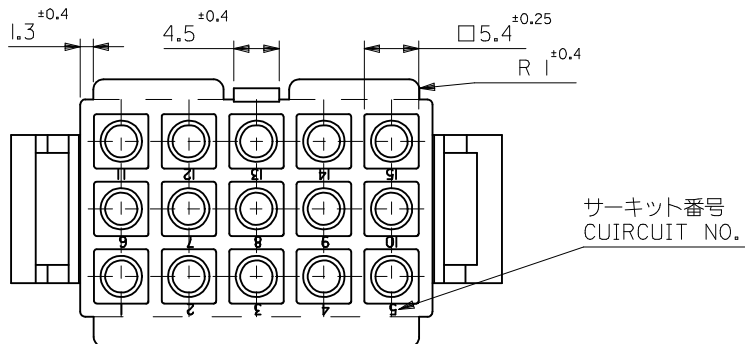
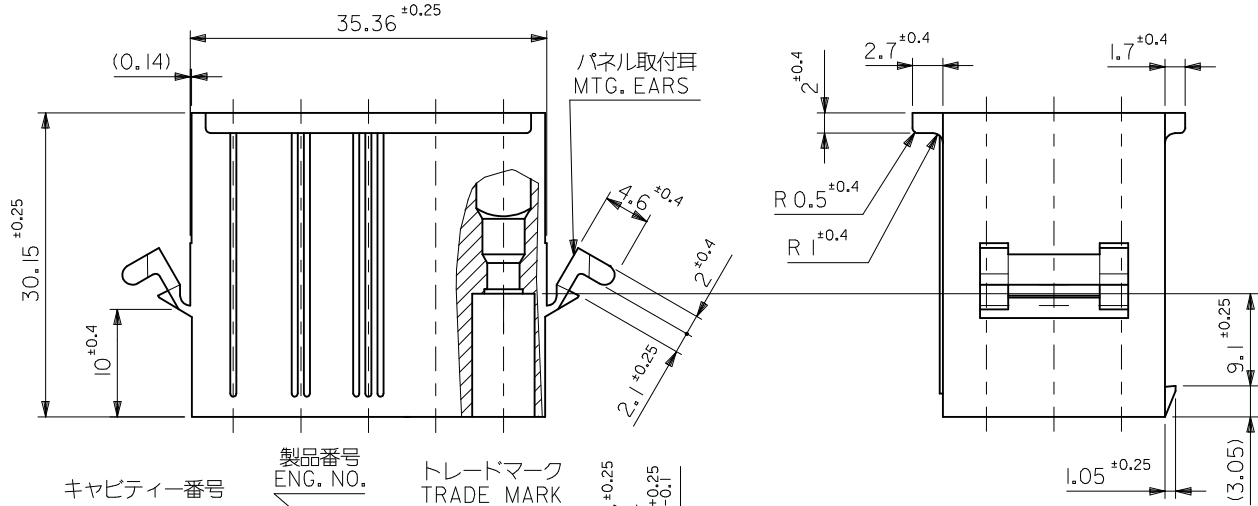


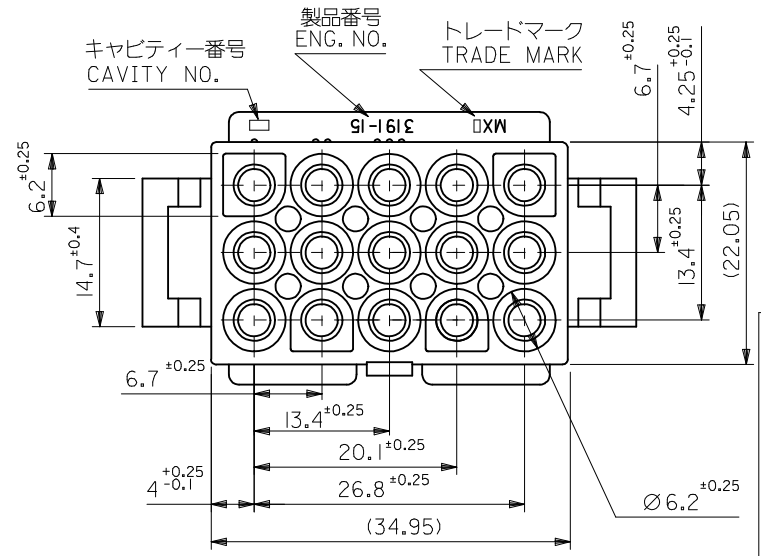
10 9 8 7 6 5 4 3 2 1



パネル取付穴推奨寸法 (厚さ2.0最大)  
ハウジングの装着はパネル穴打抜き方向より行うこと  
RECOMMENDED PANEL HOLE DIMENSION (THK. 2.0 MAX.)  
ATTACH THE HOUSING FROM THE DIRECTION OF  
PANEL HOLE PUNCHED OUT.



注記  
NOTE  
( ) 内寸法は参考値  
DIMENSIONS IN ( ) ARE REFERENCE



39-03-6151	3191-15P-201	NYLON66	94V-0
39-03-6150	3191-15P	NYLON66	94V-2
POLYBAG PACKAGE	モデル番号 MODEL No.	材質 MATERIAL	UL
オーダー番号 ORDER NO.			

REDRAWN EC NO: J2013-0829 DRWN:SSAT002 2013/01/28 CHKD:KASAKAWA 2013/01/31 APPR:YOITO 2013/04/16 REV: O	DESCRIPTION GENERAL TOLERANCES (UNLESS SPECIFIED) 10 UNDER ± --- 10 OVER 30 UNDER ± --- 30 OVER ± --- ANGULAR ± --- ° DRAFT WHERE APPLICABLE MUST REMAIN WITHIN DIMENSIONS	DIMENSION STYLE <b>MM ONLY</b>	SCALE <b>2:1</b>	DESIGN UNITS <b>METRIC</b>	THIRD ANGLE PROJECTION	
		DRAWN BY SSAT002	DATE 2013/01/28	TITLE <b>15 CKT. PLUG HSG (.093 DIA. TERMINAL)</b>		
		CHECKED BY KASAKAWA	DATE 2013/01/31			
		APPROVED BY YOITO	DATE 2013/04/16	MATERIAL NO. <b>SEE CHART</b>	DOCUMENT NO. <b>SD-3191-024</b>	SHEET NO. <b>1 OF 1</b>

9 8 7 6 5 4 3 2