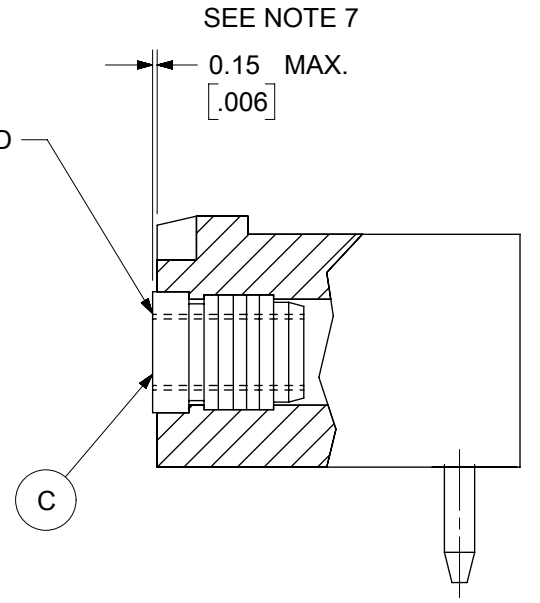
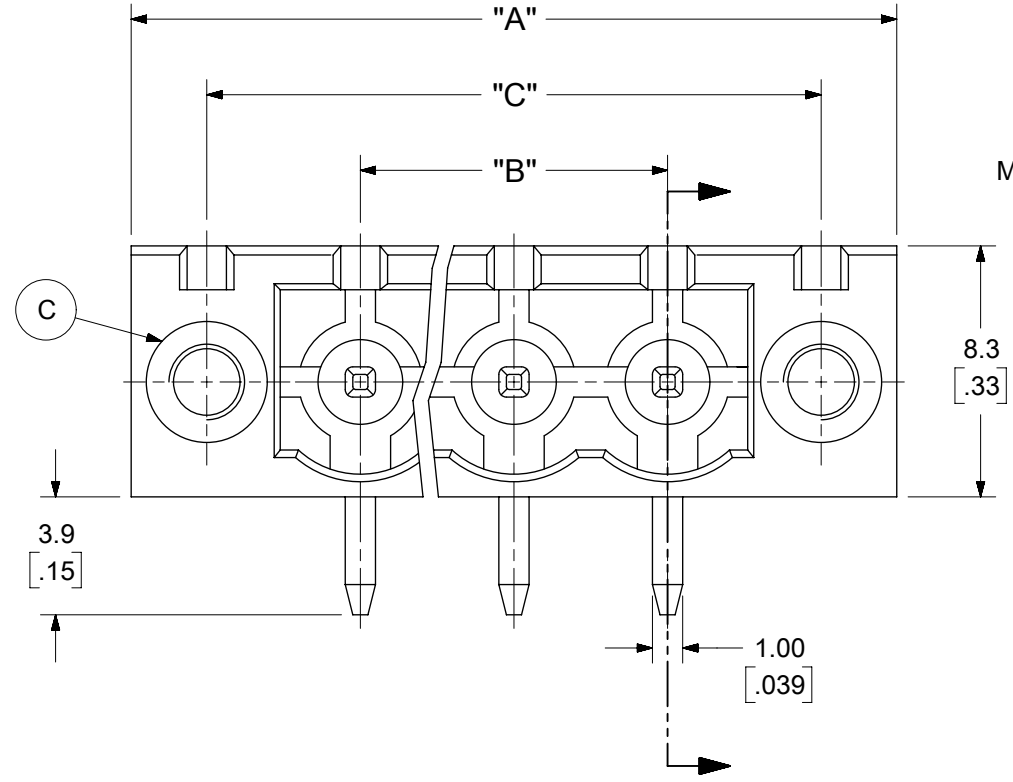
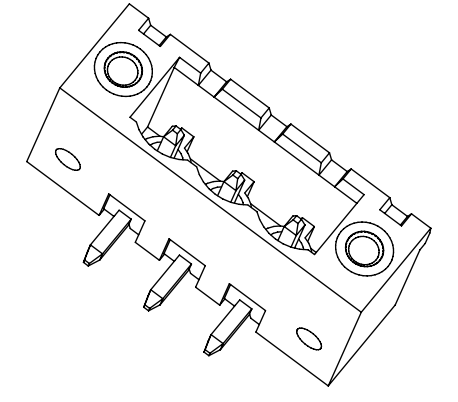
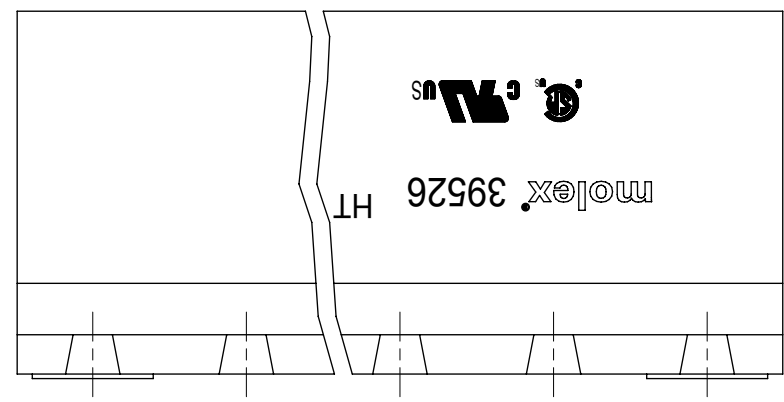
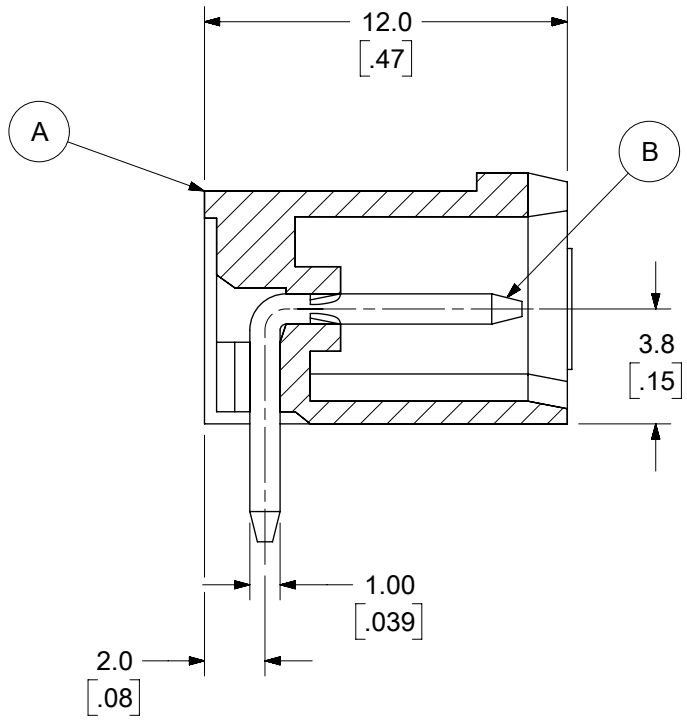


PTH LAYOUT



SPECIFICATIONS:

1. MATERIAL:
  - (A). BODY: PA46, UL 94V-0
  - (B). PIN: BRASS
  - (C). THREADED INSERT: BRASS
2. ELECTRICAL RATING: 300V, 15A
3. WIRE STRIP LENGTH: N/A
4. OPERATING TEMPERATURE: -40°C to +120°C
5. MAX. INSERT RETENTION FORCE: 11.02 LBF (49.03N)
6. INSULATION RESISTANCE: DC 500V, 500M
7. DIELECTRIC WITHSTAND: AC 2500V FOR 1 MINUTE
8. BREAKDOWN VOLTAGE : 4000V.
9. MAX. SOLDERING TEMP: 260°C (500°F) FOR 5 SECONDS
10.  $A = (B + 15.0\text{mm})$
11.  $B = (N - 1) \times P$
12.  $C = (B + 10\text{mm})$
13.  $P$  (PITCH) = 5.0MM (.197")
14.  $N$  = NUMBER OF POSITIONS AVAILABLE 2 THROUGH 24
15. DIMS SHOWN ARE FOR REFERENCE ONLY

TOLERANCES			
MM	TOL	INCH	TOL
0-6	±0.25	0-.24	±.010
>6-30	±0.40	.24-1.18	±.016
>30-120	±0.50	1.18-4.76	±.020
>120	±0.80	>4.76	±.031

THIS DRAWING CONTAINS INFORMATION THAT IS PROPRIETARY TO MOLEX ELECTRONIC TECHNOLOGIES, LLC AND SHOULD NOT BE USED WITHOUT WRITTEN PERMISSION

SYMBOLS

▽ = 0	DIMENSION UNITS	SCALE	CURRENT REV DESC: DIMS REDRAWN BY NX		
▽ = 0	MM/INCH	4:1	EC NO: 620717		
▽ = 0	GENERAL TOLERANCES (UNLESS SPECIFIED)		DRWN: ABENJAMINLW 2019/07/11		
▽ = 0	4 PLACES ± --- ± ---	SEE CHART	CHK'D: DACHAMMER 2019/07/16		
▽ = 0	3 PLACES ± --- ± ---	SEE CHART	APPR: JFMURPHY 2019/08/02		
▽ = 0	2 PLACES ± --- ± ---	SEE CHART	INITIAL REVISION:		
▽ = 0	1 PLACE ± --- ± ---	SEE CHART	DRWN: LROTHAUS 2006/01/09		
▽ = 0	0 PLACES ± --- ± ---	SEE CHART	APPR: JPAWLICK 2006/01/10		
▽ = 0	ANGULAR TOL ± ---		DOCUMENT NUMBER	DOC TYPE	DOC PART
▽ = 0	DRAFT WHERE APPLICABLE MUST REMAIN WITHIN DIMENSIONS		SD-39526-001	PSD	001
▽ = 0	THIRD ANGLE PROJECTION	DRAWING	MATERIAL NUMBER	CUSTOMER	SHEET NUMBER
▽ = 0	B-SIZE	SERIES	SEE SHEET-2	GENERAL MARKET	1 OF 2

**molex**


5.0MM, EURO HEADER,  
RIGHT ANGLE, HI-TEMP MOUNTING

PRODUCT CUSTOMER DRAWING

DOCUMENT NUMBER: SD-39526-001 | DOC TYPE: PSD | DOC PART: 001 | REVISION: D3

DESCRIPTION	CIRCUIT SIZE	MATERIAL NUMBERS						DIMENSIONAL INFORMATION					
		BLACK											
		100% TIN			30 u" GOLD			DIM. "A"		DIM. "B"		DIM. "C"	
		PRINTING OPTIONS			PRINTING OPTIONS			mm	inch	mm	inch	mm	inch
		None	10A	11A	None	10A	11A						
5.0MM, EURO HEADER, RIGHT ANGLE, MOUNTING ENDS, HIGH TEMP	2	395264002	395264102	395264202	395264502	395264602	395264702	20.00	.787	5.00	.197	15.00	.591
5.0MM, EURO HEADER, RIGHT ANGLE, MOUNTING ENDS, HIGH TEMP	3	395264003	395264103	395264203	395264503	395264603	395264703	25.00	.984	10.00	.394	20.00	.787
5.0MM, EURO HEADER, RIGHT ANGLE, MOUNTING ENDS, HIGH TEMP	4	395264004	395264104	395264204	395264504	395264604	395264704	30.00	1.181	15.00	.591	25.00	.984

TOLERANCES			
MM	TOL	INCH	TOL
0-6	±0.25	0-.24	±.010
>6-30	±0.40	.24-1.18	±.016
>30-120	±0.50	1.18-4.76	±.020
>120	±0.80	>4.76	±.031

<b>SYMBOLS</b> ▽ = 0 ▽ = 0 ▽ = 0 ▽ = 0 ▽ = 0 ▽ = 0 ▽ = 0 ▽ = 0 ▽ = 0 ▽ = 0	THIS DRAWING CONTAINS INFORMATION THAT IS PROPRIETARY TO MOLEX ELECTRONIC TECHNOLOGIES, LLC AND SHOULD NOT BE USED WITHOUT WRITTEN PERMISSION		CURRENT REV DESC: DIMS REDRAWN BY NX		 5.0MM, EURO HEADER, RIGHT ANGLE, HI-TEMP MOUNTING PRODUCT CUSTOMER DRAWING				
	DIMENSION UNITS	SCALE	EC NO: 620717						
	MM/INCH	4:1	DRWN: ABENJAMINLW 2019/07/11						
	GENERAL TOLERANCES (UNLESS SPECIFIED)		CHK'D: DACHAMMER 2019/07/16						
	4 PLACES ± --- ± ---	3 PLACES ± --- ± SEE CHART	APPR: JFMURPHY 2019/08/02						
	2 PLACES ± SEE CHART ± SEE CHART	1 PLACE ± SEE CHART ± ---	INITIAL REVISION:						
	0 PLACES ± --- ± ---	ANGULAR TOL ± ---	DRWN: LROTHAUS 2006/01/09						
	DRAFT WHERE APPLICABLE MUST REMAIN WITHIN DIMENSIONS		APPR: JPAWLICK 2006/01/10						
	THIRD ANGLE PROJECTION		DRAWING	SERIES		DOCUMENT NUMBER	DOC TYPE	DOC PART	REVISION
	B-SIZE		39526	SEE TABLE		SD-39526-001	PSD	001	D3
MATERIAL NUMBER		CUSTOMER		SHEET NUMBER					
SEE TABLE		GENERAL MARKET		2 OF 2					