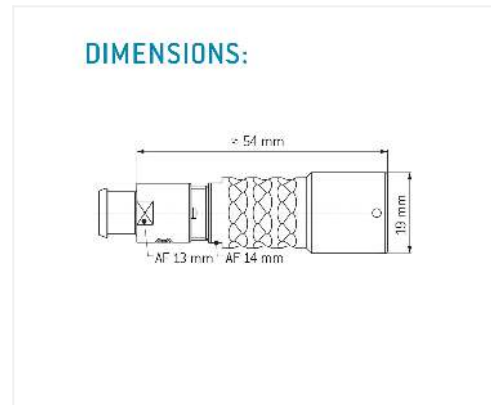
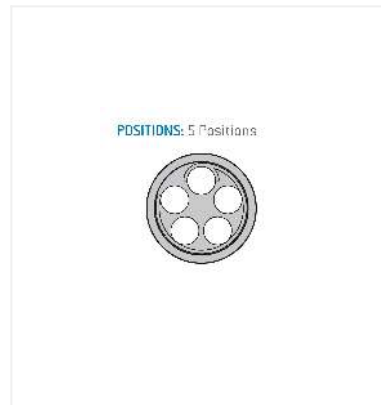


General information

Part number	K22K0C-P05NPH0-600S
Termination	crimp
Size	2
Locking principle	break , push
Coding	0_key
Cable Diameter	cable_mini_60
Cable outlet	bend_relief



Contact insert description

Number of contacts	5
Contact type	sockets
Contact diameter	13mm
Insulator material	peek
Wire cross section	20-24_awg
Termination	crimp

reverse_gender_on_request

Technical information

Max. creepage and air clearance distance	16_mm	13_mm
Nominal current single contact	12_a	iec_60512_5_2
Nominal current insert	9 A	vde_0298_4
Test voltage	18_kv_ac	sae_13441

safety_text

Mechanical and environmental data

Degree of protection*	ip68
Operating temperature	40_120_c
Mating cycles	5000

mated

Material and surface treatments

Housing	m_chrome
Contact	cu_alloy_gold

safety_text_2
ul_text
illustrative_text