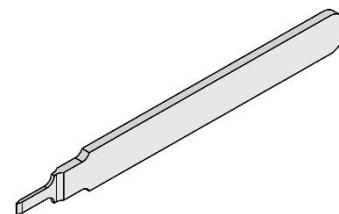


**Order Number**  
**200222-1200**

**molex**<sup>®</sup>

## Application Tooling Specification



### FEATURES

- Releases terminal retainer and extracts male terminals for Mega-Fit plug housings.

### SCOPE

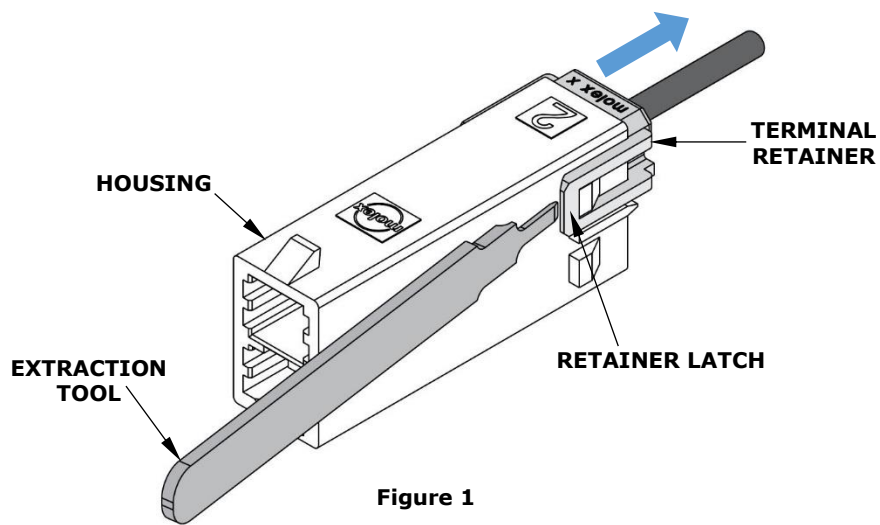
**Products:** Mega-Fit Plug Crimp Terminals, 10AWG, 12 AWG and 14-16 AWG Wire.

Terminal Series No.	Housing Series No.	Terminal Order No.		
105417	105411	105417-0332	105417-0333	105417-0334
105418	213814	105418-0312	105418-0313	105418-0314
	213815	105418-1312	105418-1313	105418-1314

### OPERATION

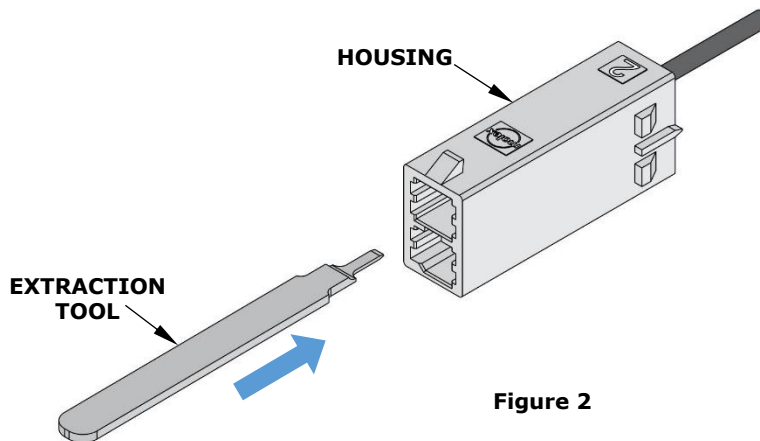
#### 105417 and 105418 Terminal Series

- The terminal retainer must be removed before extracting terminals. Use the tip of the extraction tool to pry the retainer latch away from one side of the connector housing.
- With the latch disengaged from the housing, push the retainer away from the housing.
- Repeat steps 1 and 2 for the retainer latch on the other side of the connector housing. Then, remove the retainer completely. See Figure 1.

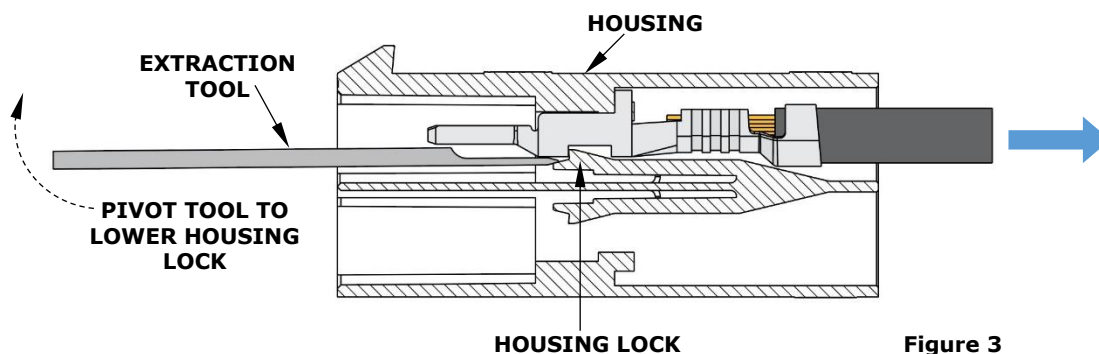


## Extraction Tool for Mega-Fit Crimp Terminals

4. Push the wire and the terminal forward in the direction of the arrow before using the extraction tool.
5. Insert the extraction tool into the mating side of the connector housing in the orientation shown in Figure 2.



6. While depressing the housing lock, pull the crimped wire out in the direction of the arrow. See Figure 3.



**CAUTION:** This extraction tool should be used to extract the terminal only. Using it for unintended purposes may cause injury or damage to parts. Be careful not to deform the end of the terminal.

**CAUTION:** Molex specifications are valid only when used with Molex terminals, applicators and tooling.

Molex does not offer repair parts for extraction tools because of the inexpensive nature of these tools.

### Application Tooling Support

**Phone:** (402) 458-TOOL (8665)

**E-Mail:** [applicationtooling@molex.com](mailto:applicationtooling@molex.com)

**Website:** [www.molex.com/applicationtooling](http://www.molex.com/applicationtooling)

Molex is a registered trademark of Molex, LLC in the United States of America and may be registered in other countries; all other trademarks listed herein belong to their respective owners.