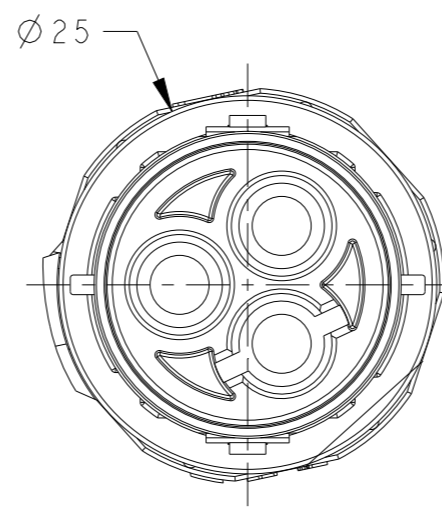
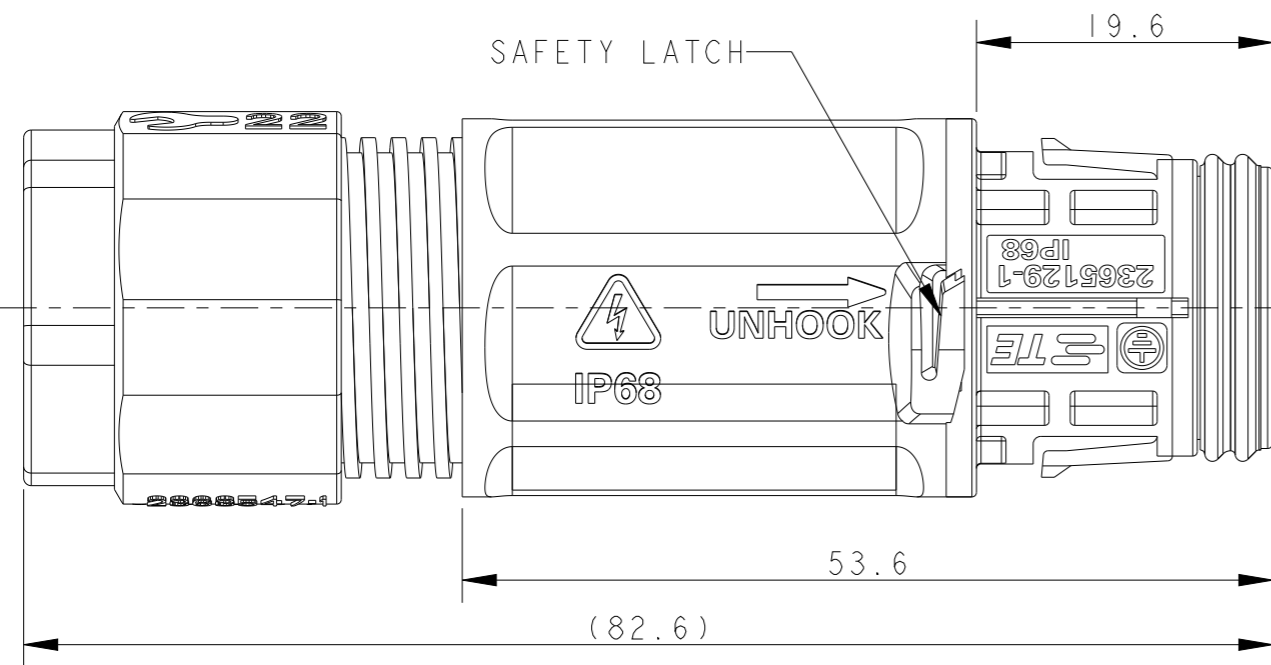


P	LTR	DESCRIPTION	DATE	DWN	APVD
3		DRAFTING UPDATES	29OCT2020	SM	MZ
A		PRODUCT UNDER TESTING	24NOV2020	SM	MZ
A1		18AWG WIRE SIZE ADDED	27JAN2022	DM	SM
A2		RELEASED	18MAR2022	SM	MZ



NOTES:

CONTACTS SUPPLIED SEPARATELY ON REELS, MUST PURCHASED ACCORDING TO WIRE SIZES. BELOW ARE THE CONTACT PART NUMBERS:

CONTACT P/N	WIRE SIZE
2359528-1	1.5mm ² TO 2.5mm ² 16AWG TO 14AWG
2359528-2	4.0mm ² 12AWG
2359528-3	18AWG

2. MATERIALS:

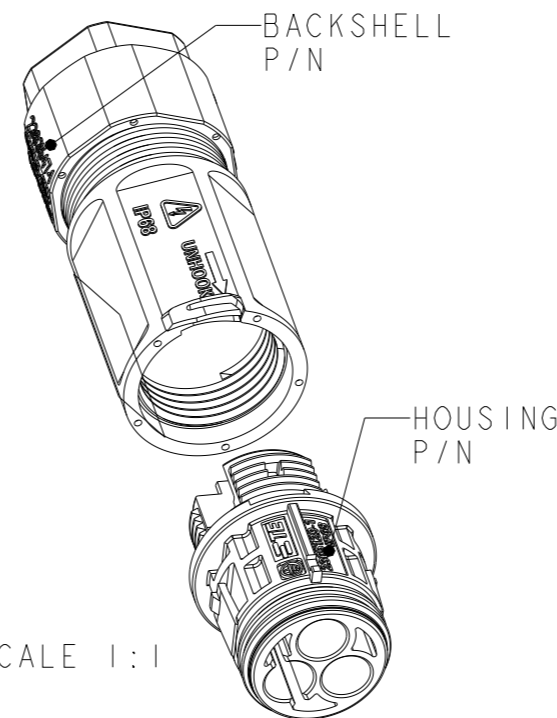
PLASTICS: PBT+PC ALLOY, UL-V0, UV-FI
CONTACTS: COPPER ALLOY, TIN PLATED
SCREWS : STAINLESS STEEL

3. OPERATING RATINGS :

VOLTAGE (max): 600Vac Max
CURRENT (max): 25A ON 4.0mm² & 20A ON 12AWG
TEMPERATURE : -40°C TO 85°C
IP RATING : IP67 & IP68

4. FOR ASSEMBLY INSTRUCTIONS, REFER APPLICATION SPECIFICATION 114-133123

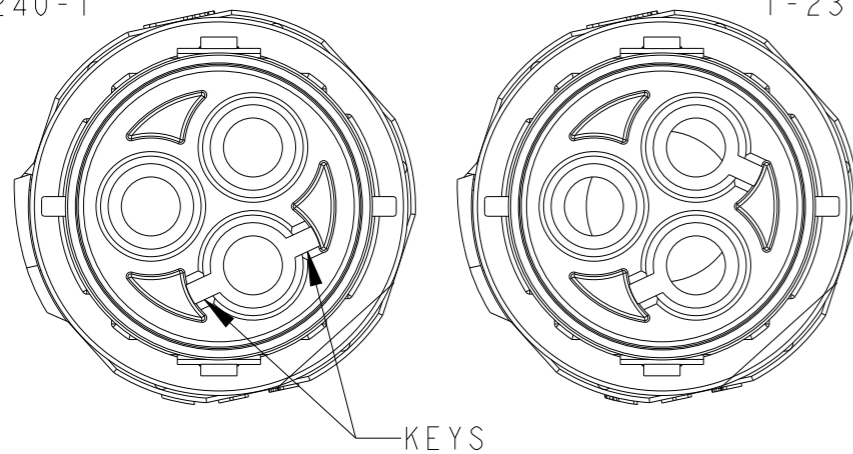
5. PACKAGING: PPQ 200 pcs IN TRAY



SCALE 1:1

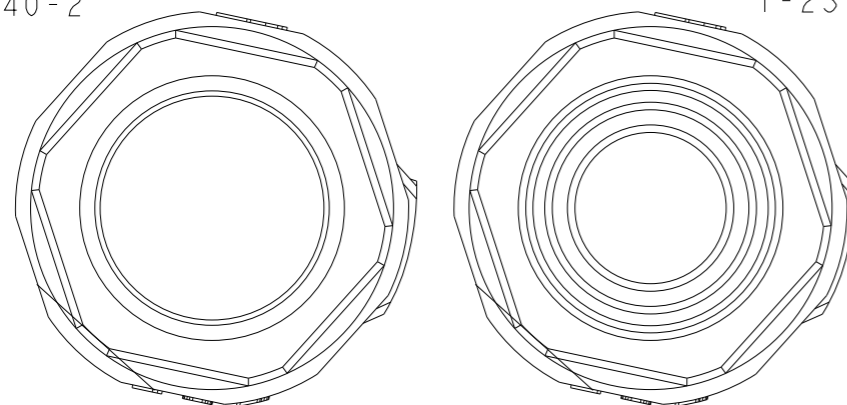
POLARIZING KEY A
2379240-1
1-2379240-1

POLARIZING KEY B
2379240-2
1-2379240-2



BACKSHELL FOR
2379240-1
2379240-2

BACKSHELL FOR
1-2379240-1
1-2379240-2



2363547-2	2365129-2	KEY B	Ø7 - Ø10	IN-LINE PIN CONNECTOR	1-2379240-2
	2365129-1	KEY A			1-2379240-1
2363547-1	2365129-2	KEY B	Ø10.5 - Ø15		2379240-2
	2365129-1	KEY A			2379240-1
BACKSHELL P/N	HOUSING ASSY P/N	POLARIZING KEY	CABLE RANGE	DESCRIPTION	PART NUMBER

THIS DRAWING IS A CONTROLLED DOCUMENT.

DIMENSIONS:	TOLERANCES UNLESS OTHERWISE SPECIFIED:
mm	
	0 PLC ±0.2
	1 PLC ±0.2
	2 PLC ±0.1
	3 PLC ±
	4 PLC ±
	ANGLES ±°
MATERIAL	FINISH
-	-
-	-

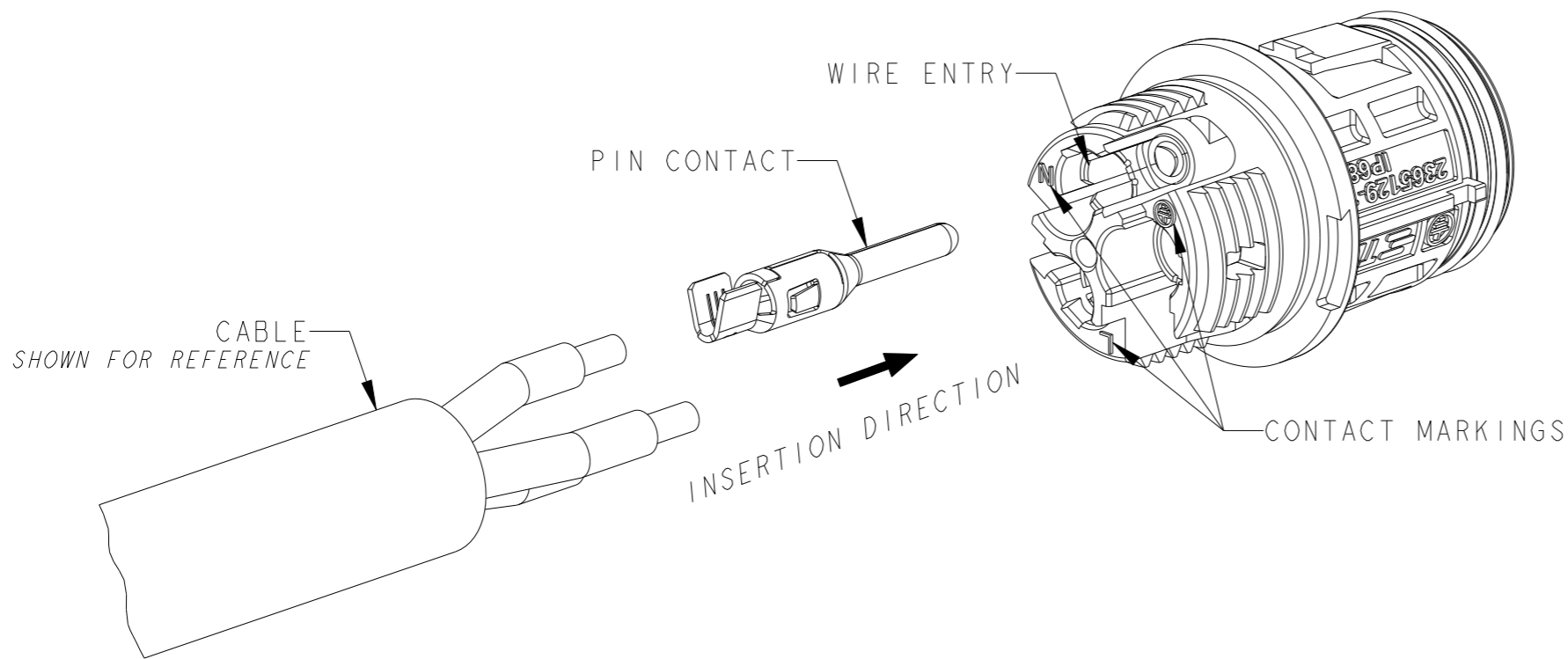
DWN	28AUG2020
SUBHASH. M	
CHK	28AUG2020
M. ZUCCA	
APVD	24NOV2020
PETER OTT	
PRODUCT SPEC	108-133123
APPLICATION SPEC	114-133123
WEIGHT	-
CUSTOMER DRAWING	

		TE Connectivity	
NAME NECTOR T, 3Pos, PIN CONNECTOR CRIMP TYPE			
SIZE	CAGE CODE	DRAWING NO	RESTRICTED TO
A3	00779	C-2379240	-
SCALE 2:1		SHEET 1 OF 2	REV A2

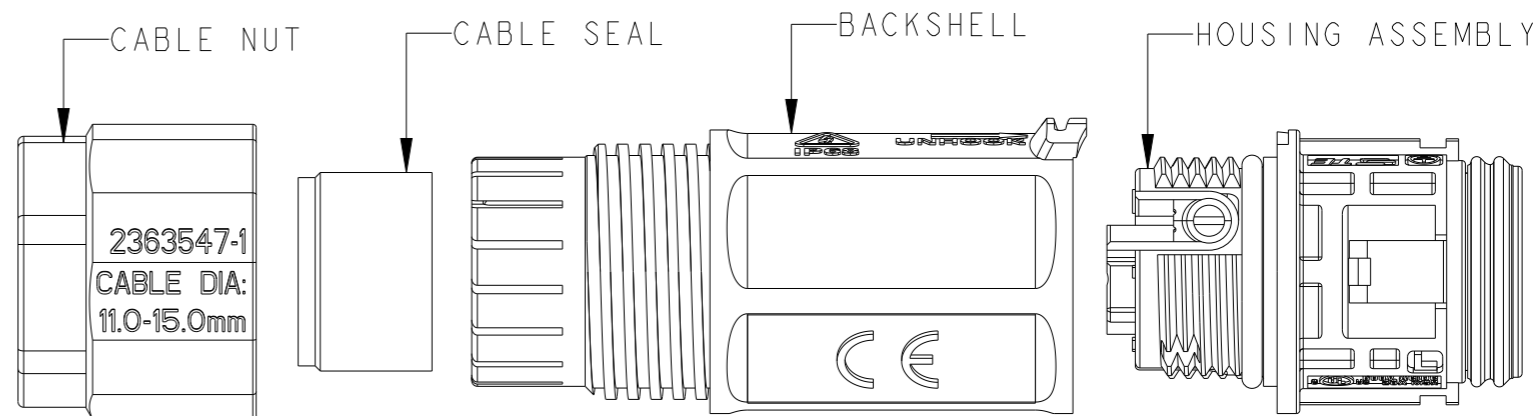
REVISIONS

P	LTR	DESCRIPTION	DATE	DWN	APVD
-	-	SEE SHEET 1	-	-	-

CRIMP TERMINATION
 REFER 114-133123 FOR DETAILED INSTRUCTION
 NOT TO SCALE



EXPLODED COMPONENTS
 NOT TO SCALE



THIS DRAWING IS A CONTROLLED DOCUMENT.		DWN SUBHASH. M 28AUG2020	TE Connectivity													
DIMENSIONS: mm		CHK M. ZUCCA 28AUG2020														
TOLERANCES UNLESS OTHERWISE SPECIFIED:		APVD PETER.OTT 24NOV2020	NAME NECTOR T, 3Pos, PIN CONNECTOR CRIMP TYPE													
<table border="1"> <tr><td>0 PLC</td><td>±0.2</td></tr> <tr><td>1 PLC</td><td>±0.2</td></tr> <tr><td>2 PLC</td><td>±0.1</td></tr> <tr><td>3 PLC</td><td>±</td></tr> <tr><td>4 PLC</td><td>±</td></tr> <tr><td>ANGLES</td><td>±1°</td></tr> </table>		0 PLC	±0.2	1 PLC	±0.2	2 PLC	±0.1	3 PLC	±	4 PLC	±	ANGLES	±1°	PRODUCT SPEC 108-133123	SIZE A3	
0 PLC	±0.2															
1 PLC	±0.2															
2 PLC	±0.1															
3 PLC	±															
4 PLC	±															
ANGLES	±1°															
MATERIAL -		APPLICATION SPEC 114-133123	CAGE CODE 00779	DRAWING NO C-2379240												
FINISH -		WEIGHT -	RESTRICTED TO -													
-		CUSTOMER DRAWING	SCALE 2:1	SHEET 2 OF 2												
-			REV A2													