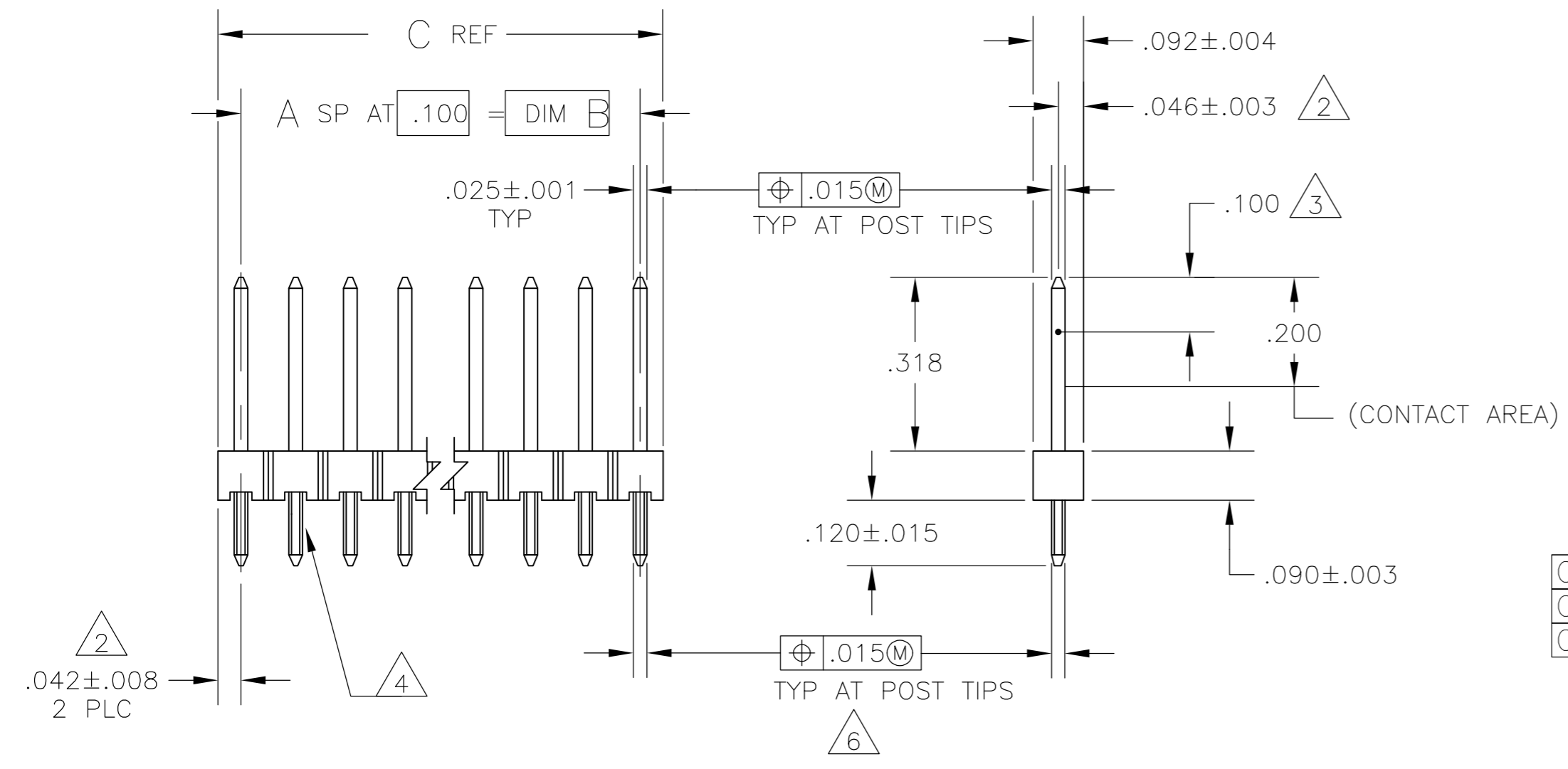


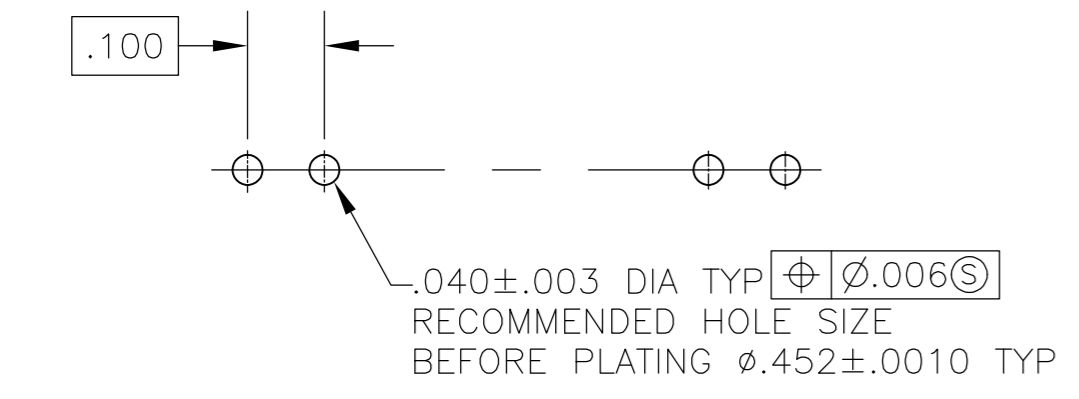
THIS DRAWING IS UNPUBLISHED. RELEASED FOR PUBLICATION  
 © COPYRIGHT - By - ALL RIGHTS RESERVED.

LOC		DIST		REVISIONS			
AD	00	P	LTR	DESCRIPTION	DATE	DWN	APVD
		M		REVISED PER ECO-14-000066	27JUN2014	NK	MM



- 1 TRUE POSITION TOLERANCE OF THE POST TIPS APPLIES WHEN THE HEADERS ARE HELD FLAT AGAINST THE PRINTED CIRCUIT BOARD.
- 2 THE NOTED DIMENSIONS APPLY AT THE INTERSECTION OF THE POST AND THE HOUSING.
- 3 POINT OF MEASUREMENT FOR PLATING THICKNESS.
- 4 RETENTION FEATURES ON SOLDER TAILS, LOCATED AT MANUFACTURERS OPTION.
- 5 PARTS INDICATED ARE PACKED IN SINGLE TUBES.
- 6  $\phi .020 (M)$  FOR KINKED TAILS
- 7 OBSOLETE PARTS: OBSOLETE CIS STREAMLINING PER D.RENAUD/D.SINISI.

OBSOLETE-SUPERSEDED BY 104427-7	$\triangle 5$	.884	.800	8	9	3-104427-0
OBSOLETE-SUPERSEDED BY 104427-6	$\triangle 5$	.784	.700	7	8	2-104427-9
OBSOLETE-SUPERSEDED BY 104427-5	$\triangle 5$	.684	.600	6	7	2-104427-8
$\triangle 7$ OBSOLETE		3.984	3.900	39	40	2-104427-7
		3.484	3.400	34	35	2-104427-6
		2.984	2.900	29	30	2-104427-5
		2.584	2.500	25	26	2-104427-4
		2.484	2.400	24	25	2-104427-3
		2.384	2.300	23	24	2-104427-2
		2.284	2.200	22	23	2-104427-1
		2.184	2.100	21	22	2-104427-0
		2.084	2.000	20	21	1-104427-9
		1.984	1.900	19	20	1-104427-8
$\triangle 7$ OBSOLETE		1.884	1.800	18	19	1-104427-7
		1.784	1.700	17	18	1-104427-6
		1.684	1.600	16	17	1-104427-5
		1.584	1.500	15	16	1-104427-4
		1.484	1.400	14	15	1-104427-3
		1.384	1.300	13	14	1-104427-2
		1.284	1.200	12	13	1-104427-1
		1.184	1.100	11	12	1-104427-0
		1.084	1.000	10	11	1-104427-9
		.984	.900	9	10	1-104427-8
$\triangle 7$ OBSOLETE		.884	.800	8	9	104427-7
		.784	.700	7	8	104427-6
		.684	.600	6	7	104427-5
		.584	.500	5	6	104427-4
		.484	.400	4	5	104427-3
		.384	.300	3	4	104427-2
		.284	.200	2	3	104427-1



RECOMMENDED HOLE LAYOUT

$\triangle 7$  SUPERCEDED BY 5-146288-6  
 $\triangle 7$  SUPERCEDED BY 5-146288-5

THIS DRAWING IS A CONTROLLED DOCUMENT.		DWN H MOLL 28JUN88	<b>STE</b> TE Connectivity	
DIMENSIONS: INCHES		CHK R. FEIDT 28JUN88		
TOLERANCES UNLESS OTHERWISE SPECIFIED:		APVD R. FEIDT 28JUN88	NAME	
0 PLC ± -		PRODUCT SPEC	HEADER ASSY, MOD II, BREAKAWAY, SINGLE ROW, .100 CL, VERT, .025 SQ POSTS, WITH RETENTION FEATURE	
1 PLC ± -		APPLICATION SPEC	SIZE A2	CAGE CODE -
2 PLC ± -		WEIGHT -	DRAWING NO C=104427	RESTRICTED TO -
3 PLC ± .005		CUSTOMER DRAWING	SCALE 4:1	SHEET 1 of 1
4 PLC ± -			REV M	
ANGLES ± -				
MATERIAL: HOUSING: FLAME RETARDANT THERMOPLASTIC COLOR-BLACK		FINISH: POSTS: .00015 GOLD IN CONTACT AREA, .00100-.00200 MATTE TIN-LEAD ON SOLDER TAIL, ALL OVER .00050 NICKEL		