

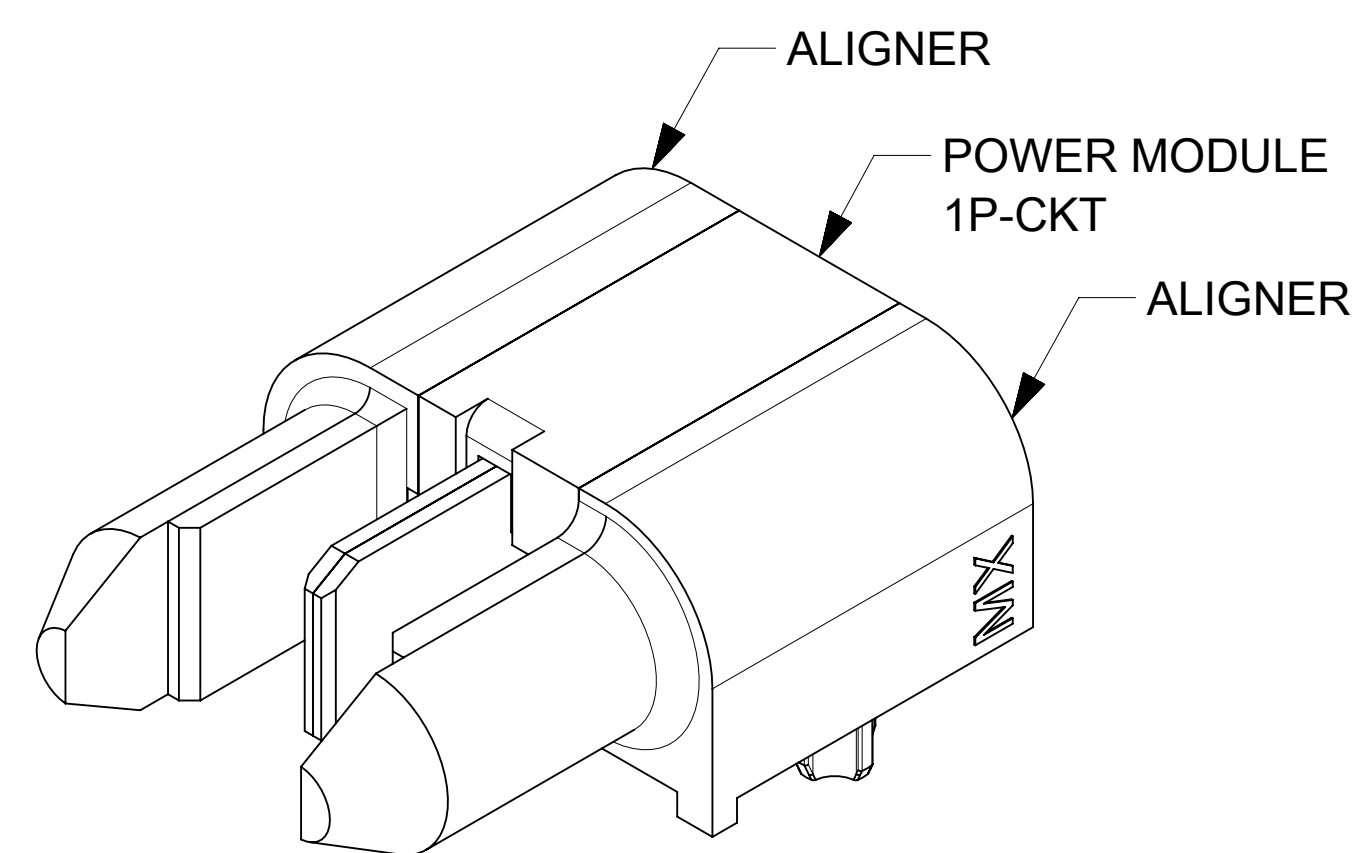
- NOTES:
- MATERIAL:
 - HOUSINGS: LCP UL94, V-0, COLOR : BLACK
 - TERMINALS: HIGH CONDUCTIVITY COPPER ALLOY
 - PLATING: 1.27 MICROMETER (50 MICROINCH) NICKEL OVERALL WITH 2.54 MICROMETER (100 MICROINCH) SELECTIVE TIN ON TAILS AND 0.762 MICROMETER (30 MICROINCH) SELECTIVE GOLD ON CONTACT AREA
 - PACKAGING: ASSEMBLIES TO BE TRAY PACKED PER PACKAGING SPEC: 464371001-PK
 - PLATED THRU HOLE SIZE, REFER TO PS-46436-100 FOR DETAILS
 - PRODUCT SPEC: PS-46436-100
 - PRODUCT TO MEET RoHS REQUIREMENTS
 - ASSEMBLY MATES TO MOLEX RECEPTACLE ASSEMBLY P/N 46562-**** AND 46436-**** (SEE TABLE IN SHEET 2)
 - TAIL DESIGN: COMPLIANT PINS
 - POWER CONTACTS ARE LUBRICATED.
 - APPLICATION SPEC: AS-46436-100.
 - MOLEX LOGO TO BE LOCATED APPROXIMATELY AS SHOWN.

THIS DRAWING CONTAINS INFORMATION THAT IS PROPRIETARY TO MOLEX ELECTRONIC TECHNOLOGIES, LLC AND SHOULD NOT BE USED WITHOUT WRITTEN PERMISSION									
DIMENSION UNITS	SCALE	CURRENT REV DESC: ADDED ISOMETRIC VIEWS							
mm	4:1								
GENERAL TOLERANCES (UNLESS SPECIFIED)									
ANGULAR TOL	± 0.5°								
4 PLACES	±	EC NO: 689821							
3 PLACES	±	DRWN: HARSHG		2021/12/13					
2 PLACES	± 0.13	CHK'D: GJEEVANSURES		2021/12/22					
1 PLACE	± 0.25	APPR: HTHYAGARAJ		2022/02/14					
0 PLACES	±	INITIAL REVISION:							
DRAFT WHERE APPLICABLE MUST REMAIN WITHIN DIMENSIONS		DRWING		SERIES					
		D-SIZE		46437					
		MATERIAL NUMBER		CUSTOMER					
		SEE TABLE		GENERAL MARKET					
		DOCUMENT NUMBER		DOC TYPE		DOC PART		REVISION	
		464379310		PSD		000		A1	
		SHEET NUMBER		SHEET NUMBER					
		1 OF 3							

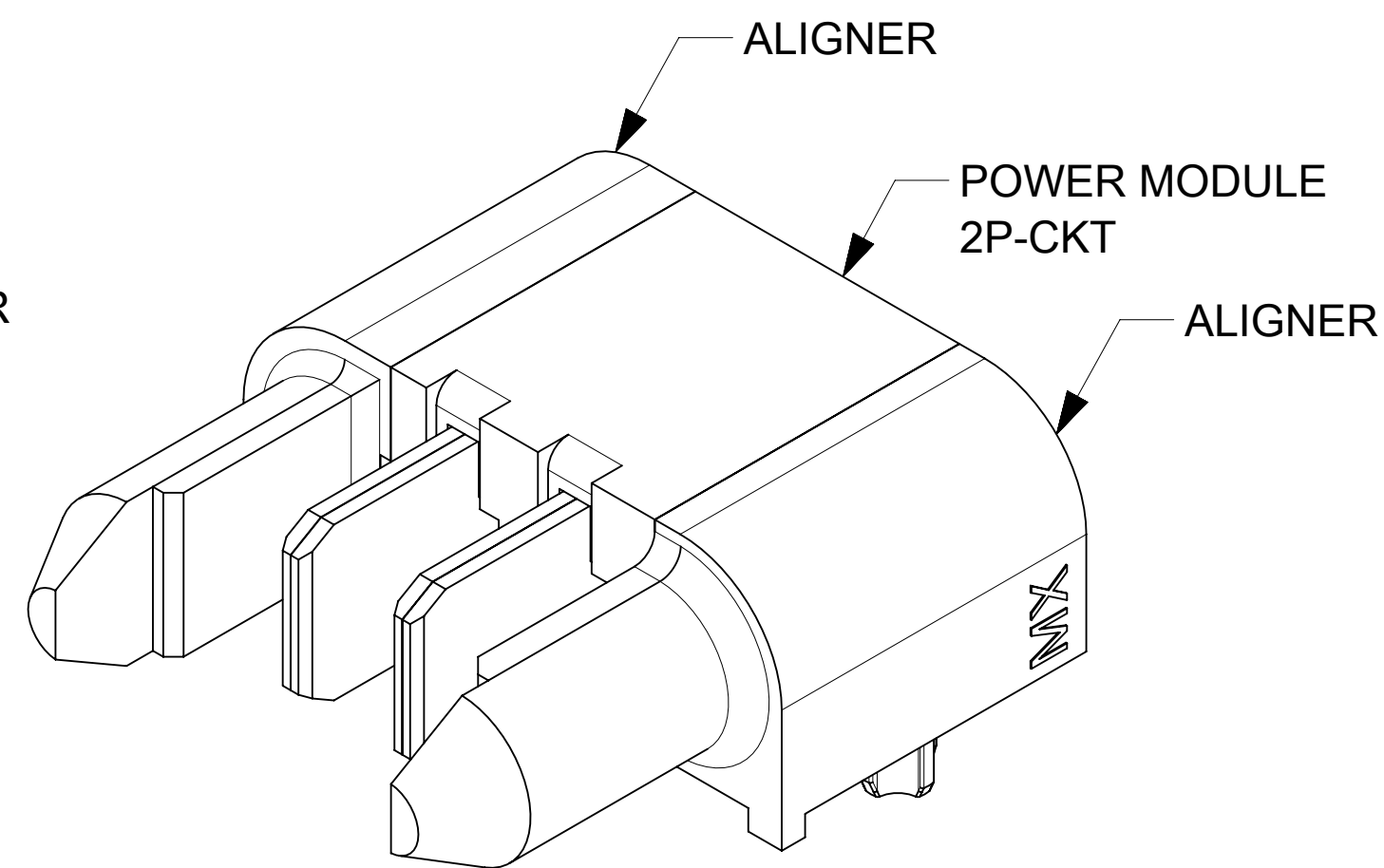
RECOMMENDED PCB LAYOUT AND KEEP-OUT ZONE FOR G-(1P TO 10P)-G

REFER TO BELOW TABLE FOR DIMENSIONS.

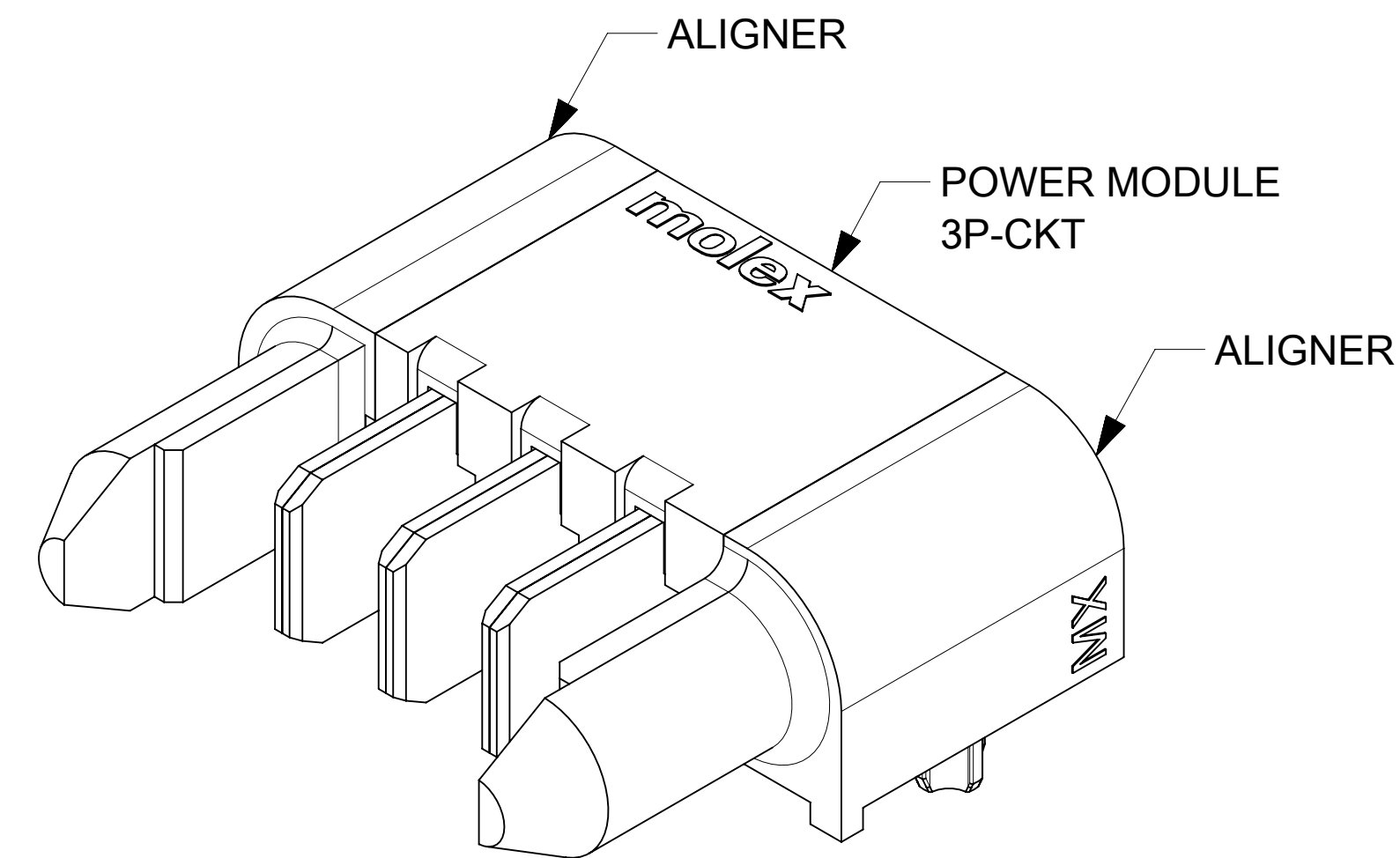
FG P/N	CONFIGURATION	POWER CKT SIZE	DIM "A" (IN MM)	DIM "B" (IN MM)	DIM "X" (IN MM)	HOLES COUNT "H1"	MATES WITH R/A ASSY P/N	MATES WITH VERT ASSY P/N
464379301	G-1P-G	1	21.00	22.00	8.50	10	464369301	465629301
464379302	G-2P-G	2	26.50	27.50	14.00	20	464369302	465629302
464379303	G-3P-G	3	32.00	33.00	19.50	30	464369303	465629303
464379304	G-4P-G	4	37.50	38.50	25.00	40	464369304	465629304
464379305	G-5P-G	5	43.00	44.00	30.50	50	464369305	465629305
464379306	G-6P-G	6	48.50	49.50	36.00	60	464369306	465629306
464379307	G-7P-G	7	54.00	55.00	41.50	70	464369307	465629307
464379308	G-8P-G	8	59.50	60.50	47.00	80	464369308	465629308
464379309	G-9P-G	9	65.00	66.00	52.50	90	464369309	465629309
464379310	G-10P-G	10	70.50	71.50	58.00	100	464369310	465629310



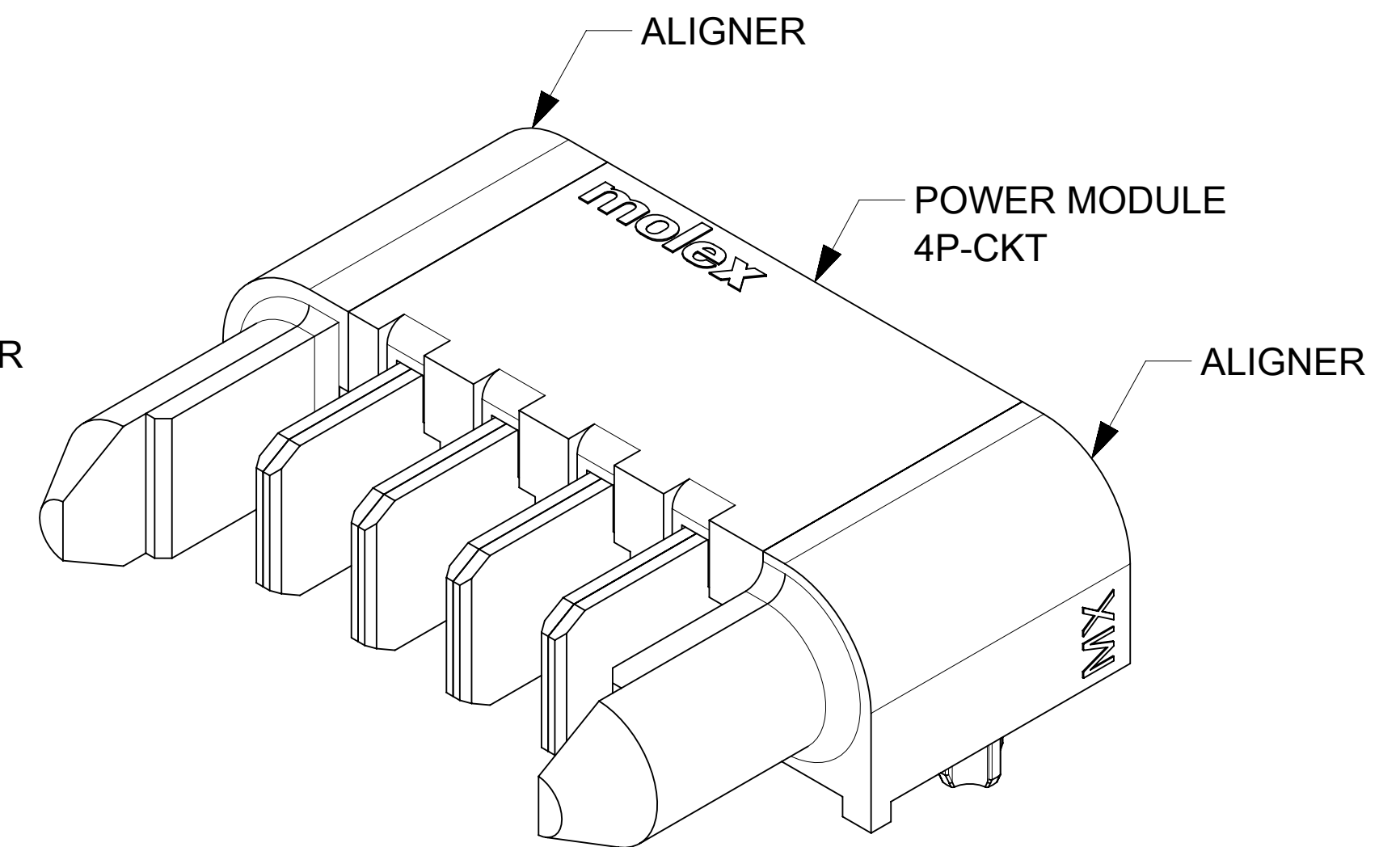
P/N : 46437-9301 (G-1P-G)



P/N : 46437-9302 (G-2P-G)

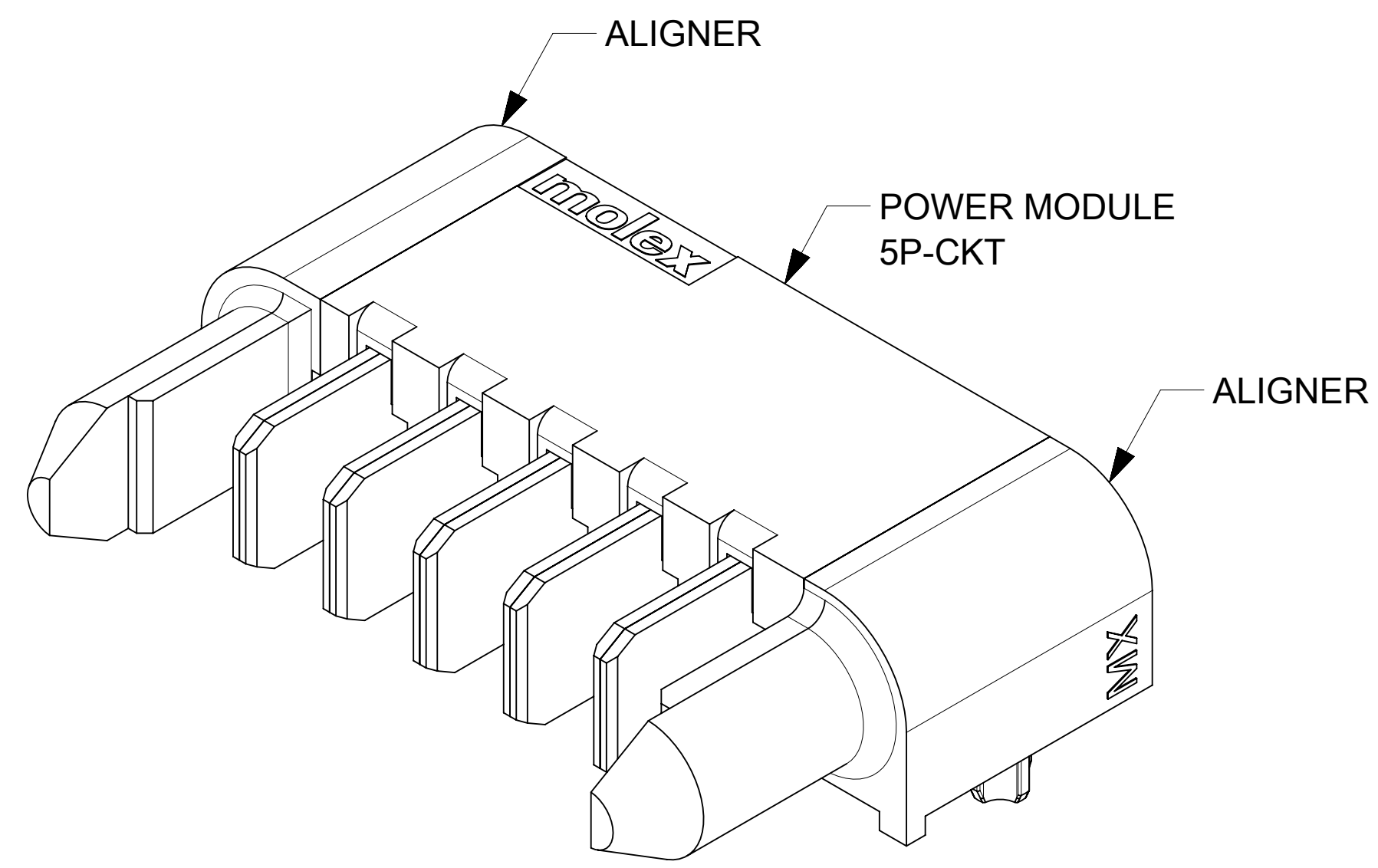


P/N : 46437-9303 (G-3P-G)

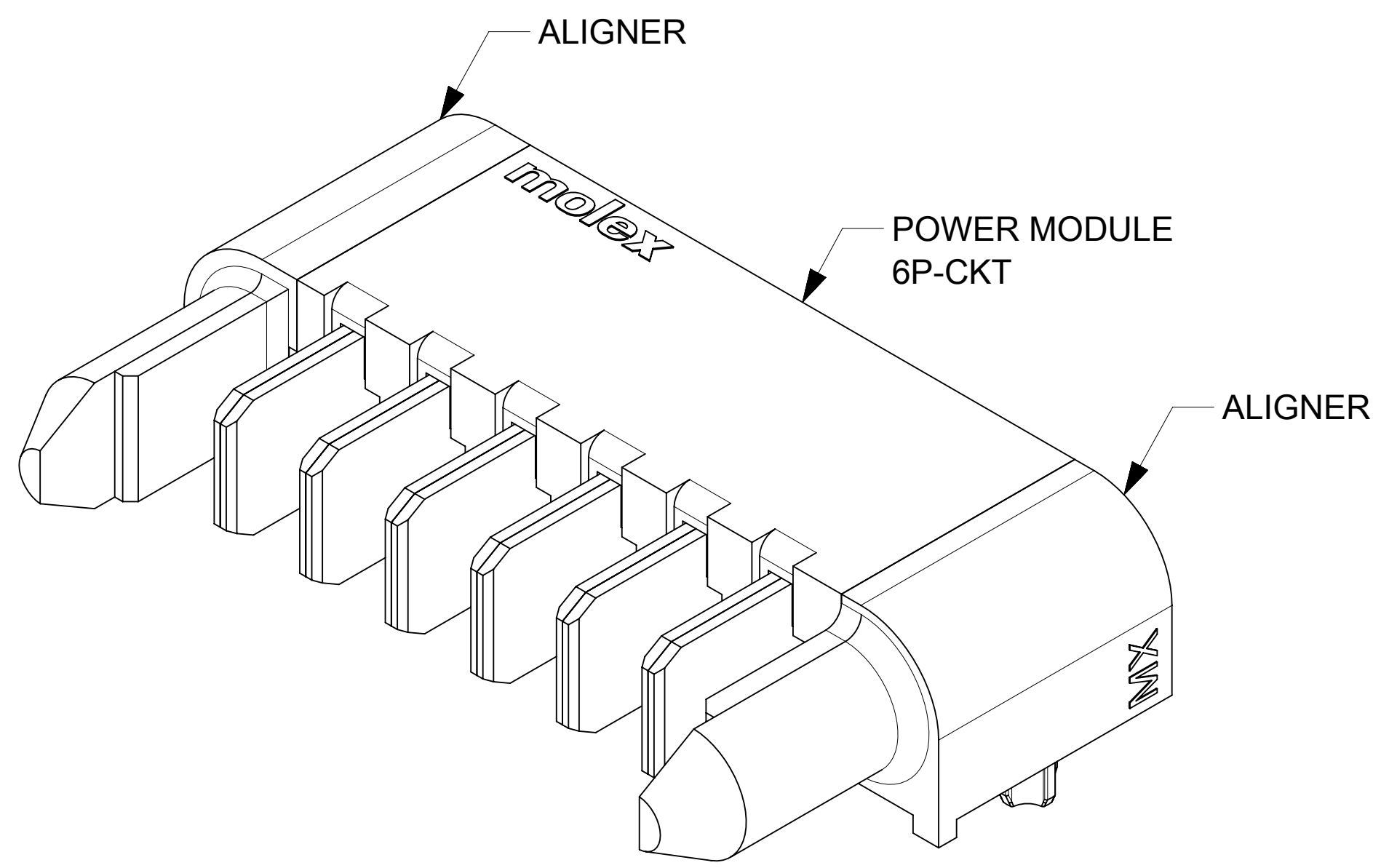


P/N : 46437-9304 (G-4P-G)

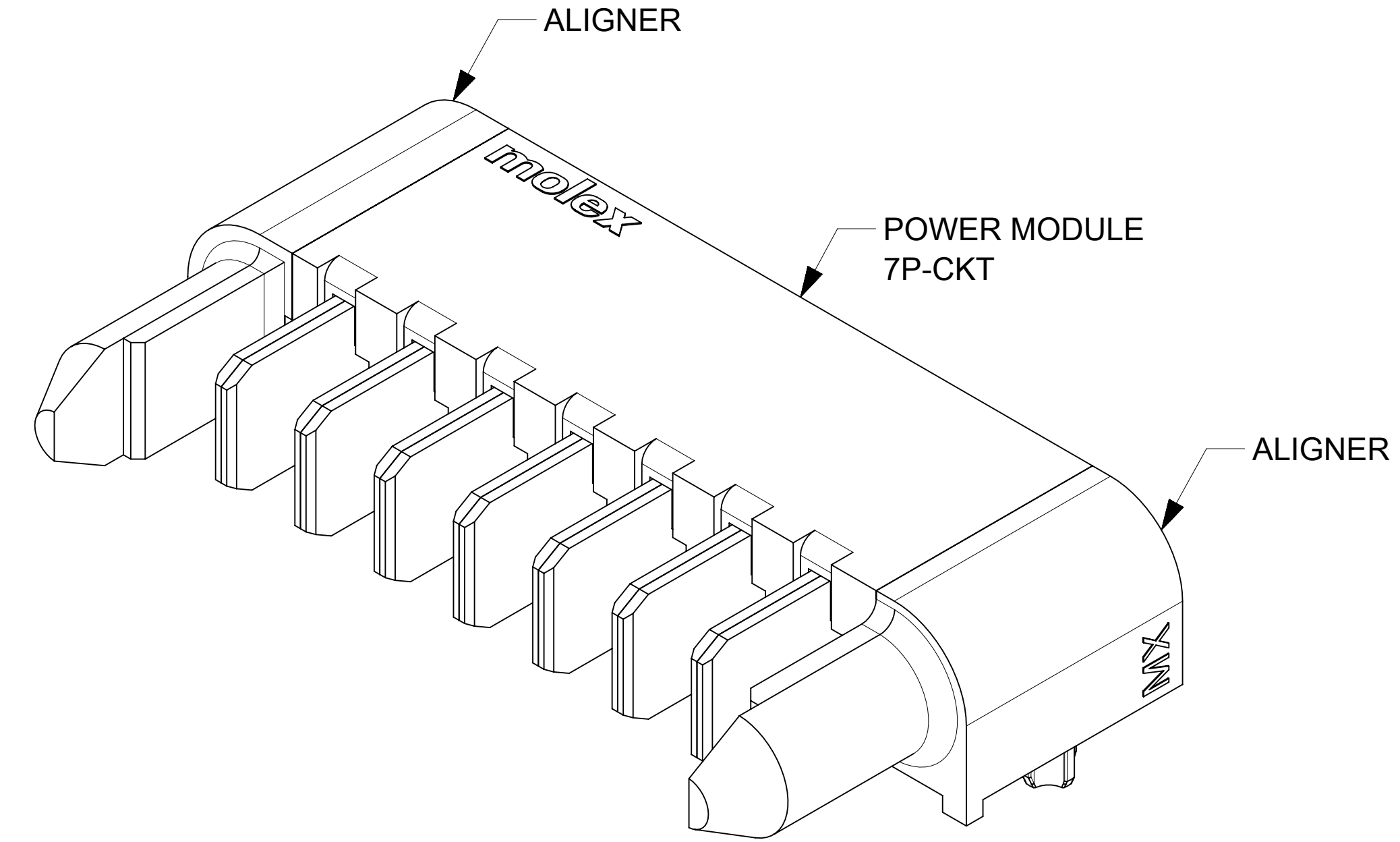
THIS DRAWING CONTAINS INFORMATION THAT IS PROPRIETARY TO MOLEX ELECTRONIC TECHNOLOGIES, LLC AND SHOULD NOT BE USED WITHOUT WRITTEN PERMISSION									
DIMENSION UNITS		SCALE		CURRENT REV DESC: ADDED ISOMETRIC VIEWS					
mm		4:1		<p>molex</p> <p>G-*P-G R/A PLUG ASSY - TEN60 POWER FAMILY</p> <p>PRODUCT CUSTOMER DRAWING</p> <p>DOCUMENT NUMBER: 464379310 DOC TYPE: PSD DOC PART: 000 REVISION: A1</p> <p>EC NO: 689821 DRWN: HARSHG 2021/12/13 CHK'D: GJEEVANSURES 2021/12/22 APPR: HTHYAGARAJ 2022/02/14</p> <p>INITIAL REVISION: DRWN: KSUTAR 2021/08/11 APPR: HTHYAGARAJ 2021/10/21</p> <p>DRAFT WHERE APPLICABLE THIRD ANGLE PROJECTION DRAWING SERIES MATERIAL NUMBER CUSTOMER SHEET NUMBER</p> <p>MUST REMAIN WITHIN DIMENSIONS D-SIZE 46437 SEE TABLE GENERAL MARKET 2 OF 3</p>					
GENERAL TOLERANCES (UNLESS SPECIFIED)									
ANGULAR TOL ± 0.5°									
4 PLACES ±									
3 PLACES ±									
2 PLACES ± 0.13									
1 PLACE ± 0.25									
0 PLACES ±									



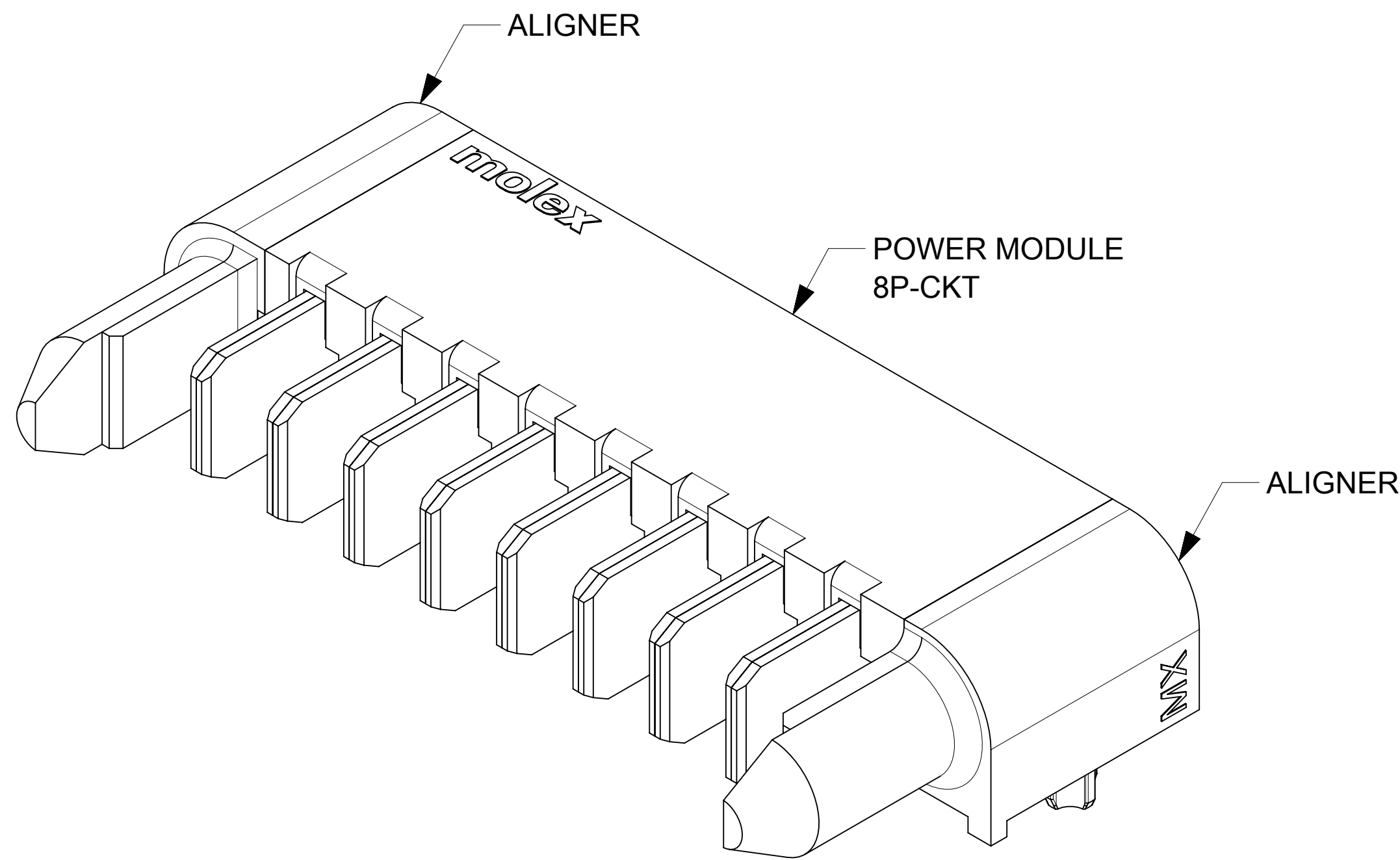
P/N : 46437-9305 (G-5P-G)



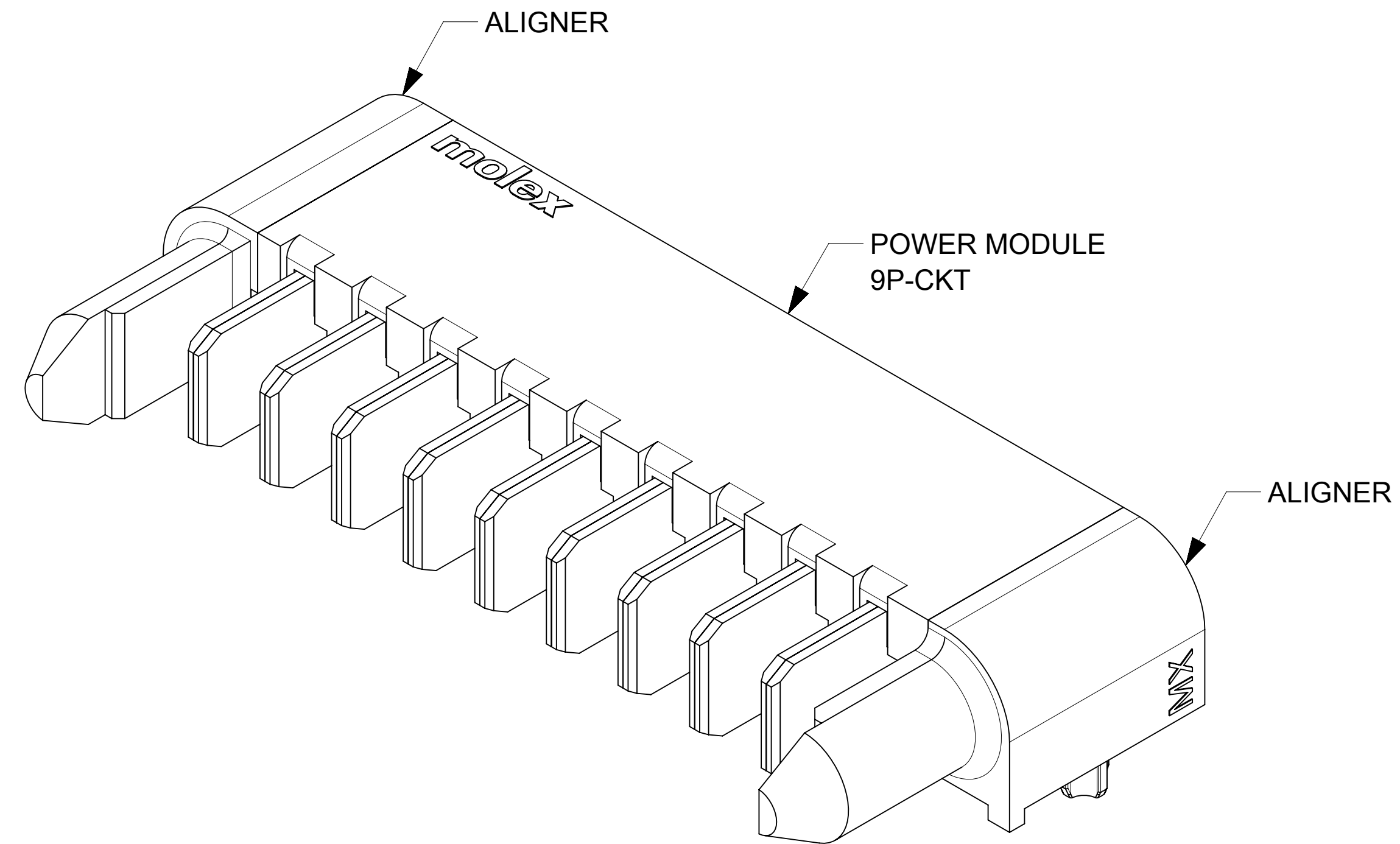
P/N : 46437-9306 (G-6P-G)



P/N : 46437-9307 (G-7P-G)



P/N : 46437-9308 (G-8P-G)



P/N : 46437-9309 (G-9P-G)

THIS DRAWING CONTAINS INFORMATION THAT IS PROPRIETARY TO MOLEX ELECTRONIC TECHNOLOGIES, LLC AND SHOULD NOT BE USED WITHOUT WRITTEN PERMISSION											
DIMENSION UNITS		SCALE		CURRENT REV DESC: ADDED ISOMETRIC VIEWS							
mm		4:1									
GENERAL TOLERANCES (UNLESS SPECIFIED)											
ANGULAR TOL ± 0.5°											
4 PLACES ±				EC NO: 689821							
3 PLACES ±				DRWN: HARSHG				2021/12/13			
2 PLACES ± 0.13				CHK'D: GJEEVANSURES				2021/12/22			
1 PLACE ± 0.25				APPR: HTHYAGARAJ				2022/02/14			
0 PLACES ±				INITIAL REVISION:							
				DRWN: KSUTAR				2021/08/11			
				APPR: HTHYAGARAJ				2021/10/21			
DRAFT WHERE APPLICABLE MUST REMAIN WITHIN DIMENSIONS				THIRD ANGLE PROJECTION		DRAWING		SERIES		MATERIAL NUMBER	
		D-SIZE		46437		SEE TABLE		GENERAL MARKET		SHEET NUMBER	
										3 OF 3	

molex

G-*P-G
R/A PLUG ASSY - TEN60 POWER FAMILY

PRODUCT CUSTOMER DRAWING

DOCUMENT NUMBER	DOC TYPE	DOC PART	REVISION
464379310	PSD	000	A1