

THIS DRAWING IS UNPUBLISHED.

RELEASED FOR PUBLICATION

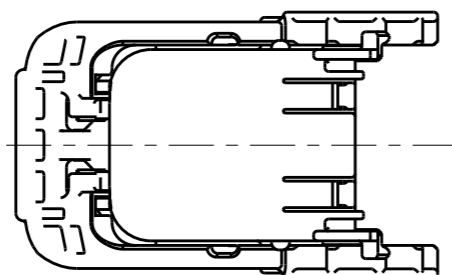
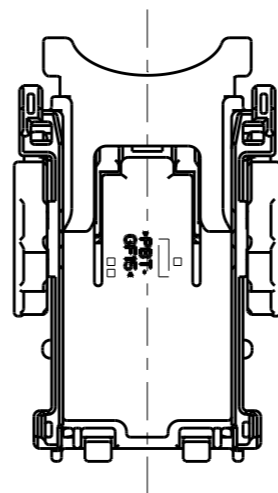
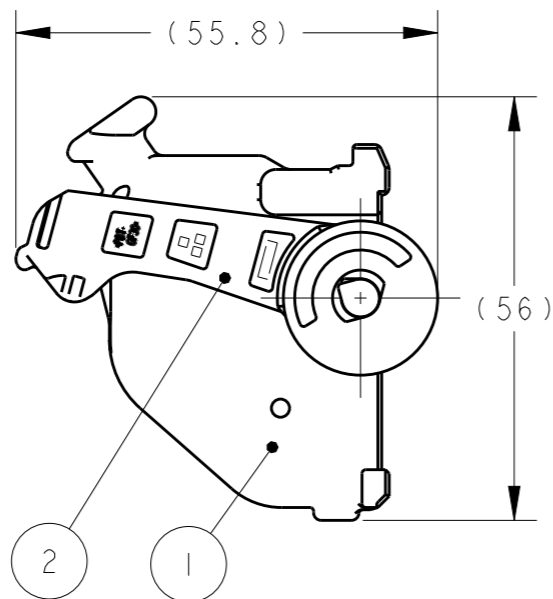
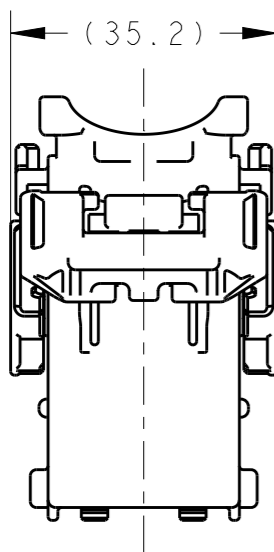
2013

© COPYRIGHT 2013 BY Tyco Electronics Japan G.K. ALL RIGHTS RESERVED.

REVISIONS

変更

P	LTR	DESCRIPTION	DATE	DWN	APVD
	A	RELEASED	25JUN18	ES	TK



1. APPLICABLE PLUG ASSEMBLY : 2304106-1
 2. THIS PRODUCT IS SETUPED INTO PLUG ASSEMBLY BY CUSTOMER.

1. 組立相手プラグアセンブリ型番 : 2304106-1
 2. 本製品は顧客にてプラグアセンブリと組立られる

1	GRAY	PBT GF	LEVER	2
1	BLACK	PBT GF	WIRE COVER	1
2303837-1	COLOR	MATERIAL	NAME	NO

THIS DRAWING IS A CONTROLLED DOCUMENT.

DIMENSIONS: 単位: 概 mm		TOLERANCES UNLESS OTHERWISE SPECIFIED:	
		一般公差	±0.3
		0 PLC	±
		1 PLC	±0.5
		2 PLC	±0.13
		3 PLC	±0.013
MATERIAL 材料		FINISH 仕上	
SEE TABLE		SEE TABLE	

DWN	E. SASAKI	25JUN18
CHK	S. IWATANI	25JUN18
APVD	T. KIMURA	25JUN18
PRODUCT SPEC 製品規格	108-140090-1	
APPLICATION SPEC 取付適用規格		
WEIGHT	21.0 g	
CUSTOMER DRAWING		

STE TE Connectivity			
NAME 名称 WIRE COVER ASSY 72POS TYPE2 SEALED 0.5/1.0/2.8 186POS SERIES カバーアセンブリ72極タイプ2, 防水0.5/1.0/2.8 186極			
SIZE	CAGE CODE	DRAWING NO 番号	RESTRICTED TO
A3	00779	C=2303837	
SCALE 尺度 1:1		SHEET 1 OF 1	REV A