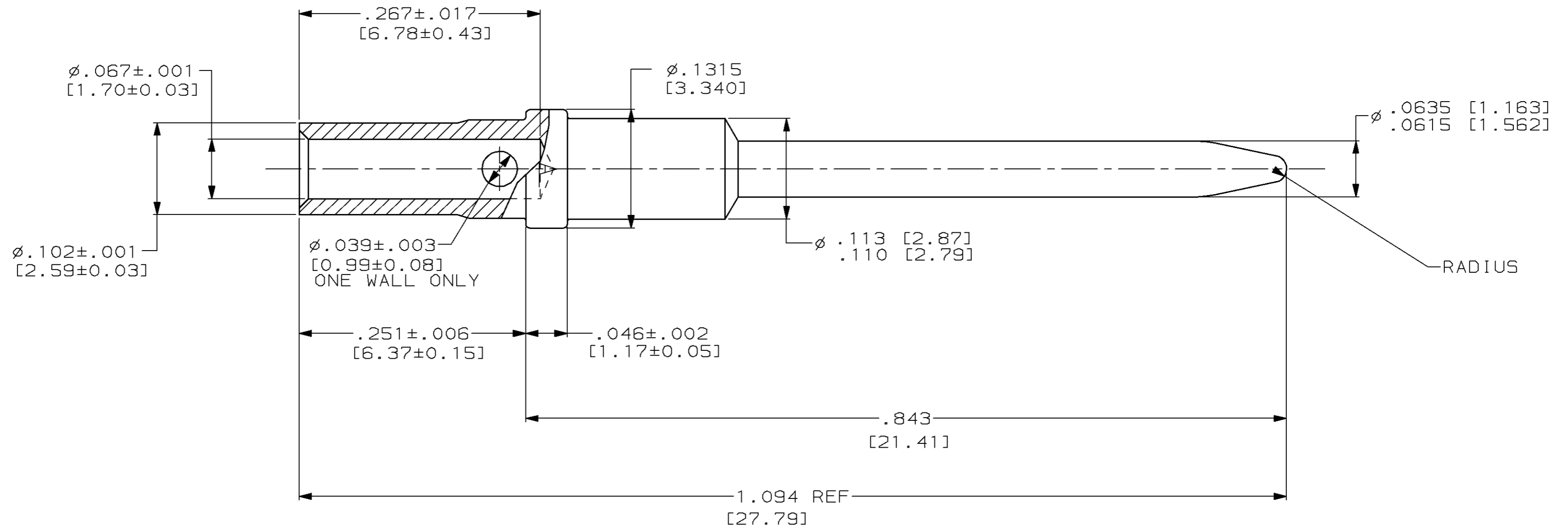


THIS DRAWING IS UNPUBLISHED. RELEASED FOR PUBLICATION  
 BY AMP INCORPORATED. ALL RIGHTS RESERVED.

LOC		DIST		REVISIONS			
P	LTR	DESCRIPTION		DATE	DWN	APVD	
0		DRAW PER 0600-5592-96 JB		04-97	JB	AS	



1 MATERIAL: COPPER ALLOY PER MIL-C-39029.  
 2 FINISH: GOLD .000050 [0.00127] MIN THK PER MIL-G-45204  
 OVER NICKEL .000050 [0.00127] MIN THK PER QQ-N-290.

443838-4  
 PART NO.

THIS DRAWING IS A CONTROLLED DOCUMENT.		DWN J. A. Baker 07-22-96	AMP Incorporated Harrisburg, PA 17105-3608
DIMENSIONS: INCHES [mm]		CHK A. SHARPE 04-18-97	
TOLERANCES UNLESS OTHERWISE SPECIFIED:		APVD A. SHARPE 04-18-97	NAME PIN CONTACT, SIZE 16, ARINC-600 EXTENDED LENGTH
0 PLC ±- 1 PLC ±- 2 PLC ±- 3 PLC ±.010 [0.25] 4 PLC ±.0015 [0.038] ANGLES ±-		PRODUCT SPEC -	SIZE A2
MATERIAL 1		APPLICATION SPEC -	CAGE CODE 00779
FINISH 2		WEIGHT -	DRAWING NO C-443838
		CUSTOMER DRAWING	SCALE 10:1 SHEET 1 OF 1 REV 0

443838