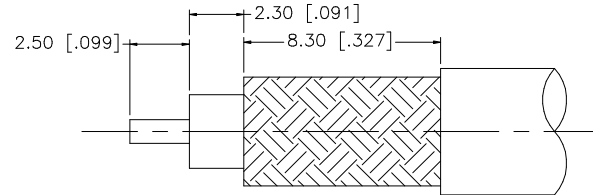
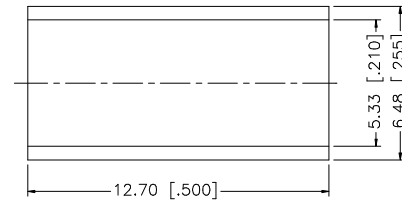
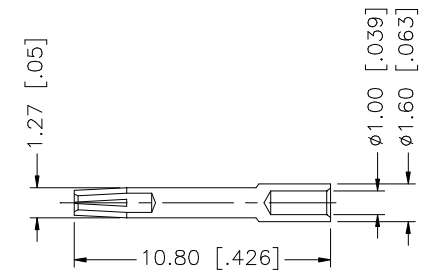
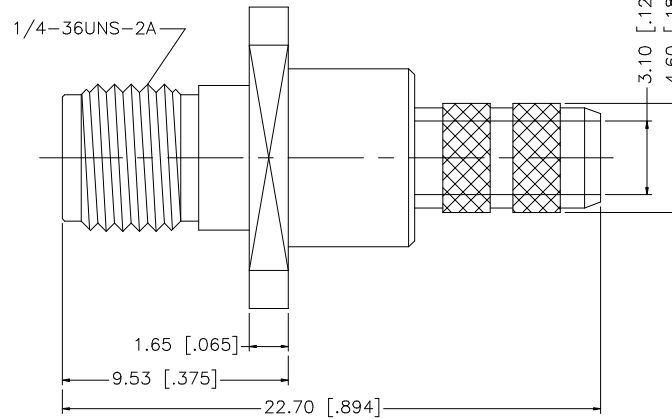
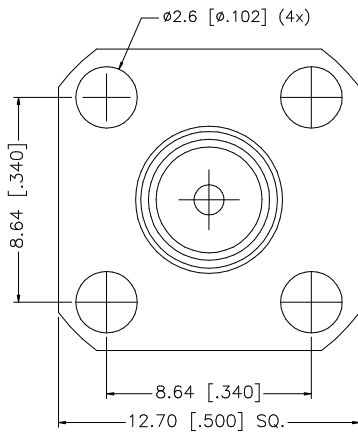


REV.	DATE	DESCRIPTION
NC	09/27/06	INITIAL RELEASE



RECOMMENDED CABLE STRIPPING DIMS.



NOTE:

1. CRIMPED FERRULE HEX CRIMP SIZE .213"
2. CONTACT PIN TO SOLDER

				UNLESS OTHERWISE SPECIFIED DIMENSIONS ARE IN MILLIMETERS. DIMENSIONS IN [] ARE IN INCHES AND FOR CUSTOMER REFERENCE ONLY.	APPROVALS	DATE	Amphenol Connex
8					DRAWN G.R.S.	09/27/06	
7					CHECKED		
6					ISSUED		
5					SHEET 1 OF 1		
4	FERRULE	COPPER	GOLD	1			PART NO. 132120
3	CONTACT PIN	BER. COPPER	GOLD	1			DWG. NO. 132120.DWG
2	INSULATOR	TEFLON	NATURAL	1			
1	BODY	BRASS	GOLD	1			SIZE A
	DESCRIPTION	MATERIAL	FINISH	QTY	DO NOT SCALE DRAWING	CAD FILE C:/132/132120.DWG	SCALE NA

UNLESS OTHERWISE SPECIFIED DIMENSIONS ARE IN MILLIMETERS. DIMENSIONS IN [] ARE IN INCHES AND FOR CUSTOMER REFERENCE ONLY.

UNLESS OTHERWISE SPECIFIED TOLERANCES FOR MILLIMETERS ARE:
0.5 - 8mm ± 0.20mm
8 - 30mm ± 0.40mm
30 - 120mm ± 0.50mm

UNLESS OTHERWISE SPECIFIED TOLERANCES FOR INCHES ARE:
.020 - .315 = ± 0.007"
.315 - 1.180 = ± 0.015"
1.180 - 4.724 = ± 0.020"