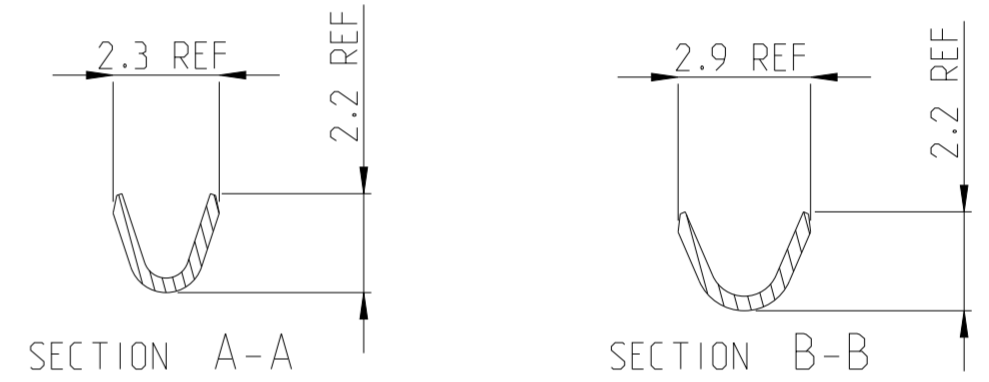
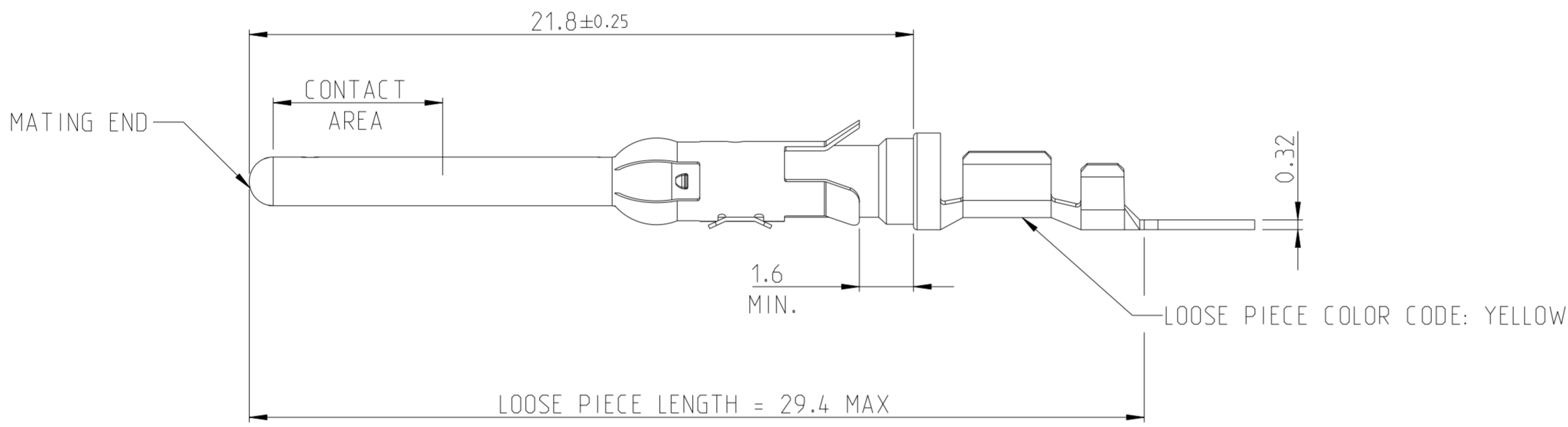
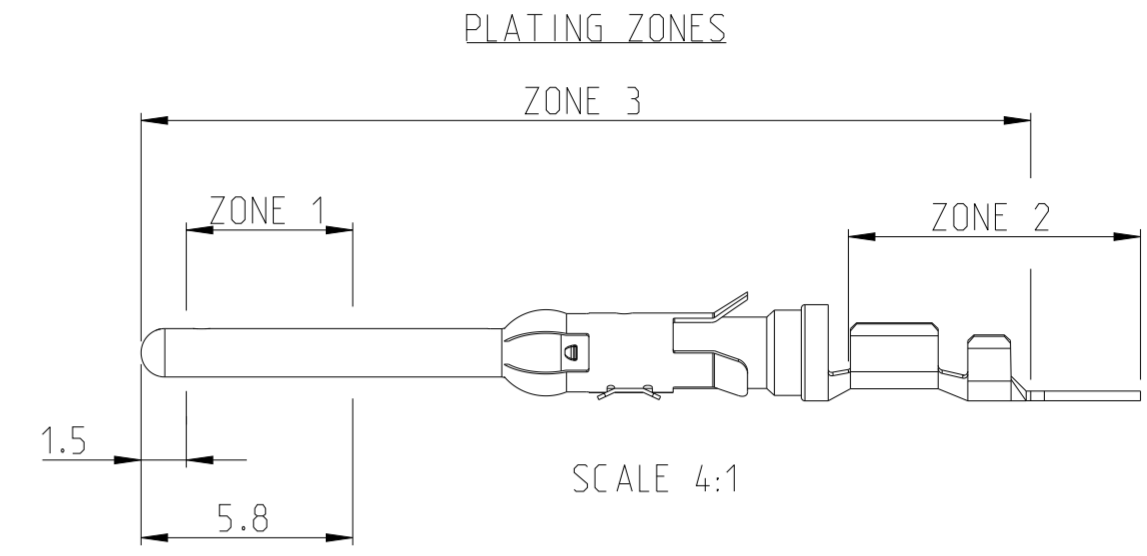
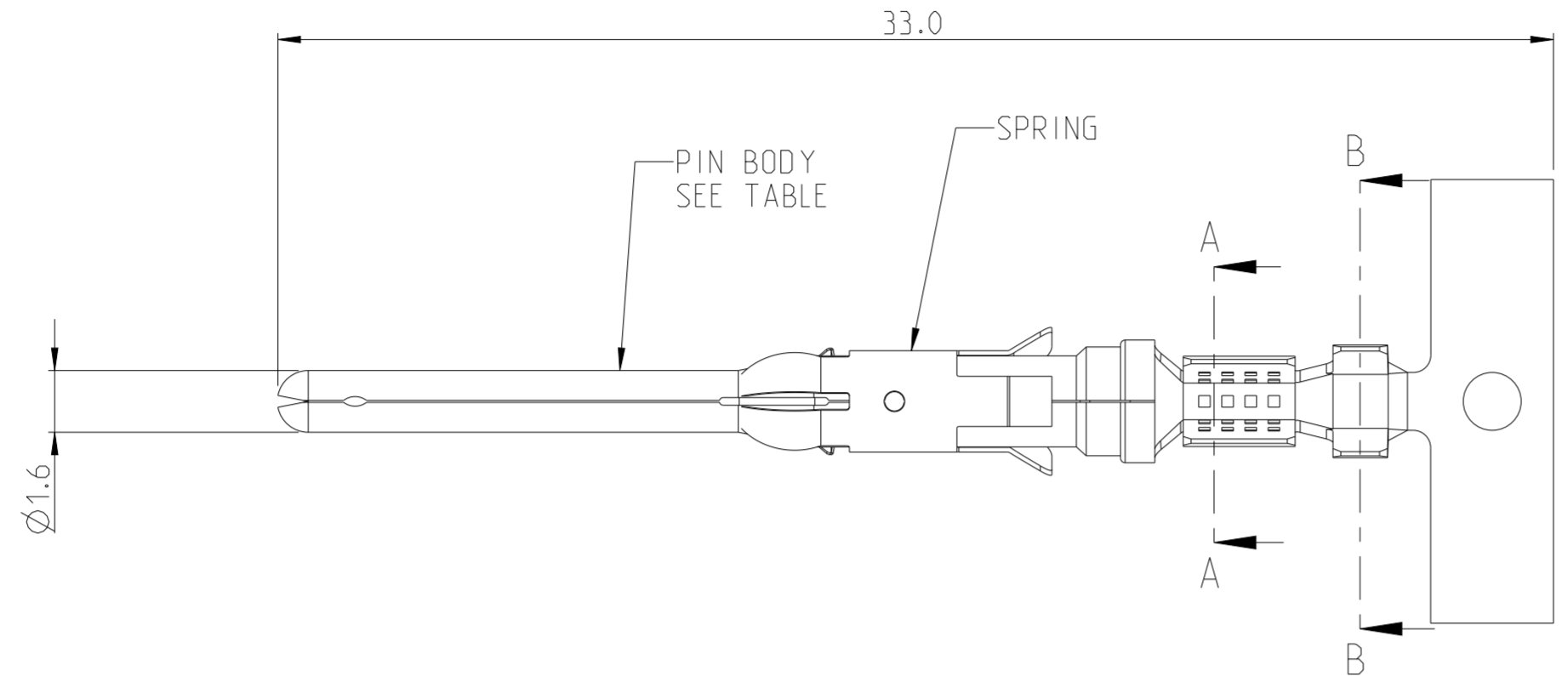
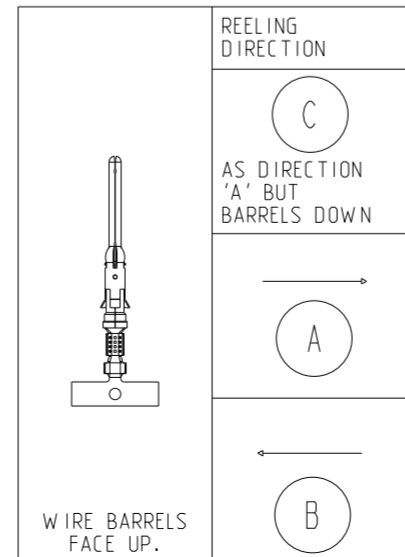


P	LTR	DESCRIPTION	DATE	DWN	APVD
J		ECO-21-006957	25JUN2021	RK	MZ
K		PLATING THICKNESS CHANGED REFER NOTE 7	29JUN2022	DM	SM



- 1 1.27 MICRON MIN NICKEL PLATE OVER ZONE 3.  
0.76 MICRON MIN PRECIOUS METAL PLATE OVER ZONE 1.  
1 MICRON MIN TIN PLATE OVER ZONE 2.  
CONFORMS TO THE REQUIREMENTS OF TE CONNECTIVITY PRODUCT SPEC 108-10042  
BASED ON EIA/ECA-364-1000.01A (CONTROLLED ENVIRONMENT APPLICATIONS)
- 2 1.27 MICRONS MIN NICKEL PLATE OVER ZONE 3.  
0.76 MICRON MIN PRECIOUS METAL ELECTROPLATE OVER ZONE 1.  
0.076 MICRON MIN GOLD FLASH PLATE OVER THE REMAINDER OF ZONE 3.  
CONFORMS TO THE REQUIREMENTS OF TE CONNECTIVITY PRODUCT SPEC 108-10042  
BASED ON EIA/ECA-364-1000.01A (CONTROLLED ENVIRONMENT APPLICATIONS)
- 3 1.54 - 2.54 MICRON SILVER PLATE OVER ZONE 3.
- 4 1.27 MICRON MIN NICKEL PLATE OVER ZONE 3.  
0.76 MICRON MIN GOLD PLATE OVER ZONE 1.  
0.076 MICRON MIN GOLDFLASH PLATE OVER THE REMAINDER OF ZONE 3.
- 5 1.27 MICRON MIN NICKEL PLATE OVER ZONE 3.  
0.76 MICRON MIN GOLD PLATE OVER ZONE 1.  
1 MICRON MIN TIN PLATE OVER ZONE 2.
- 6 HOT-DIPPED PRETIN
- 7 1.27 MICRONS MIN NICKEL PLATE OVER ZONE 3.  
2.5 - 5.1 MICRON ELECTRO-TIN PLATE OVER ZONE 3
- 8 0.76 MICRON MIN NICKEL PLATE OVER ZONE 3 PER QQ-N-290  
1.5 - 2.54 MICRON SILVER PLATE OVER ZONE 3.
- 9 SERRATIONS CAN BE MULTILOCK OR TWO SLOTS
- 10. WIRE RANGE: 0.20 - 0.50 mm<sup>2</sup> (24-20 AWG)
- 11. INSULATION RANGE: 1.1 - 1.8 mm (.043-.070) DIA
- 12 SPECIAL REEL WITH 200 PCS FOR REEL-FED HANDTOOL
- 13. OMISSION OF 6 CONTACTS MAX PER REEL OF 5000PCS



REELING DIRECTION	(C)
AS DIRECTION 'A' BUT BARRELS DOWN	(A)
REELING	(B)

A	7	STAINLESS STEEL	PHBR	164163-8	164160-8
A	1	STAINLESS STEEL	BRASS		164160-7
B	1	STAINLESS STEEL	BRASS	164163-4	164160-6
A	1	STAINLESS STEEL	BRASS	164163-2	164160-4
A	7	STAINLESS STEEL	BRASS	164163-1	164160-3
B	2	STAINLESS STEEL	BRASS		164160-2
REELING	FINISH	SPRING MATERIAL	PIN BODY	LOOSE PIECE	PART NUMBER
DWN J.BRIGHT	28/11/11				
CHK M.GREENER	28/11/11				
THIS DRAWING IS A CONTROLLED DOCUMENT.		TE Connectivity			
DIMENSIONS: mm		NAME TYPE III+, SIZE 16, PIN ASS'Y LONG SERIES, 24-20 AWG, 1.1-1.8mm DIA INSULATION			
TOLERANCES UNLESS OTHERWISE SPECIFIED:		SIZE A2			
0 PLC ±0.5	1 PLC ±0.25	CAGE CODE 100779			
2 PLC ±0.15	3 PLC ±0.15	DRAWING NO C-164160			
4 PLC ±	ANGLES ±2°	RESTRICTED TO			
MATERIAL SEE TABLE		WEIGHT -			
FINISH SEE TABLE		CUSTOMER DRAWING			
		SCALE NTS		SHEET 1 OF 1	
				REV K	