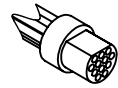


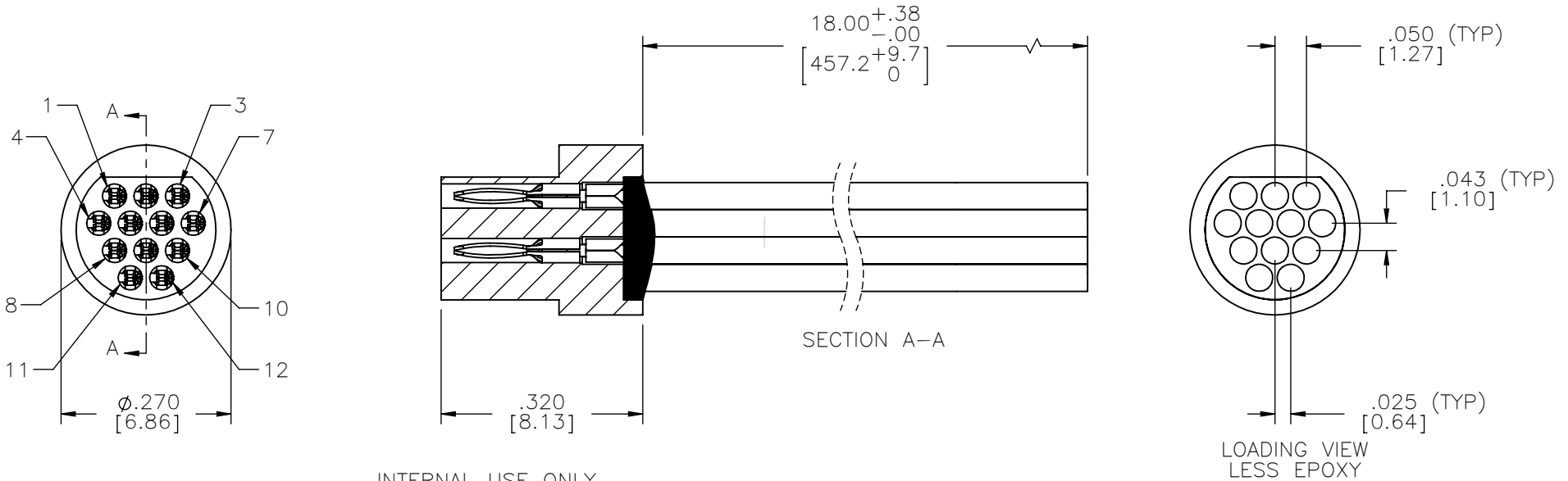
|          |            |     |        |          |     |
|----------|------------|-----|--------|----------|-----|
| PART NO. | A22006-001 | REV | ECO    | DATE     | APP |
|          |            | F   | 101393 | 03-17-15 | TLM |

MATERIAL & SPECIFICATIONS

INSULATOR: LIQUID CRYSTAL POLYMER (LCP) PER ASTM D5138.  
 CONTACT: BERYLLIUM COPPER PER ASTM B194, C17200. GOLD PLATED PER ASTM B488, (HARD GOLD) TYPE II CODE C CLASS 1.27.  
 TERMINATION: 26 AWG (7-34) TYPE E PER NEMA HP3, COLOR CODED PER TABLE.  
 CURRENT CAPACITY 3 AMP MAX.  
 CONTACT RESISTANCE 26 MILLIOHMS (65 mv) MAX @ 2.5 AMPS  
 PERFORMANCE : PRODUCT FAMILY TESTED TO AND PASSED THE PERFORMANCE SPECIFICATIONS OF TABLE VII OF MIL-DTL-83513



ACTUAL SIZE  
EXCLUDING WIRE LENGTH



INTERNAL USE ONLY  
 USE MFG LOADING  
 PROCEDURE MC-12P

| PIN # | COLOR     |
|-------|-----------|
| 1     | BLACK     |
| 2     | BROWN     |
| 3     | RED       |
| 4     | ORANGE    |
| 5     | YELLOW    |
| 6     | GREEN     |
| 7     | BLUE      |
| 8     | VIOLET    |
| 9     | GRAY      |
| 10    | WHITE     |
| 11    | WHT/BLACK |
| 12    | WHT/BROWN |

NOTE:  
 DIMENSIONS IN [ ] ARE IN MILLIMETERS UNLESS OTHERWISE NOTED AND ARE FOR REFERENCE ONLY

**RoHS**

|  |  |  |                  |  |                       |
|--|--|--|------------------|--|-----------------------|
| MCP  | THIRD ANGLE  | THIS DRAWING CONTAINS CONFIDENTIAL AND PROPRIETARY INFORMATION WHICH IS THE PROPERTY OF OMNETICS CONNECTOR CORP. THIS DOCUMENT MAY NOT, IN WHOLE OR IN PART, BE DUPLICATED, OR DISCLOSED FOR ANY PURPOSE, WITHOUT WRITTEN PERMISSION FROM OMNETICS CONNECTOR CORP. | DATE<br>02-28-01 | TITLE:<br>(12) PIN MALE<br>CIRCULAR<br>CONNECTOR | CAGE CODE 61873       |
|  | -TOLERANCES-<br>UNLESS OTHERWISE NOTED<br>DIMENSIONS IN INCHES       |  |                  |  |                       |
| MCTS   | 2 PL DEC ± .01<br>3 PL DEC ± .005<br>4 PL DEC ± .0005<br>ANGLES ± 1° | DFTM. PMX  | DATE             |  | DWG NO.<br>A22006-001 |
|  |  | CHK'D.   | DATE             |  | SHEET 1 OF 1          |
|  |  | APP'D.   | DATE             |  | REV<br>F              |
| <b>OMNETICS</b><br>CONNECTOR CORPORATION<br>7260 COMMERCE CIRCLE EAST<br>MINNEAPOLIS, MN 55432<br>WWW.OMNETICS.COM |  |  |                  |  | SCALE: 4:1            |