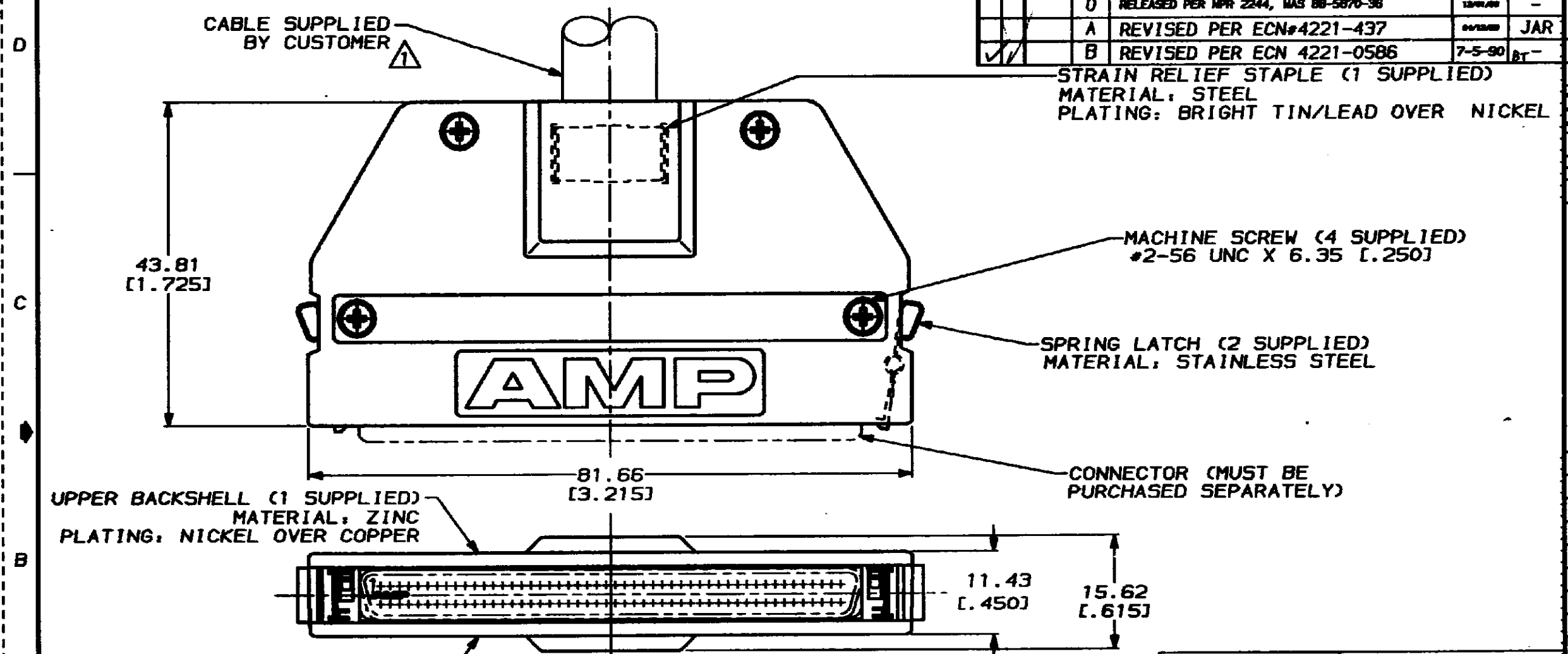


4
DRAWING MADE IN THIRD ANGLE PROJECTION

THIS DRAWING IS UNPUBLISHED. RELEASED FOR PUBLICATION .19
© COPYRIGHT 19 BY AMP INCORPORATED. ALL INTERNATIONAL RIGHTS RESERVED.

8 BD 39

ZONE	LTR	DESCRIPTION	DATE	APPD
	0	RELEASED PER MFR 2244, MAS 88-5870-36	12/91/88	-
	A	REVISED PER ECN#4221-437	04/1989	JAR
	B	REVISED PER ECN 4221-0586	7-5-90	BT



UPPER BACKSHELL (1 SUPPLIED)
MATERIAL: ZINC
PLATING: NICKEL OVER COPPER

LOWER BACKSHELL (1 SUPPLIED)
MATERIAL: ZINC
PLATING: NICKEL OVER COPPER

⚠ 12.70 [0.500] MAX CABLE DIA

METRIC

STRAIN RELIEF STAPLE (1 SUPPLIED)
MATERIAL: STEEL
PLATING: BRIGHT TIN/LEAD OVER NICKEL

MACHINE SCREW (4 SUPPLIED)
#2-56 UNC X 6.35 [0.250]

SPRING LATCH (2 SUPPLIED)
MATERIAL: STAINLESS STEEL

CONNECTOR (MUST BE
PURCHASED SEPARATELY)

DO NOT SCALE PRINT.
DIMENSIONS UNLESS SPECIFIED
DIMENSIONS IN INCHES
TOLERANCES ON:
2 PLC DEC ±
3 PLC DEC ± 0.38 LWS
ANGLES ±

MATERIAL	-
FINISH	-
WEIGHT	-

OR 12-30-88	R.A. McCAFFEY
CHK 12-30-88	R.E. BUECK
APPD 12-20-88	J. BRONKHORST
APPD 12-30-88	C.E. REYNOLDS
PRODUCT SPEC	-
APPLICATION SPEC	-

AS SHOWN	749197-1
REMARKS	PART NO
AMP	AMP INCORPORATED Harrisburg, Pa. 17105
INDIVIDUAL KIT, UNASSEMBLED, 100 POSITION, STRAIGHT EXIT, UNKEYED, AMPLINITE .050 Series	
SIZE B	PSGN NO 00779
SCALE 2:1	DRAWING NO 749197
	SHEET 1 OF 1