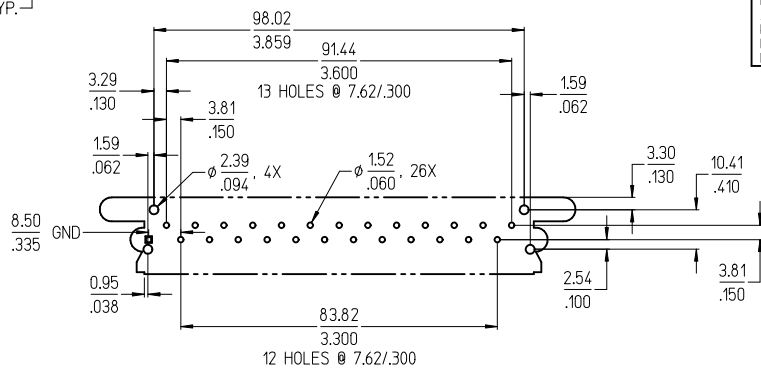


DATE CODE ALLEN-BRADLEY (C)			
EVEN	MONTH	ODD YEARS	
A	JAN	N	A-2012-2013
B	FEB	O	B-2014-2015
C	MAR	P	C-2016-2017
D	APR	R	D-2018-2019
E	MAY	S	E-2020-2021
F	JUN	T	F-2022-2023
H	JUL	U	G-2024-2025
I	AUG	V	H-2026-2027
J	SEP	W	I-2028-2029
K	OCT	X	J-2030-2031
L	NOV	Y	K-2032-2033
M	DEC	Z	L-2034-2035
			M-2036-2037
			N-2038-2039
			O-2040-2041
			P-2042-2043
			Q-2044-2045
			R-2046-2047
			S-2048-2049
			T-2050-2051
			U-2052-2053
			V-2054-2055
			W-2056-2057
			X-2058-2059
			Y-2060-2061
			Z-2062-2063



NOTES:

1. MATERIAL: SEE TABLE
2. FINISHES: SEE TABLE
3. PIN ORGANIZERS MAY TWIST, WARP, BOW AND/OR OTHERWISE DEFLECT.
4. TAIL LOCATIONS TOLERANCE IS $\pm 0.51 \pm 0.20$ W/PIN ORGANIZER INSTALLED.
5. ASSEMBLY IS ROHS COMPLIANT.

RECOMMENDED PTH PATTERN

ITEM	QTY.	DESCRIPTION	MATERIAL	FINISH
14	2	THREADED NUT INSERT	BRASS	NICKEL
13	13	REAR PIN	HPA COPPER	SELECTIVE GOLD/NICKEL
12	12	FRONT PIN	HPA COPPER	SELECTIVE GOLD/NICKEL
11	1	HEADER HOUSING	NYLON (PA) 66/6	GRAY
10	2	RETAINER CLIP	STEEL	ZN/CLEAR CHROMATE
9	2	JACKING SCREW, M2.5, PAN, PH/SL	STEEL	NICKEL/COPPER
8	1	GROUND PIN	BRASS	TIN
7	25	SCREW&WASHER, WIRING, M3, PAN, PH/SL	STEEL	NICKEL/COPPER
6	25	NUT	STEEL	ZN/YELLOW CHROMATE
5	13	LONG PLUG TERMINAL	BERYLLIUM COPPER	SELECTIVE GOLD/NICKEL
4	12	SHORT PLUG TERMINAL	BERYLLIUM COPPER	SELECTIVE GOLD/NICKEL
3	1	PIN ORGANIZER	POLYESTER	WHITE
2	1	COVER, FRONT ROW	POLYCARBONATE	CLEAR
1	1	PLUG HOUSING	NYLON (PA) 66/6	GRAY

UPDATE DATE CODE TABLE EC NO: IPG2012-0311 DRWN: ENC/INAS 2012/01/30 CHKD: APPR: JMACNEIL 2012/03/20	DESCRIPTION
------------------------------------------------------------------------------------------------------------------	-------------

QUALITY SYMBOLS ▽=0 ▽=0	GENERAL TOLERANCES (UNLESS SPECIFIED)
	mm INCH
	4 PLACES ± --- ± ---
	3 PLACES ± --- ± .005
	2 PLACES ± 0.13 ± .01
	1 PLACE ± 0.3 ± ---
	ANGULAR ± 2 °
	DRAFT WHERE APPLICABLE MUST REMAIN WITHIN DIMENSIONS

DIMENSION STYLE		SCALE	DESIGN UNITS	THIRD ANGLE PROJECTION
MM/IN		1:1	INCH	
DRAWN BY	DATE	TITLE		
R. KEMP	2003/02/18	DR BTS PLUG & HEADER W/ PIN ORGANIZER AND GND PIN, 26 ASSY.		
CHECKED BY	DATE	MOLEX INCORPORATED		
R. STONE	2003/02/18	MATERIAL NO. 399390009		
APPROVED BY	DATE	DOCUMENT NO. SD-39939-001		
P. WALTZ	2003/02/18	SHEET NO. 1 OF 1		