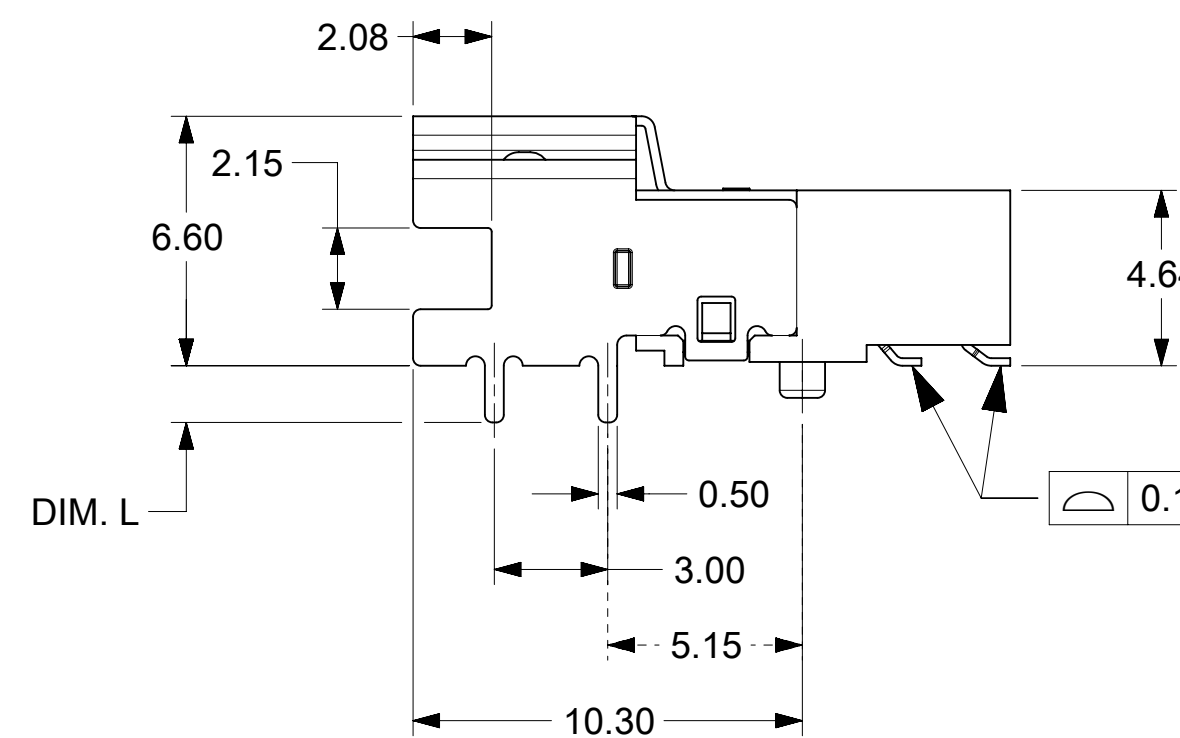
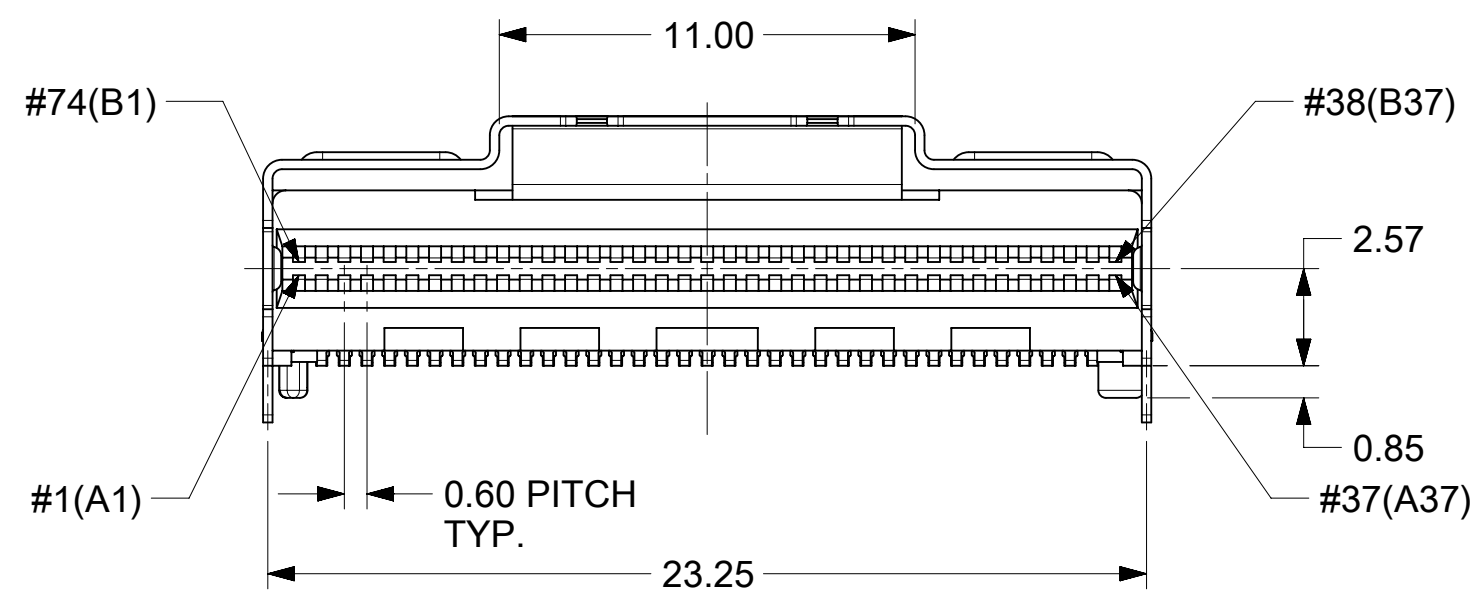
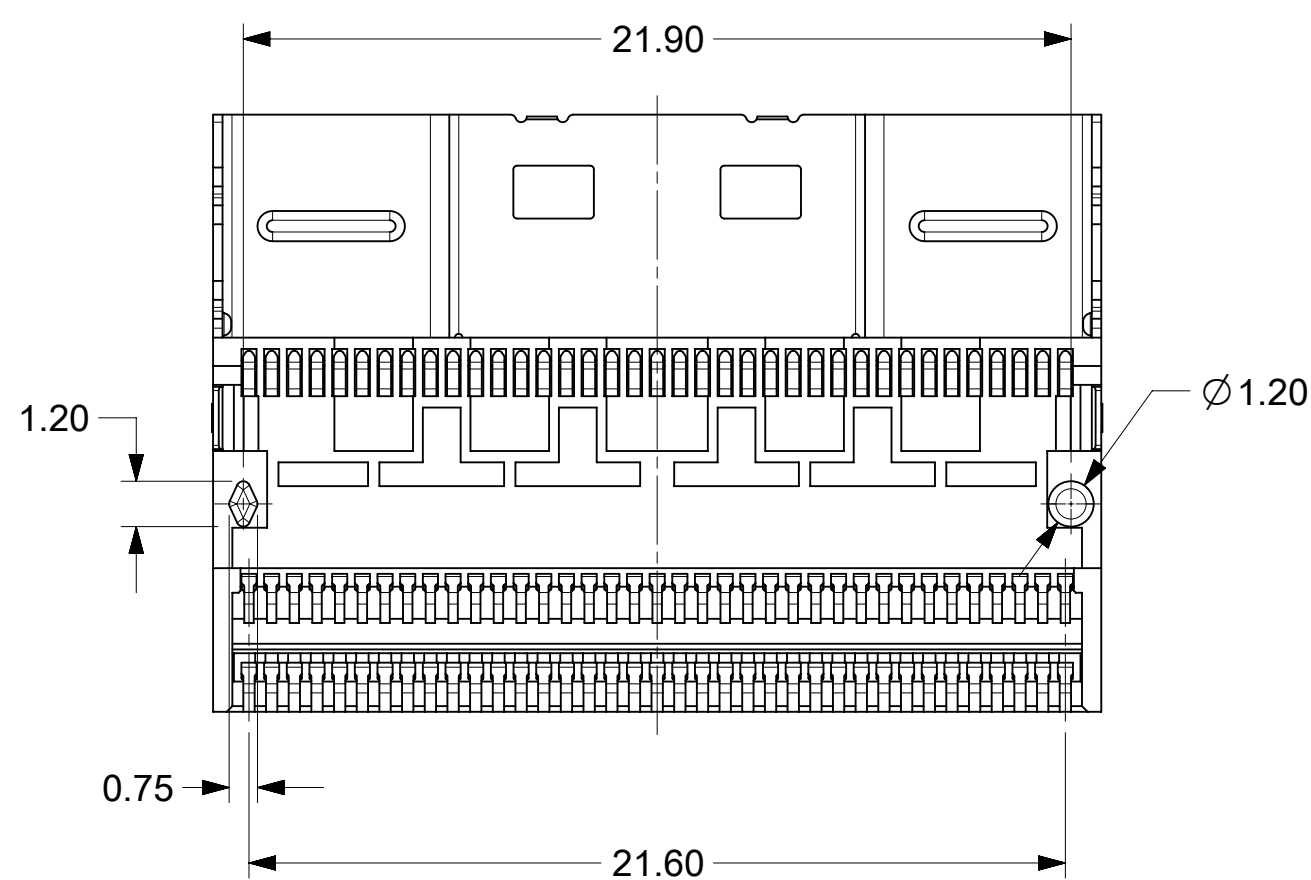


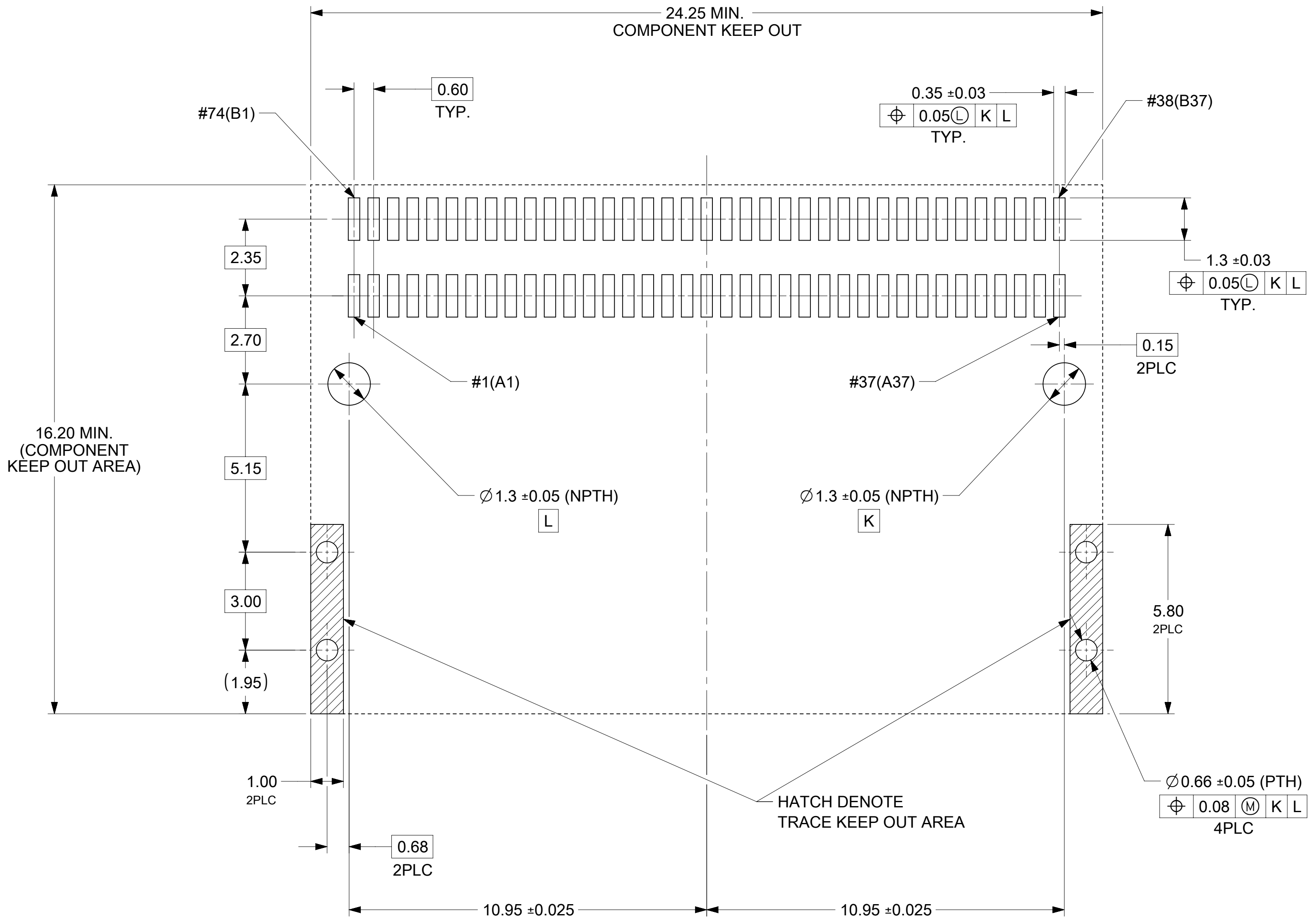
- NOTE:
- MATERIAL:
 - HOUSING : LCP, UL94-V0, BLACK OR NATURAL COLOR
 - INSERT MOLD: LCP, UL94-V0, BLACK COLOR
 - CONTACT: COPPER ALLOY
 - SHELL: NICKEL SILVER
 - FINISH:
 - CONTACT: GOLD PLATING (SEE TABLE) ON CONTACT AREA 100u" MIN. MATTE TIN PLATING ON SOLDERTAIL 50u" MIN. NICKEL UNDER PLATING OVERALL
 - GROUND: 50u" MIN. NICKEL PLATING OVERALL
 - SOLDERTAILS COPLANARITY TO BE 0.1 MAXIMUM.
 - ROHS COMPLIANT



HSG COLOR	GOLD PLATING	DIM. L	PART NUMBER
NATURAL	0.375um [15u"]	4.2	2119662018
		3.0	2119662017
		2.2	2119662016
	0.75um [30u"]	1.5	2119662015
		4.2	2119662014
		3.0	2119662013
BLACK	0.375um [15u"]	2.2	2119662012
		1.5	2119662011
		4.2	2119662008
	0.75um [30u"]	3.0	2119662007
		2.2	2119662006
		1.5	2119662005
		4.2	2119662004
		3.0	2119662003
		2.2	2119662002
		1.5	2119662001



FUNCTIONAL SYMBOLS $\nabla_A = 0$ $\nabla_E = 0$ $\nabla_P = 0$ DIVISIONAL SYMBOLS	THIS DRAWING CONTAINS INFORMATION THAT IS PROPRIETARY TO MOLEX ELECTRONIC TECHNOLOGIES, LLC AND SHOULD NOT BE USED WITHOUT WRITTEN PERMISSION	SCALE: 5:1	CURRENT REV DESC:		
	mm	GENERAL TOLERANCES (UNLESS SPECIFIED)	EC NO: 690306	2021/12/27	
	4 PLACES ±	ANGULAR TOL ± °	DRWN: ETSENG	2021/12/30	
	3 PLACES ± 0.15		CHK'D: ETSENG	2021/12/30	
2 PLACES ± 0.25		APPR: VPENG01	2021/12/30		
1 PLACE ± 0.35		INITIAL REVISION:			
0 PLACES ±		DRWN: SHOU	2019/04/08		
		APPR: ETSENG	2020/03/23		
DRAFT WHERE APPLICABLE MUST REMAIN WITHIN DIMENSIONS	THIRD ANGLE PROJECTION	DRAWING	SERIES	MATERIAL NUMBER	CUSTOMER
		C-SIZE	211966	SEE TABLE	GENERAL MARKET
				DOCUMENT NUMBER	DOC TYPE DOC PART REVISION
				2119662001	PSD 000 D
				SHEET NUMBER	1 OF 2



RECOMMENDED PCB LAYOUT
TOLERANCE : ±0.05

FUNCTIONAL SYMBOLS $\overline{A} = 0$ $\overline{C} = 0$ $\overline{P} = 0$	THIS DRAWING CONTAINS INFORMATION THAT IS PROPRIETARY TO MOLEX ELECTRONIC TECHNOLOGIES, LLC AND SHOULD NOT BE USED WITHOUT WRITTEN PERMISSION		CURRENT REV DESC:		
	DIMENSION UNITS	SCALE	EC NO: 690306		
	mm	10:1	DRWN: ETSENG 2021/12/27		
	GENERAL TOLERANCES (UNLESS SPECIFIED)		CHK'D: ETSENG 2021/12/30		
DIVISIONAL SYMBOLS	ANGULAR TOL	± °	APPR: VPENG01 2021/12/30		PRODUCT CUSTOMER DRAWING
	4 PLACES	±	INITIAL REVISION:		DOCUMENT NUMBER
	3 PLACES	± 0.15	DRWN: SHOU 2019/04/08		2119662001
	2 PLACES	± 0.25	APPR: ETSENG 2020/03/23		DOC TYPE
1 PLACE	± 0.35	DRAFT WHERE APPLICABLE MUST REMAIN WITHIN DIMENSIONS		PSD	
0 PLACES	±	THIRD ANGLE PROJECTION		DOC PART	
DRAWING		SERIES		000	REVISION
C-SIZE		211966		D	
MATERIAL NUMBER		CUSTOMER		SHEET NUMBER	
SEE TABLE		GENERAL MARKET		2 OF 2	

DOCUMENT STATUS	P1	RELEASE DATE	2021/12/30	10:25:57
-----------------	----	--------------	------------	----------