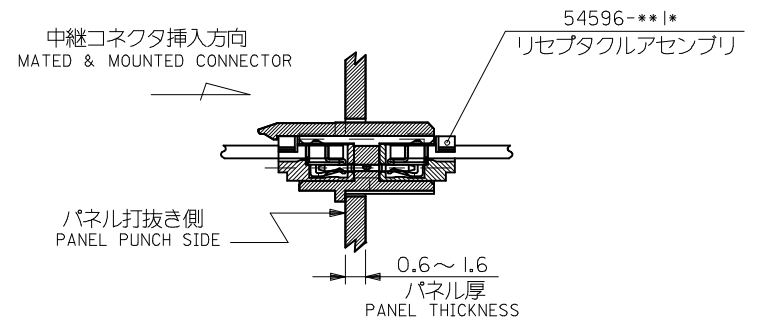
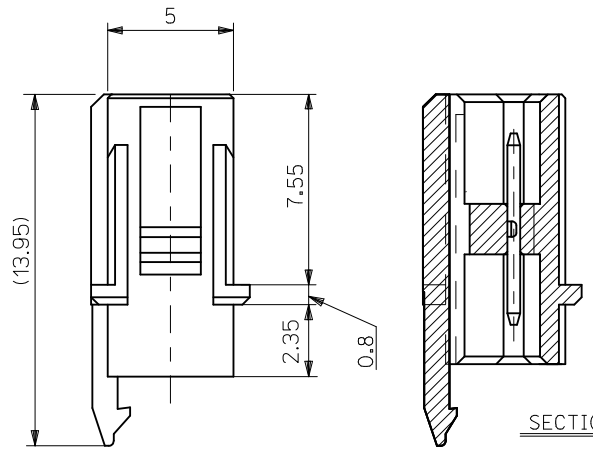
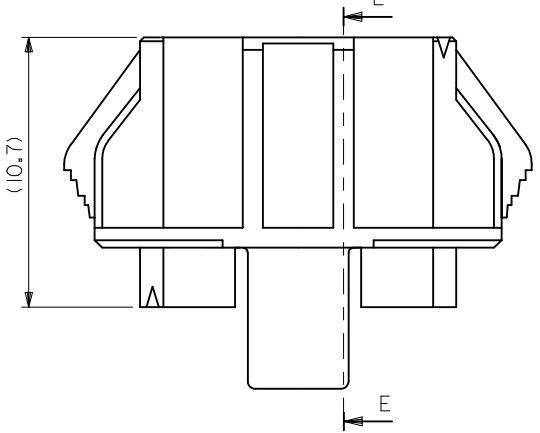


推奨パネル加工寸法 (SCALE:2-1)
RECOMMENDED PANEL CUT DIMENSION



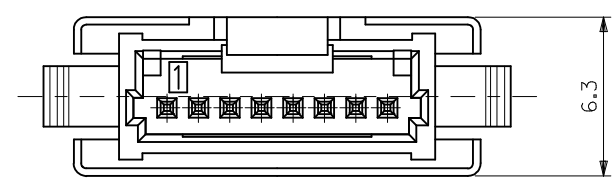
嵌合状態図
MATED & MOUNTED CONNECTOR



SECTION E-E

- 注記 NOTES
- 1.材質 MATERIAL
ウエハー: ポリアミド、UL94-V0、ナチュラル色
WAFER: PA、UL94-V0、COLOR NATURAL
ピン: 黄銅、銅下地 錫メッキ
PIN: BRASS, PRE-TINNED
 - 2.嵌合相手 MATE WITH
リセプタクルアセンブリ: 54596-***1*
REC.ASS'Y: 54596-***
ピン: リン青銅、錫メッキ
PIN: PHOSPHOR BRONZE, PRE-TINNED
 - 3.本製品は 55482-***10 の鉛フリー品である。
THIS PRODUCT IS LEAD FREE OF 55482-***10.
 4. ELV AND ROHS COMPLIANT.

31.35	23.75	27.55	31.15	55482-2019	20
30.1	22.5	26.3	29.9	55482-1919	19
28.85	21.25	25.05	28.65	55482-1819	18
27.6	20	23.8	27.4	55482-1719	17
26.35	18.75	22.55	26.15	55482-1619	16
25.1	17.5	21.3	24.9	55482-1519	15
23.85	16.25	20.05	23.65	55482-1419	14
22.6	15	18.8	22.4	55482-1319	13
21.35	13.75	17.55	21.15	55482-1219	12
20.1	12.5	16.3	19.9	55482-1119	11
18.85	11.25	15.05	18.65	55482-1019	10
17.6	10	13.8	17.4	55482-0919	9
16.35	8.75	12.55	16.15	55482-0819	8
15.1	7.5	11.3	14.9	55482-0719	7
13.85	6.25	10.05	13.65	55482-0619	6
12.6	5	8.8	12.4	55482-0519	5
11.35	3.75	7.55	11.15	55482-0419	4
10.1	2.5	6.3	9.9	55482-0319	3
8.85	1.25	5.05	8.65	55482-0219	2
D	C	B	A	TRAY	CIRCUITS



55482-***19	MODEL NO.	ORDER NO. オーダー番号
-------------	-----------	------------------

REVISED EC NO: J2010-0170 DRWN:TKON 2009/07/27 CHKD:KASAKAWA 2009/07/28 APPR:NUKITA 2009/07/29	GENERAL TOLERANCES (UNLESS SPECIFIED)		DIMENSION STYLE	SCALE	DESIGN UNITS	THIRD ANGLE PROJECTION
			MM ONLY	5:1	METRIC	⊙ □
	10 UNDER	±0.2	DRAWN BY	DATE	TITLE	
	10 OVER 30 UNDER	±0.25	Y. SAKIYAMA	04/05/10	MINI MI2 1-ROW RELAY WAFER ASSY -LEAD FREE-	
30 OVER	±0.3	CHECKED BY	DATE	MOLEX INCORPORATED		
ANGULAR	±3 °	APPROVED BY	DATE	MATERIAL NO.		
DRAFT WHERE APPLICABLE MUST REMAIN WITHIN DIMENSIONS		M. SASAO	04/05/10	DOCUMENT NO.		
		SEE TABLE		SD-55482-004		
		THIS DRAWING CONTAINS INFORMATION THAT IS PROPRIETARY TO MOLEX INCORPORATED AND SHOULD NOT BE USED WITHOUT WRITTEN PERMISSION				SHEET NO. 1 OF 1