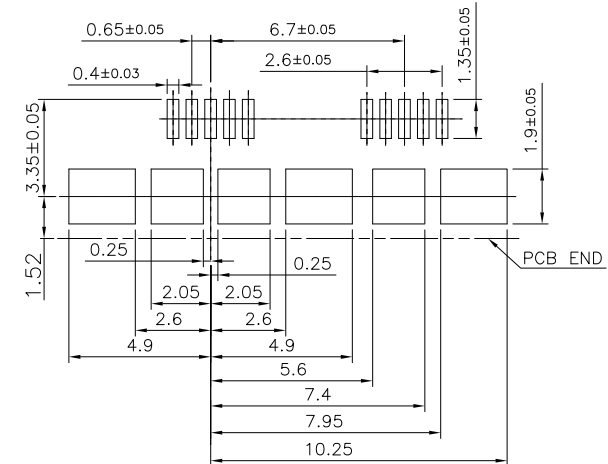


Section A-A

Specifications:  
 1.8A for VBUS and GND Contacts  
 0.25A for all other Contacts  
 Contact resistance:30mohm max.  
 Insulation resistance:100Mohm min.  
 Withstanding Voltage:100V R.M.S  
 Operating Temperature:-40°C ~ +105°C

Material and Finish  
 Insulator:LCP(UL94V-0)  
 Insulator Color:Black  
 Contact:Phosphor Bronze  
 Plated:15u" Gold Plated on Contact Area,  
 Tin Plated on Solder Tail.  
 Shell:Brass, Nickel Plated



Recommended P.C.B Layout

RoHS Compliant

| REV | DATE | FILE | BY |
|-----|------|------|----|
|     |      |      |    |
|     |      |      |    |
|     |      |      |    |
|     |      |      |    |
|     |      |      |    |

|           |  |
|-----------|--|
| DRAWN:    | GENERAL TOLERANCE:<br>.X=±0.3<br>.XX=±0.25<br>.XXX=±0.10 |
| CHECKED:  | UNIT: MM<br>SCALE:1:1                                    |
| APPROVAL: | SHEET: 1 / 2<br>PROJECTION:                              |

|  |            |
|--|------------|
| <b>CnC Tech</b><br>Industrial Cable and Connector Technology |            |
| DESCRIPTION:<br>MICRO USB 3.0 AB TYPE SMD,15u"               | SIZE<br>A4 |
| PART NO:<br>1003-005-23100-TR                                |            |

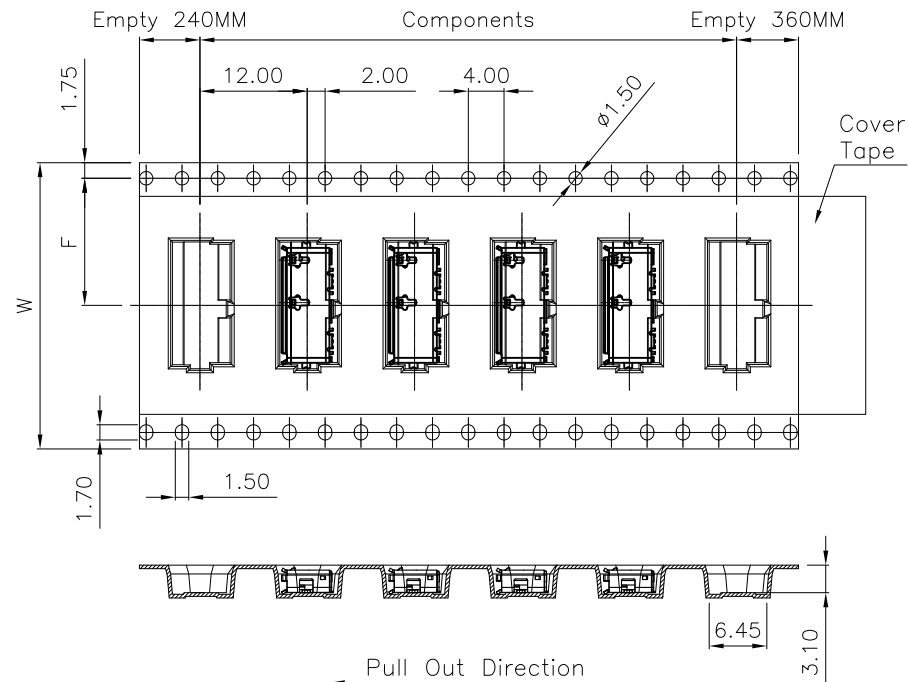
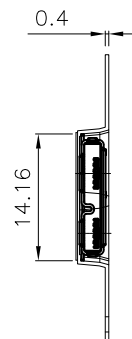
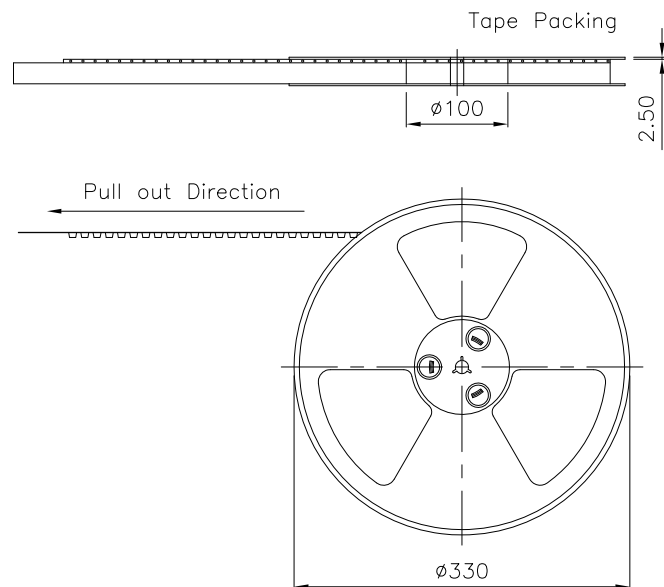
1

2

3

4

5



| Pin No | W  | F    | PCS/R | R/CTN | Q'TY   |
|--------|----|------|-------|-------|--------|
| 10     | 32 | 14.2 | 1,500 | 10    | 15,000 |

Note:

- 1.All dimensions meet EIA-481-3 Requirements.
- 2.Material:PS Transparent Polystyrene
- 3.Thickness:0.40±0.05mm
- 4.Component load per 13" reel:1500Pcs.
- 5.Carton Size:340\*340\*205(mm)

RoHS Compliant

|     |      |      |    |           |   |  |   |                   |
|-----|------|------|----|-----------|---|--|---|-------------------|
|     |      |      |    | DRAWN:    | GENERAL TOLERANCE:<br>.X=±0.20<br>.XX=±0.15 | <b>CnC Tech</b><br>Industrial Cable and Connector Technology | DESCRIPTION:<br><b>MICRO USB 3.0 AB TYPE SMD,15u"</b> | SIZE<br><b>A4</b> |
|     |      |      |    | CHECKED:  | UNIT: MM<br>SCALE:1:1                       |  |   |                   |
|     |      |      |    | APPROVAL: | SHEET: 2 / 2                                | PART NO:   | 1003-005-23100-TR                                     |                   |
| REV | DATE | FILE | BY |           | PROJECTION:                                 |  |   |                   |