

PROPRIETARY INFORMATION:

PROPRIETARY OF GLOBTEK, INC. ANY REPRODUCTION, DISCLOSURE OR USE OF THIS DRAWING, IN WHOLE OR IN PART, IS HEREBY PROHIBITED EXCEPT AS SPECIFIED IN WRITING BY GLOBTEK, INC.

REVISION HISTORY


REV	DESCRIPTION	SALES	RFS	DATE	APPROVED
A	INITIAL RELEASE	EM	25328	12/11/2013	HM
B	CHANGE PACK APPROVALS FROM UL1642 TO UL2054, ADD IEC/EN 62133 SECOND EDITION, ADD PCM NOTE	EM	25632	9/15/2014	HM
C	UPDATE CELL SIZE, INTERNAL IMPEDANCE, CHARGING TIME, WEIGHT, UPDATE MECHANICAL, OUTPUT CORD AND CONNECTOR	EM	25739	12/15/2014	HM
D	UPDATE CELL FROM 261635 TO GP251635, UPDATE LABEL, REMOVE 'PENDING' FROM REGULATORY APPROVALS	EM	25817	2/19/2015	HM
E	ADD CYCLE LIFE, CHARGING RATE, CHARGER CURRENT, CHARGER INPUT VOLTAGE	EM	25887	4/22/2015	HM
F	UPDATE O/P CONNECTOR FROM MOLEX 51021-2P TO HIROSE DF65-3S-1.7C	DR	25918	5/20/2015	HM
G	ADD NOTE REGARDING SHIPMENT CHARGE CAPACITY AND VOLTAGE	EM	25971	6/26/2015	HM
H	REMOVE LABEL FROM PAGE 3 MECHANICAL, CLARIFY WIRE COLORS	EM	26011	7/17/2015	HM
I	UPDATE PACKING: CARTON DIMENSIONS	EM	26221	3/28/2016	HM
J	UPDATE CELL LABEL	NF	26733	4/13/2017	MK
K	UPDATE PACKAGING DRAWING TO PLASTIC TRAY	SV	27143	8/23/2018	MK
K1	UPDATE FORMAT	DR	27543	7/5/2020	DR

Foot Note:

instruction.

Limitation of Use:

Globtek product are not authorized for use as mission critical components in life support hazardous environment, nuclear or aircraft applications without prior written approval from the CEO of Globtek Inc.
Contents of this document are subject to change without prior notice

 GlobTek, Inc.
www.globtek.com

186 Veterans Drive, Northvale, NJ 07467
Tel. 201-784-1000 Fax 201-784-0111

Drawing Title: Rechargeable Li-ion Polymer Battery

3.7Volts@105mAh, 1S1P, PCM

MODEL NO: GP261635

PART NO: BL0105F2635161S1PCAT

REV K1

PROPRIETARY INFORMATION:

PROPRIETARY OF GLOBTEK, INC. ANY REPRODUCTION, DISCLOSURE OR USE OF THIS DRAWING, IN WHOLE OR IN PART, IS HEREBY PROHIBITED EXCEPT AS SPECIFIED IN WRITING BY GLOBTEK, I

By customer signing or accepting this document, they agree to acknowledge and accept the **Guidelines and cautions, Safety Notes, and Safety Precautions published on GlobTek's website**
http://en.globtek.com/safety-cautions.php#.UUD-NRzU_I8

GlobTek offers a 5-year warranty on workmanship and electrical components assembly on all new battery pack products excluding the battery cells themselves which are covered by the Manufacturer's original warranty at their published warranty period. Please refer to the manufacturer's warranty policy for cells. For GlobTek brand cells, GlobTek provides a 12-month warranty for Li-Ion batteries. The warranty period is based upon the expectation that the battery will deliver 80% of its initial capacity after 300 cycles at low to moderate power loads. High power loads may cause a battery to reach 80% of initial capacity in less than the 12-month warranty period. Li-Ion batteries will continue to operate below the 80% capacity threshold; however, the capacity (run time) delivered between charges will continue to decrease.

The purchaser of GlobTek battery pack products (Customer) agrees that they are a "Sophisticated user" who understands battery technology and that it is their sole responsibility to determine suitability of the product described for their application and to take precautions for protection against any hazards attendant to the handling and use of the product. GlobTek products are only designed for professional use and integration by companies into their products and may not be used by consumers directly. GlobTek provides batteries and battery packs as a component of an end system.

The acceptance of GlobTek specifications, the information on this page and use of the product(s) described in this or other GlobTek documents indicate that the product was qualified for use (tested and/or sample waiver signed), and the acceptance and binding of the customer to GlobTek terms and conditions, which supersede all other agreements, terms and conditions
<http://en.globtek.com/terms-and-conditions/>

Customer Approval of Specification:

Please approve, sign and send back to GlobTek so we can complete order processing.

A delay in receipt of this form will delay delivery schedule.

Company Name:

Customer P/N:

Quote Number:

Date:

Authorized Representative Name:

Authorized Representative Signature:


Foot Note:

Globtek inc. will not be liable for the safety and performance of these power supplies if unauthorized access and repair occurs. End user should consult applicable UL, CSA or EN standards for proper installation instruction.

Limitation of Use:

Globtek product are not authorized for use as mission critical components in life support hazardous environment, nuclear or aircraft applications without prior written approval from the CEO of Globtek Inc.

Contents of this document are subject to change without prior notice

 GlobTek®, Inc. www.globtek.com	Drawing Title: Rechargeable Li-ion Polymer Battery 3.7Volts@105mAh, 1S1P, PCM	
	MODEL NO: GP261635	
186 Veterans Drive, Northvale, NJ 07467 Tel. 201-784-1000 Fax 201-784-0111	PART NO: BL0105F2635161S1PCAT	REV K1

PROPRIETARY INFORMATION:

PROPRIETARY OF GLOBTEK, INC. ANY REPRODUCTION, DISCLOSURE OR USE OF THIS DRAWING, IN WHOLE OR IN PART, IS HEREBY PROHIBITED EXCEPT AS SPECIFIED IN WRITING BY GLOBTEK, I

NOTES:

DIMENSIONS ARE IN MM UNLESS SPECIFIED OTHERWISE.



1. ELECTRICAL SPECIFICATIONS:

Rated Capacity	105	mAh
Nominal Voltage	3.7	Volts
Watt-Hour Rating	0.388	Watt Hour

2. GENERAL SPECIFICATIONS:

Cell Brand	GLOBTEK	
Cell Size	2.80x16.50x37.00mm	
Cell Configuration	1S1P	
Thermistor (NTC) Inside Pack	NO	
Maximum Discharge Current	105m	Amps
Minimum Discharge Voltage	2.4	Volts
Internal Impedance	<500	milli Ohms
Protection Module		GlobTek Standard
Pack ID	NONE	
Fuel Gauge IC Used	NONE	
Fuel Gauge Data Access Method	N/A	

3. CHARGER SPECIFICATIONS:

Charger Circuit	NONE	Built inside the pack
Charging Method	N/A	Constant Current and Constant Voltage
Charge Termination Method	N/A	Minimum Charge Current and Safety Timer as back-up
Charger Input Voltage	4.2	Volts
Charger Input Current	50mA, 105mA Max.	Amps
Charging Rate	105mAh	Capacity
Charging Time (Approximate)	2.5	Hours, from completely discharged battery to fully charged
Max. Charging Voltage	4.2	Volts
Ship Charge		Before shipment battery pack will be charged to approximately 50% capacity, which translates to ~3.6V charge voltage or higher.

4. Protection

Overcharge Voltage	4.3 ±0.05	
Overdischarge Voltage	2.4 ±0.1	
Overtemperature		Overtemperature circuit built-in inside the protection module

5. AMBIENT CONDITIONS:

Ambient Temperature During Charging	0°C to +45°C
Ambient Temperature During Discharging	-10°C to +60°C
Storage Temperature and Charge Retention	1 Year at -20C to +25C; >80% 3 Months at -20C to +45C; >80% 1 Month at -20C to +50C; >80%
Humidity	65 +/- 20% Relative Humidity
Weight:	20 gr approx.
Cycle life (25°C)	Discharge with 0.5c current until 3V. Charge with 0.5c constant current to 4.2V. Charge with 4.2V voltage until current less than 20mA. Keep for 10 minutes. Discharge with 0.5C constant current to 3V. Keep for 10 minutes. Cycling 3 times until capacity less than 80% with 0.5C current. Cycle ≥300 times.

GlobTek, Inc. www.globtek.com 186 Veterans Drive, Northvale, NJ 07467 Tel. 201-784-1000 Fax 201-784-0111	Drawing Title: Rechargeable Li-ion Polymer Battery	
	3.7Volts@105mAh, 1S1P, PCM	
	MODEL NO: GP261635	
	PART NO: BL0105F2635161S1PCAT	REV K1

6. REGULATORY APPROVALS

Cells Approved To
 Pack Approved To
 ROHS
 Transportation

UL 1642: 2012 RO 7.13 / TUVus
 IEC 62133:2012 Second edition. EN62133:2013. CB certificate
 Complies with EU 2002/95/EC and China SJ/T 11363-2006
 UN 38.3

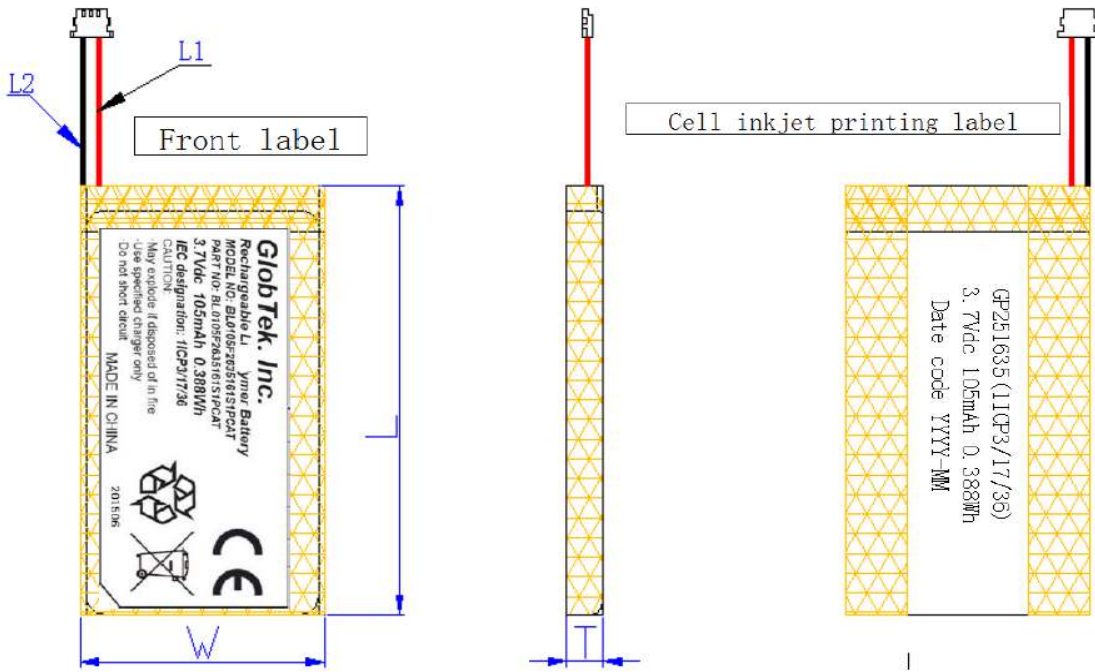
7. WARRANTY

Warranty

5 years warranty on the battery pack excluding the cells themselves which are covered by the Manufacturer's original warranty at their published warranty period. Please refer to the manufacturer's warranty policy for cells.

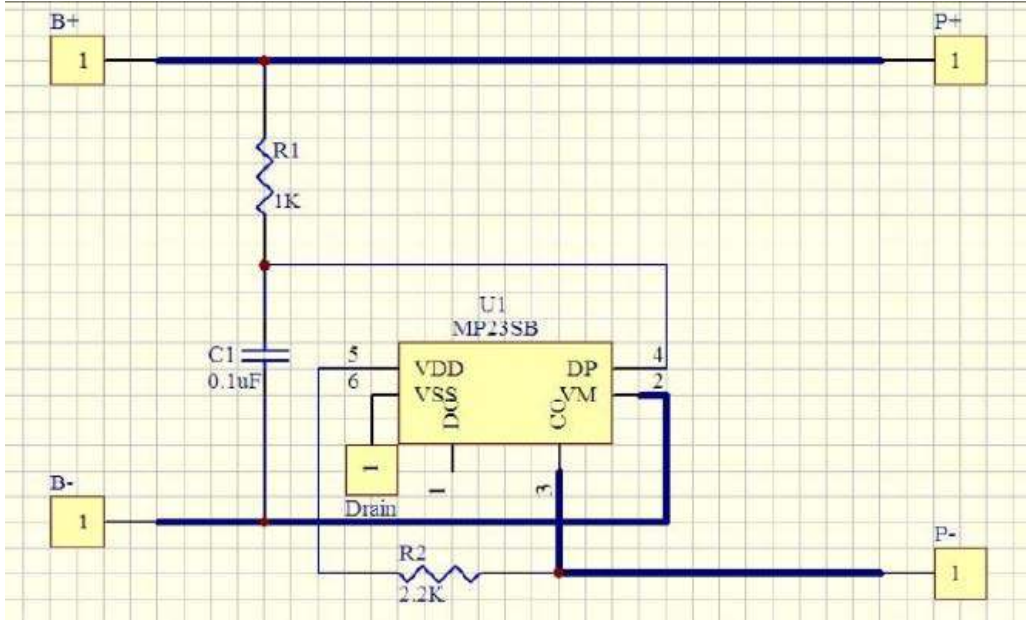
8. MECHANICAL

For 1 Cell:



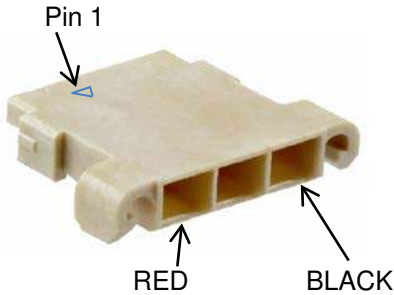
Item	AWG/Color	Dimension	Item	Description	Dimension
L1	UL3302 26AWG Red	30±3mm	T	Thickness (max)	2.8mm
L2	UL3302 26AWG Black	30±3mm	W	Width(max)	16.5mm
			L	Length(max)	37mm

9. SCHEMATIC



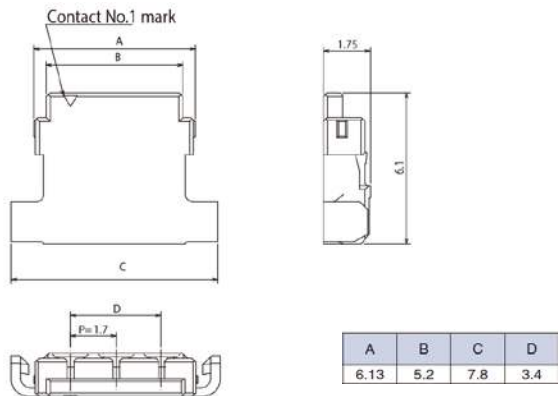
10. OUTPUT CORD AND CONNECTOR:

ACTUAL CONNECTOR'S, OVERMOLDS, FERRITES, MAY VARY SLIGHTLY FROM THE PICTURE BELOW

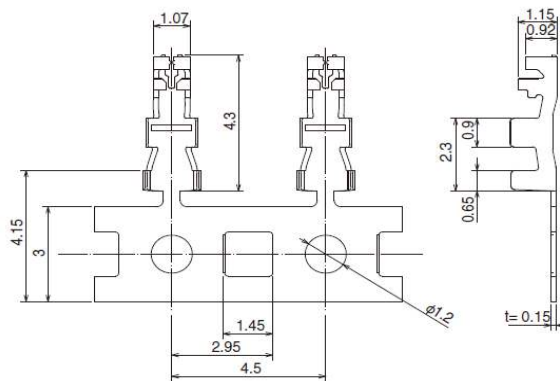


	Equivalent	Y/N	
Cable Type			UL3302
Cable Length			30±3 mm
Wire gauge			26 AWG
Female Connector -1X		N	Hirose DF65-3S-1.7C
Contacts - 2X		N	Hirose DF65-2428SCF
Pin Assigment and Wire Color			Pin 1: PACK+(Red)
			Pin 2: Left Vacant
			Pin 3: PACK -(Black)
Other requirements			SEE BELOW

Crimp socket



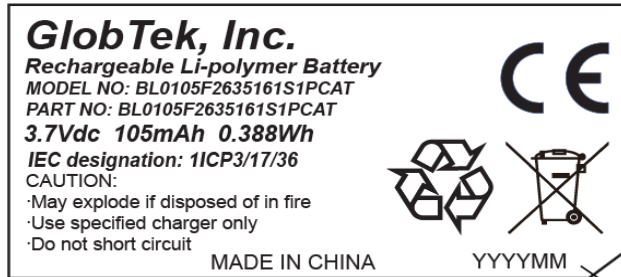
Crimp contact



11. LABELS:

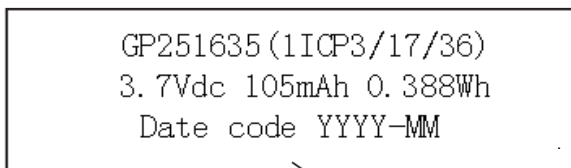
MATERIAL: FLAT THERMAL TRANSFER, IMPRINTABLE, POLYESTER SHEET 25*12 mm
 BACKGROUND COLOR: WHITE OR SILVER
 TEXT COLOR: BLACK

Pack Battery Label:



DATE CODE:
 YYYY - Year
 MM - Month

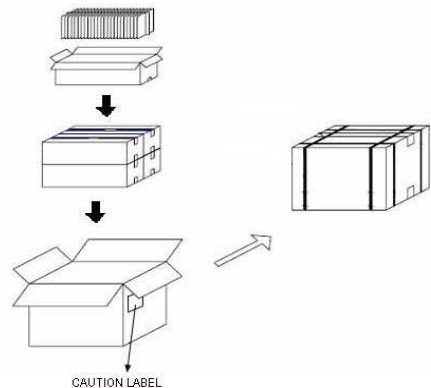
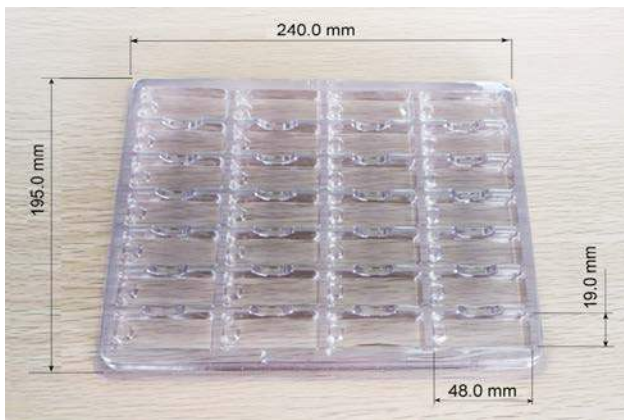
Cell Label:



DATE CODE:
 YYYY - Year
 MM - Month

12. PACKING

PE BAG SIZE	TBD
CARTON SIZE:	TBD
QUANTITY PER CARTON:	TBD
G.W.	TBD



GlobTek, Inc.
 www.globtek.com

186 Veterans Drive, Northvale, NJ 07467
 Tel. 201-784-1000 Fax 201-784-0111

Drawing Title: Rechargeable Li-ion Polymer Battery
 3.7Volts@105mAh, 1S1P, PCM

MODEL NO: GP261635
 PART NO: BL0105F2635161S1PCAT

REV K1