

6

5

4

3

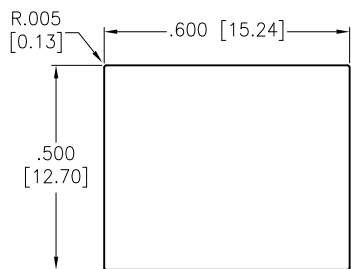
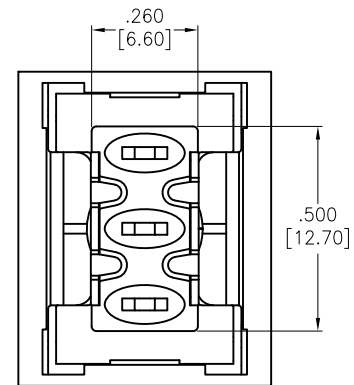
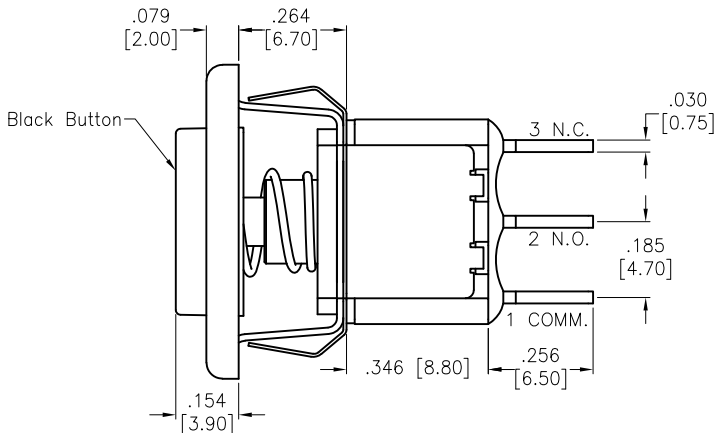
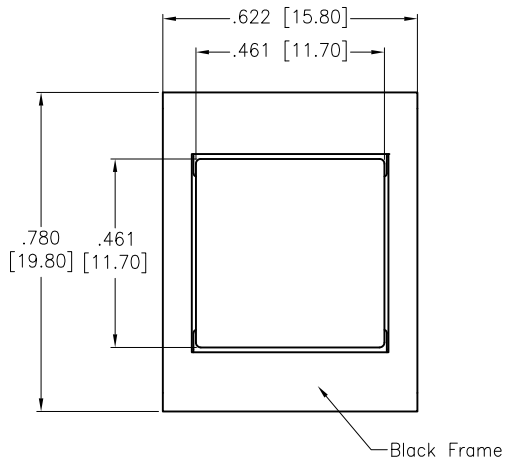
2

1

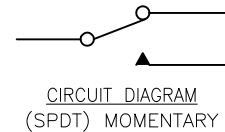
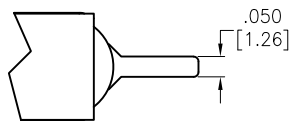
APPROVED: _____

DATE: _____ TITLE: _____

Rev	AWO #	Description	Date	Appr
-		RELEASED	2/8/21	



P.C MOUNTING



SPECIFICATIONS:

Material:

Movable Contact: Copper Alloy, Silver Plated

Terminal: Copper Alloy, Silver Plated

Electrical:

Voltage rating: 120VAC or 38VDC

Current rating: 1 Amps

Contact resistance: 10 mΩ max

Insulation resistance: 1,000 Mohms min

Dielectric withstanding voltage: 1,500V RMS @Sea level

Temperature Rating:

Operating temperature: -30°C to +85°C

Environmental:

Lead free, RoHS compliant



UNLESS OTHERWISE SPECIFIED ALL DIMENSIONS ARE INCHES [MM] TOLERANCES: EXCEPT AS NOTED INCHES HOLES .X ± .10 Ø.X ± .10 .XX ± .020 Ø.XX ± .015 .XXX ± .015 Ø.XXX ± .010		ADAM TECH 909 Rahway Avenue, Union, NJ 07083 Phone: 908-687-5000 Fax: 908-687-5710	
APPROVALS DRAWN LH 2/8/21 CHECKED AC 2/8/21 APPROVED		TITLE SNAP-ACTING PUSH BUTTON SWITCH, BLACK FRAME SPDT, ON-MOMENTARY, SILVER PLATED, PCB TYPE	
SIZE X	PART NO. SW-PB8-AE222QE-1	REF: S00198T	SCALE: NTS
REV. -		SHEET 1 OF 1	

6

5

4

3

2

1