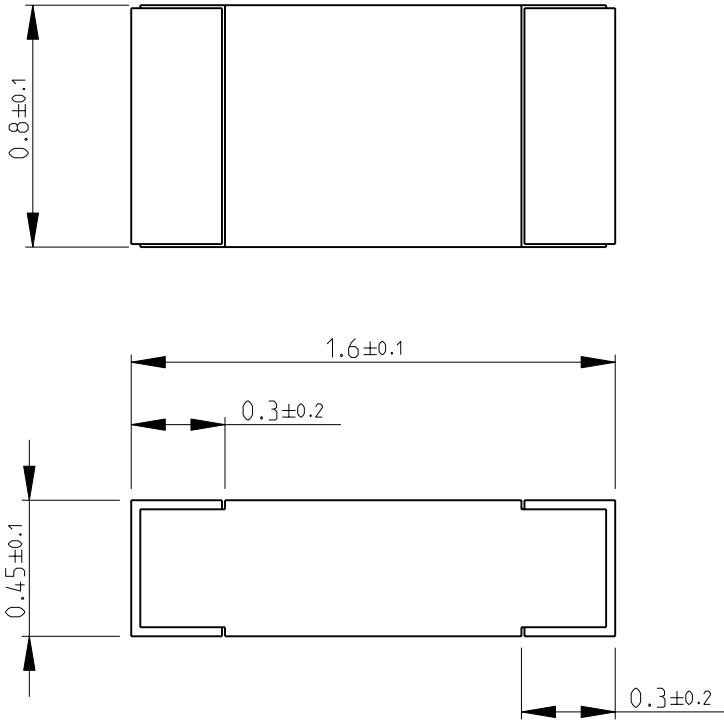
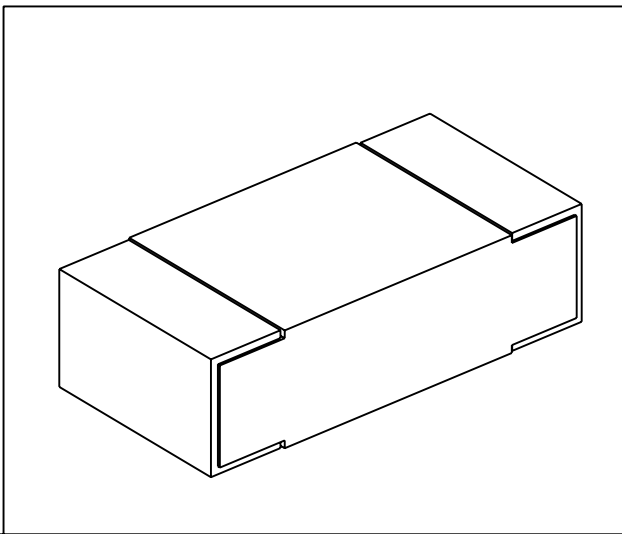


LOC	DIST	REVISIONS					
E	B	P	LTR	DESCRIPTION	DATE	DWN	APVD
		BA1		REVISED PER ECO-11-005150	29MAR2011	RK	HMR

- 1 PACKAGING- 1000 PIECES PER REEL
- 2 FOR FURTHER INFORMATION SEE DATA SHEET FOR 3640 SERIES-HIGH FREQUENCY INDUCTORS



RoHS Compliant



2008
 RELEASED FOR PUBLICATION
 ALL RIGHTS RESERVED.
 BY -
 COPYRIGHT 2008

DIMENSIONS: mm	DWN	10-Sep-08	MATERIAL	-	FINISH	-			
	CHK	10-Sep-08	TE Connectivity						
TOLERANCES UNLESS OTHERWISE SPECIFIED:	APVD	10-Sep-08					NAME	HIGH FREQUENCY INDUCTORS SMD	
	0 PLC ±0.2	PRODUCT SPEC	SERIES 3640 0603						
1 PLC ±0.1	APPLICATION SPEC	SIZE				CAGE CODE	DRAWING NO	RESTRICTED TO	
2 PLC ±-		A 4				00779	© = 1624109	-	
3 PLC ±-		WEIGHT				CUSTOMER DRAWING			
4 PLC ±-		SCALE				40:1	SHEET	1 OF 1	REV
ANGLES ±5°								BA1	