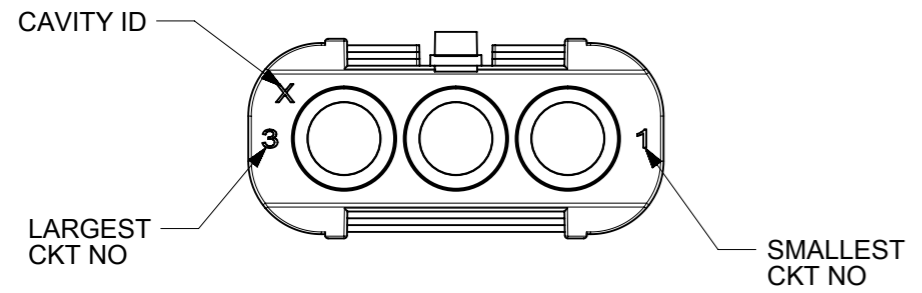
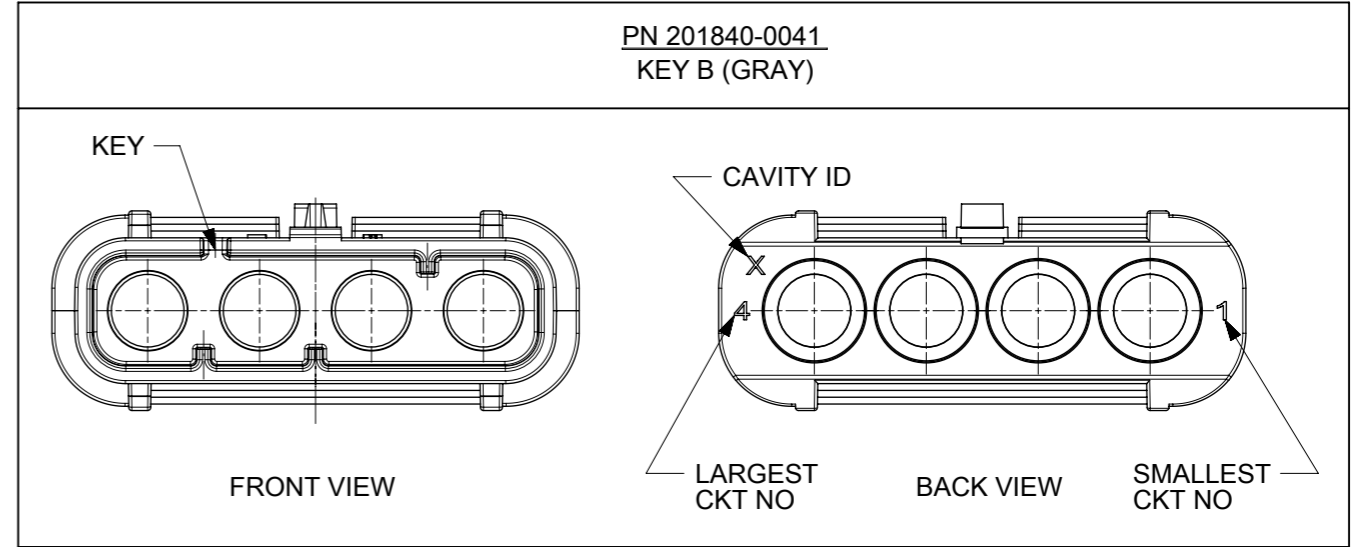
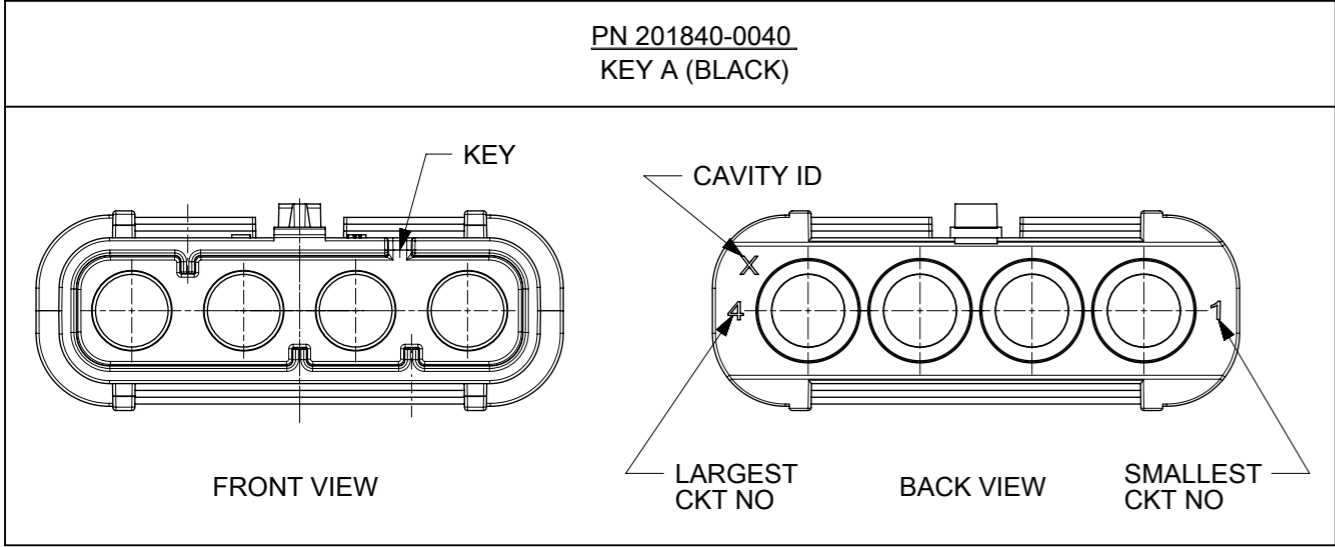
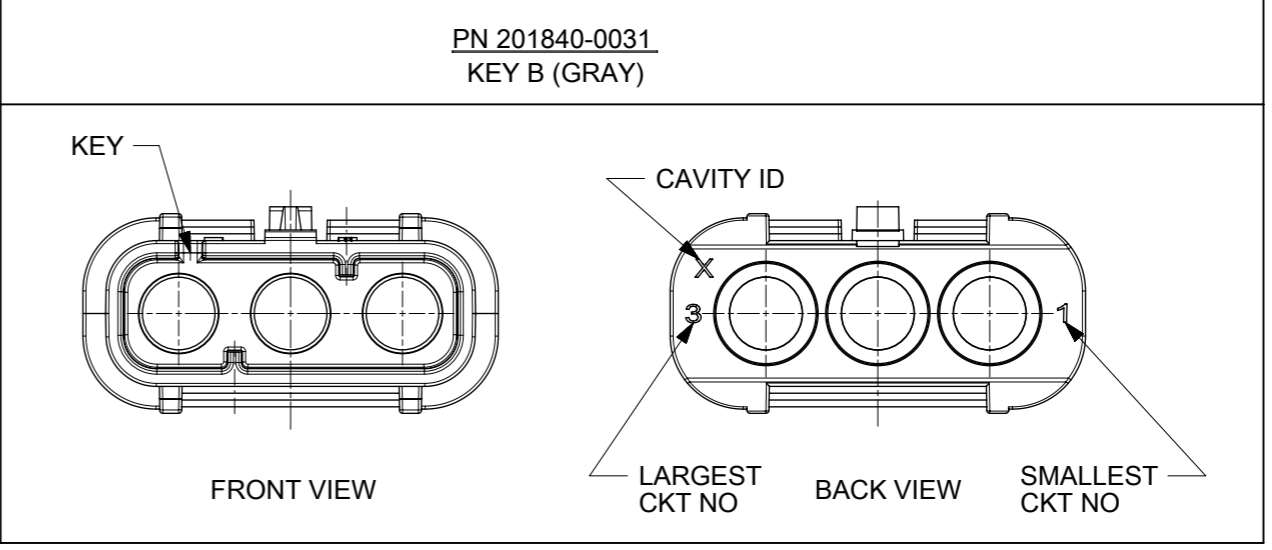
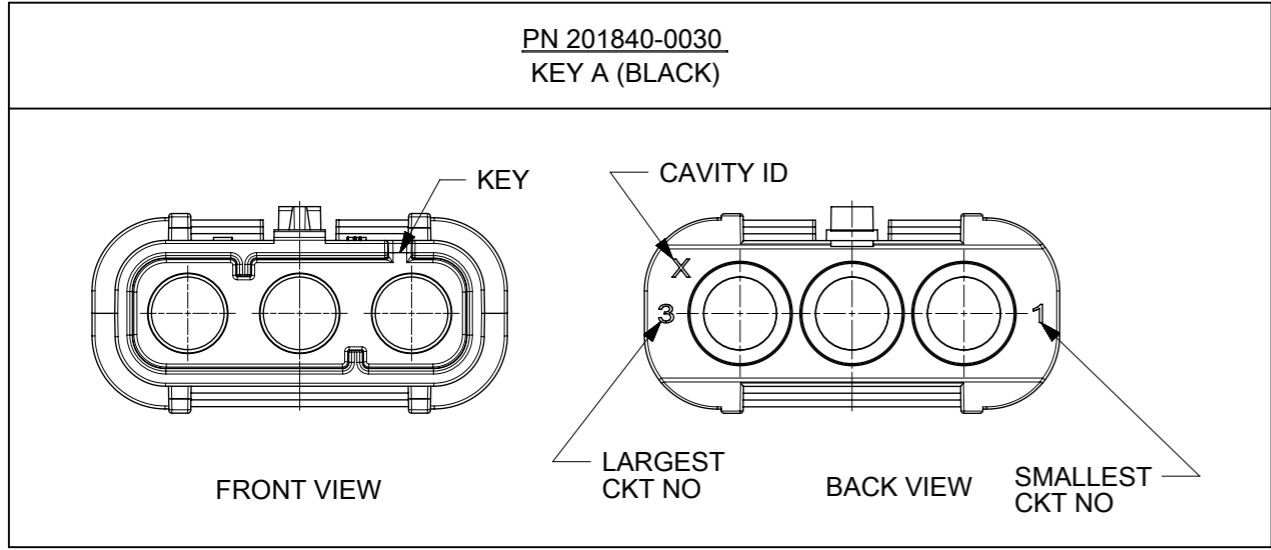


- NOTES:
- HOUSING MATERIAL:
PEI
UL RATED 94 V-0
COLOR: BLACK (FOR KEY-A)
COLOR: GRAY (FOR KEY-B)
 - USED WITH TERMINAL PART NUMBER 201845-00**
 - SHALL CONFIRM TO PRODUCT SPECIFICATION 2018400000-PS
 - COMPLY WITH PACKAGING SPECIFICATION 2018400000-PK
 - COSMETIC SPECIFICATION PS-45499-002 CLASSB



THIS DRAWING CONTAINS INFORMATION THAT IS PROPRIETARY TO MOLEX ELECTRONIC TECHNOLOGIES, LLC AND SHOULD NOT BE USED WITHOUT WRITTEN PERMISSION																	
DIMENSION UNITS	SCALE	CURRENT REV DESC: ADDED BACK VIEWS.															
mm	2:1	<div style="text-align: center;">molex</div> <p>MULTICAT IN-LINE PLUG HOUSING WTW</p> <p>PRODUCT CUSTOMER DRAWING</p>															
GENERAL TOLERANCES (UNLESS SPECIFIED)																	
ANGULAR TOL	± °																
4 PLACES	±																
3 PLACES	± 0.05																
2 PLACES	± 0.1																
1 PLACE	± 0.2	EC NO: 613783	2019/02/13	<table border="1"> <tr> <td>DOCUMENT NUMBER</td> <td>DOC TYPE</td> <td>DOC PART</td> <td>REVISION</td> </tr> <tr> <td>2018400000-SD</td> <td>PSD</td> <td>000</td> <td>A2</td> </tr> </table>						DOCUMENT NUMBER	DOC TYPE	DOC PART	REVISION	2018400000-SD	PSD	000	A2
DOCUMENT NUMBER	DOC TYPE	DOC PART	REVISION														
2018400000-SD	PSD	000	A2														
0 PLACES	±	DRWN: MKP	2019/03/15														
DRAFT WHERE APPLICABLE MUST REMAIN WITHIN DIMENSIONS		THIRD ANGLE PROJECTION	DRAWING	SERIES	MATERIAL NUMBER	CUSTOMER	SHEET NUMBER										
			A3-SIZE	201840	SEE SHEET 2	GENERAL MARKET	1 OF 2										



PART NUMBER	PART DESCRIPTION	A	C	D
201840-0030	MULTICAT PLUG HSG 1X3 KEY A	17.35	24.46	27.46
201840-0031	MULTICAT PLUG HSG 1X3 KEY B	17.35	24.46	27.46
201840-0040	MULTICAT PLUG HSG 1X4 KEY A	24.75	31.86	34.86
201840-0041	MULTICAT PLUG HSG 1X4 KEY B	24.75	31.86	34.86

THIS DRAWING CONTAINS INFORMATION THAT IS PROPRIETARY TO MOLEX ELECTRONIC TECHNOLOGIES, LLC AND SHOULD NOT BE USED WITHOUT WRITTEN PERMISSION		CURRENT REV DESC: ADDED BACK VIEWS.		molex		
DIMENSION UNITS	SCALE					MULTICAT IN-LINE PLUG HOUSING WTW
mm	2:1			PRODUCT CUSTOMER DRAWING		
GENERAL TOLERANCES (UNLESS SPECIFIED)		EC NO: 613783				DOCUMENT NUMBER
ANGULAR TOL	± °	DRWN: MKP 2019/02/13		2018400000-SD		
4 PLACES	±	CHK'D: NCSR 2019/03/15				DOC TYPE DOC PART REVISION
3 PLACES	± 0.05	APPR: KPRASAD 2019/04/01		PSD 000 A2		
2 PLACES	± 0.1	INITIAL REVISION:				MATERIAL NUMBER
1 PLACE	± 0.2	DRWN: RMV02 2016/12/06		CUSTOMER		
0 PLACES	±	APPR: KPRASAD 2017/01/27				GENERAL MARKET
DRAFT WHERE APPLICABLE MUST REMAIN WITHIN DIMENSIONS		THIRD ANGLE PROJECTION	DRAWING	SERIES	SHEET NUMBER	
			A3-SIZE	201840	2 OF 2	