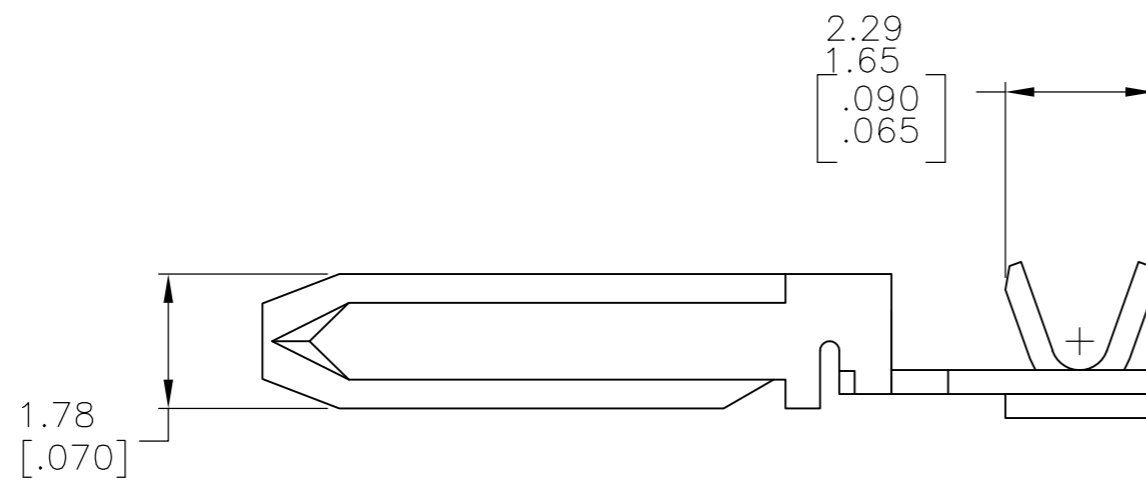
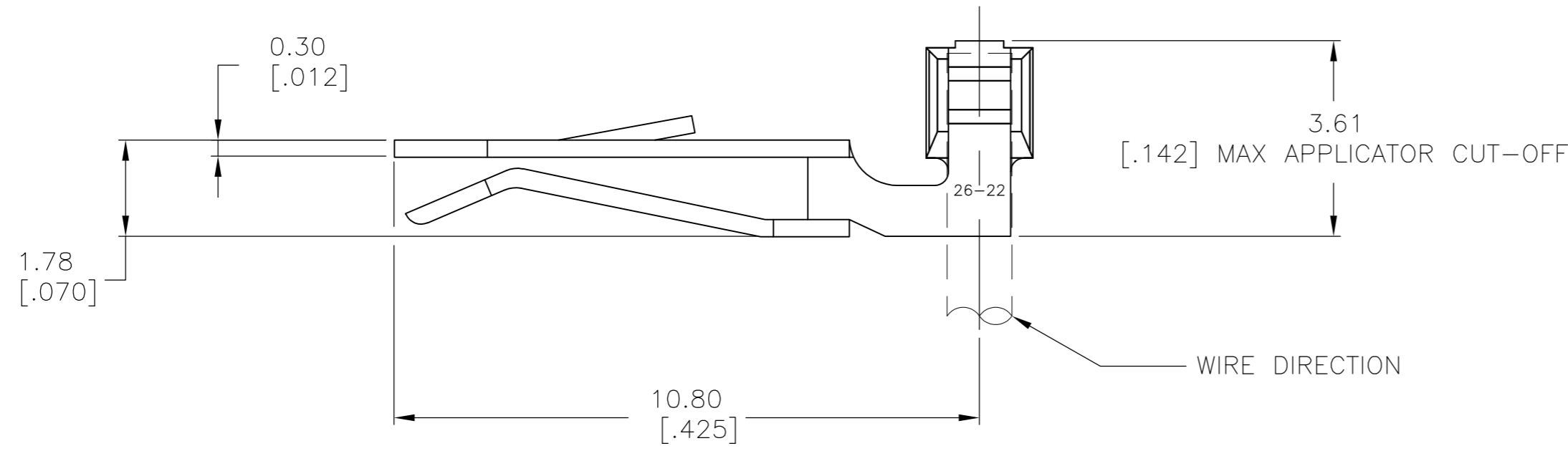


THIS DRAWING IS UNPUBLISHED. RELEASED FOR PUBLICATION  
 © COPYRIGHT BY TYCO ELECTRONICS CORPORATION. ALL RIGHTS RESERVED.

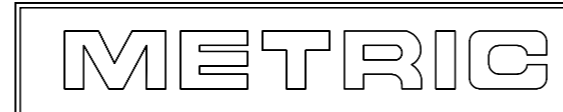
LOC	DIST	REVISIONS			
P	LTR	DESCRIPTION	DATE	DWN	APVD
CM	0	H	REVISED PER ECO-07-010173	01MAY07	KW DB

1. DIMENSION IN BRACKET ARE IN INCHES.
2. WIRE RANGE:26-22 AWG (0.12-0.4 mm<sup>2</sup>).



	TIN	640709-2
SUPERSEDED BY 640709-2	TIN-LEAD	640709-1
	FINISH	PART NO

THIS DRAWING IS A CONTROLLED DOCUMENT.		DWN	B. LEWIS	23JAN92	Tyco Electronics Corporation Harrisburg, PA 17105-3608			
DIMENSIONS: mm [INCHES]		CHK	R. SWING	23JAN92				
TOLERANCES UNLESS OTHERWISE SPECIFIED:		APVD	G. MILLER	23JAN92				
0 PLC ± - 1 PLC ± - 2 PLC ± - 3 PLC ± 0.25[.010] 4 PLC ± - ANGLES ± -		PRODUCT SPEC	NAME			CONTACT, CRIMP SNAP-IN, LOOSE PIECE, MTA-100		
MATERIAL		APPLICATION SPEC	-		SIZE	CAGE CODE	DRAWING NO	RESTRICTED TO
0.30[.012] THK COPPER ALLOY		WEIGHT	-		A2	00779	C=640709	-
FINISH		CUSTOMER DRAWING		SCALE	10:1	SHEET	1 of 1	REV
0.00203[.000080] THK MATTE TIN								H



640709

A