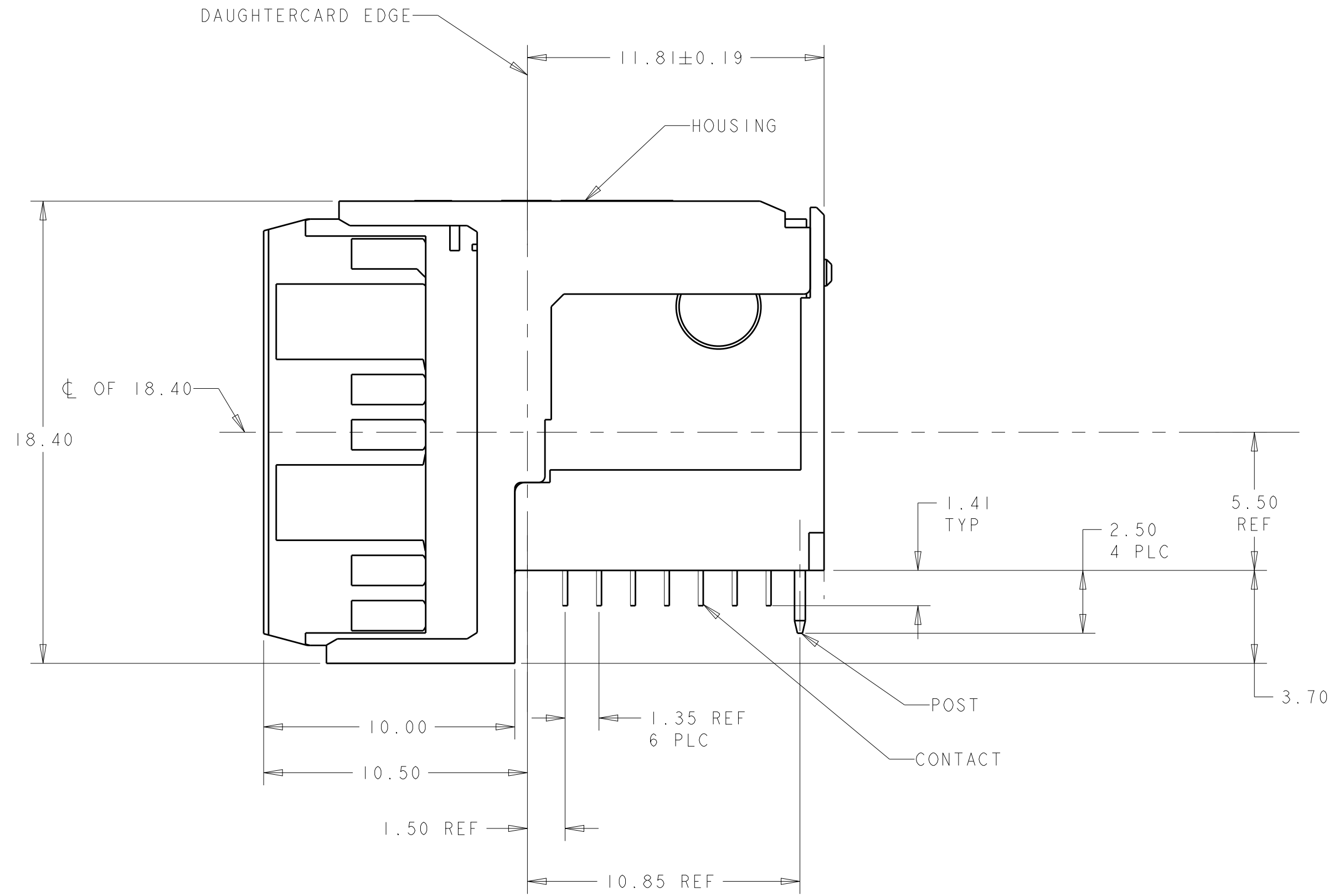
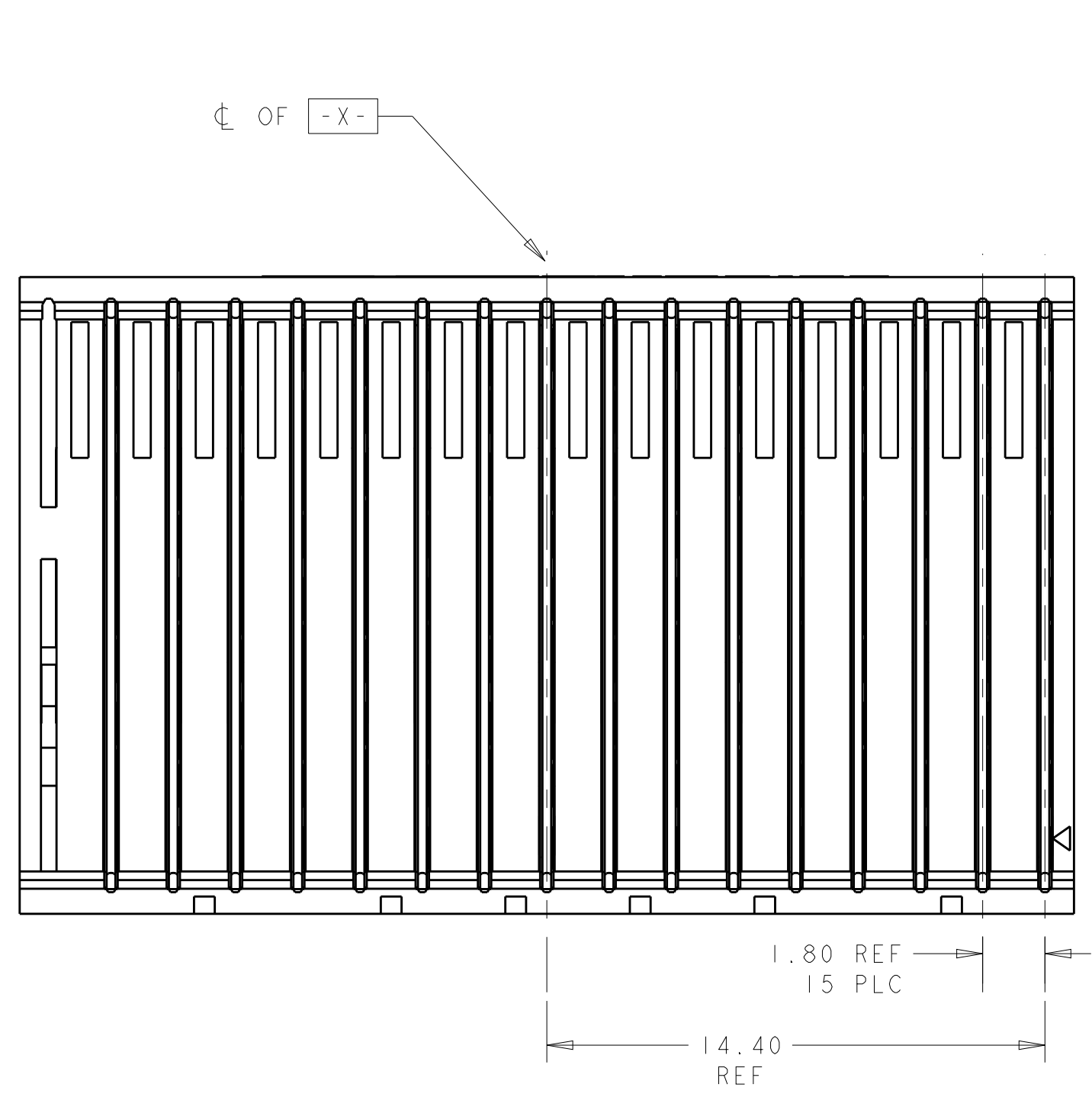


| LOC | DIST | REVISIONS | | | | | |
|-----|------|-----------|-----|---------------------------|-----------|-----|------|
| | | P | LTN | DESCRIPTION | DATE | DWN | APVD |
| GP | 00 | A2 | | REVISED PER ECO-12-011792 | 20JUL2012 | KH | AS |



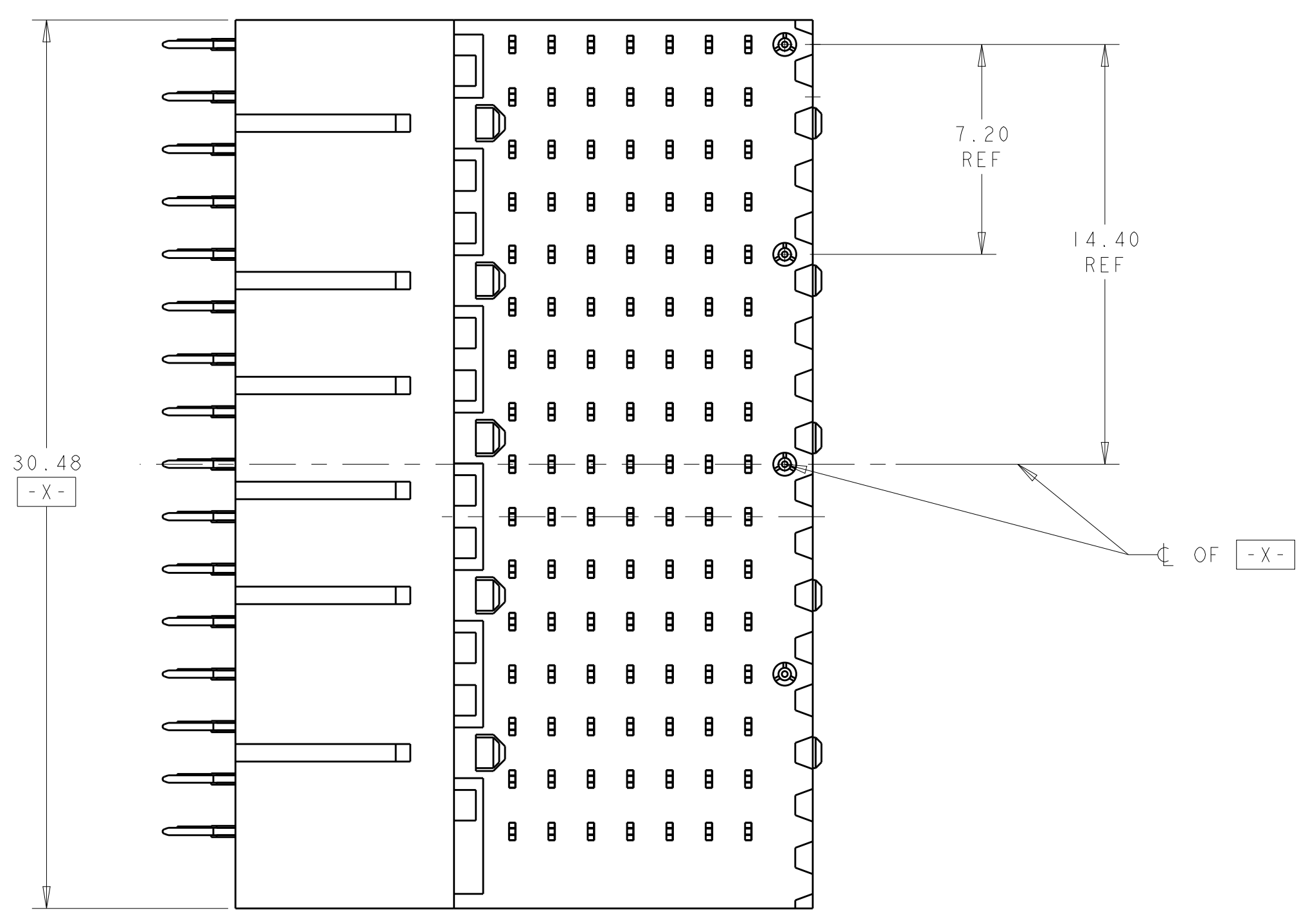
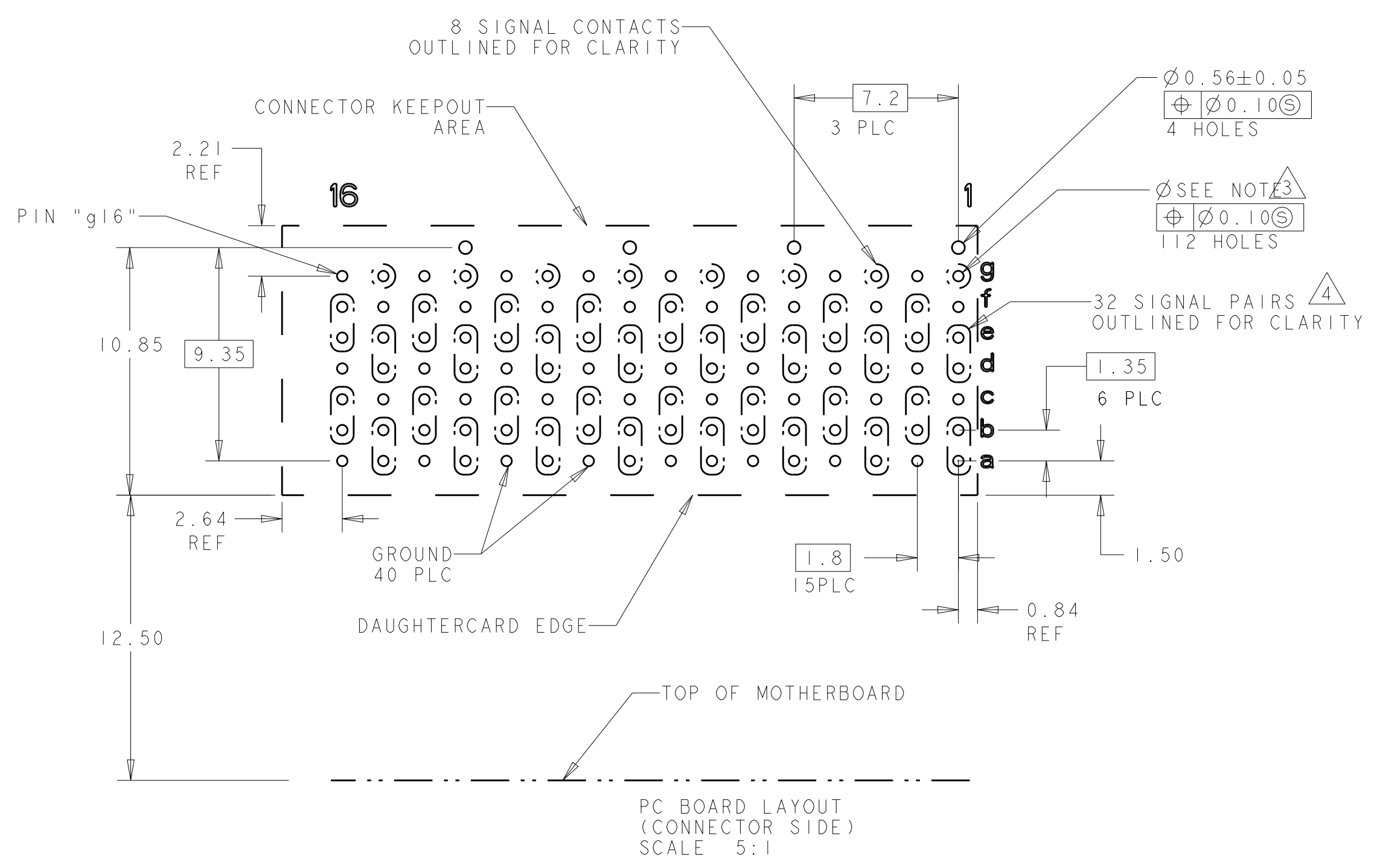
- △ HOUSING: LCP, UL94V0, COLOR: BLACK.
CONTACT: PHOSPHOR BRONZE.
POST: BRASS WIRE
- △ CONTACT: 0.76µm MIN GOLD IN PAD CONTACT AREA
1.27µm MIN TIN-LEAD ON PCB TAIL
OVER 1.27µm MIN NICKEL OVER ALL.
POST 1.27µm MIN NICKEL PLATED.
- △ PLATE THROUGH HOLE PER 114-13056, FIGURE 4.
- △ SEE TABLE 1 FOR INTERCONNECTIONS TO BACKPLANE CONNECTOR.
- △ CONTACT: 0.76µm MIN GOLD IN PAD CONTACT AREA
1.27µm MIN TIN ON PCB TAIL
OVER 1.27µm MIN NICKEL OVER ALL.
POST 1.27µm MIN NICKEL PLATED.
- △ CONTACT: 1.27µm MIN GOLD IN PAD CONTACT AREA
1.27µm MIN TIN-LEAD ON PCB TAIL
OVER 1.27µm MIN NICKEL OVER ALL.
POST 1.27µm MIN NICKEL PLATED.
- △ CONTACT: 1.27µm MIN GOLD IN PAD CONTACT AREA
1.27µm MIN TIN ON PCB TAIL
OVER 1.27µm MIN NICKEL OVER ALL.
POST 1.27µm MIN NICKEL PLATED.

TABLE 1
INTERCONNECTIONS WITH BACKPLANE CONNECTOR 1410142

| TYPICAL INTERCONNECTIONS FOR EACH EVEN-NUMBERED COLUMN (WAFER): 2,4,6,8,10,12,14,16 | | |
|---|----------------------------|-------------------------|
| CONTACT USAGE | DAUGHTERCARD CONNECTOR PIN | BACKPLANE CONNECTOR PIN |
| SIGNAL PAIR | bx | cx |
| SIGNAL PAIR | cx | dx |
| SIGNAL PAIR | ex | gx |
| SIGNAL PAIR | fx | hx |
| GROUND | ax, dx, gx, (ALL COMMONED) | ax, bx, ex, fx, ix |

| TYPICAL INTERCONNECTIONS FOR EACH ODD-NUMBERED COLUMN (WAFER): 1,3,5,7,9,11,13,15 | | |
|---|----------------------------|-------------------------|
| CONTACT USAGE | DAUGHTERCARD CONNECTOR PIN | BACKPLANE CONNECTOR PIN |
| SIGNAL PAIR | ax | ax |
| SIGNAL PAIR | bx | bx |
| SIGNAL PAIR | dx | ex |
| SIGNAL PAIR | ex | fx |
| SIGNAL | gx | ix |
| GROUND | cx, fx (ALL COMMONED) | cx, dx, gx, hx |

NOTE: "x" DESIGNATES THE COLUMN NUMBER



| | |
|---------|-----------|
| △ 7 | 1410188-4 |
| △ 6 | 1410188-3 |
| △ 5 | 1410188-2 |
| △ 2 | 1410188-1 |
| PLATING | PART NO |

THIS DRAWING IS A CONTROLLED DOCUMENT.

| | | | | | |
|-------------|--|------------------------|-----------------------------|-----------------------------|---|
| DIMENSIONS: | TOLERANCES UNLESS OTHERWISE SPECIFIED: | DWN: R. TREA 30OCT2003 | CHK: J. CONSOLI 30OCT2003 | APVD: G. GRIFFITH 14MAR2006 | NAME: RIGHT-ANGLE PLUG ASSEMBLY, 7 ROW, RIGHT END, 20.3mm, MultiGig RT2, DAUGHTERCARD CONNECTOR, DIFFERENTIAL |
| mm | 0 PLC ±0.5 2 PLC ±0.5 3 PLC ±0.13 4 PLC ±0.13 ANGLES ±1° | PRODUCT SPEC: 108-2072 | APPLICATION SPEC: 114-13056 | SIZE: A100779 | SCALE: 3:1 |
| MATERIAL: | FINISH: SEE TABLE | WEIGHT: | CUSTOMER DRAWING | 1410188 | SHEET 1 OF 1 |

4805 (3/11)