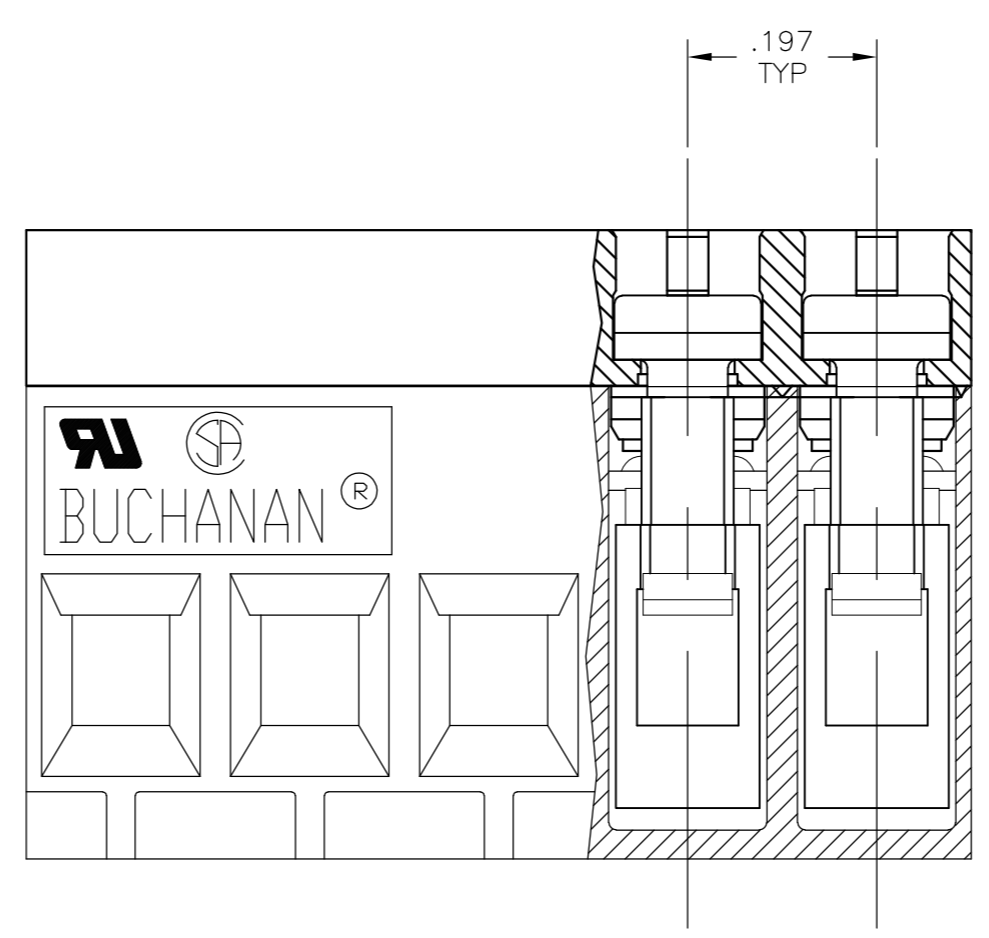
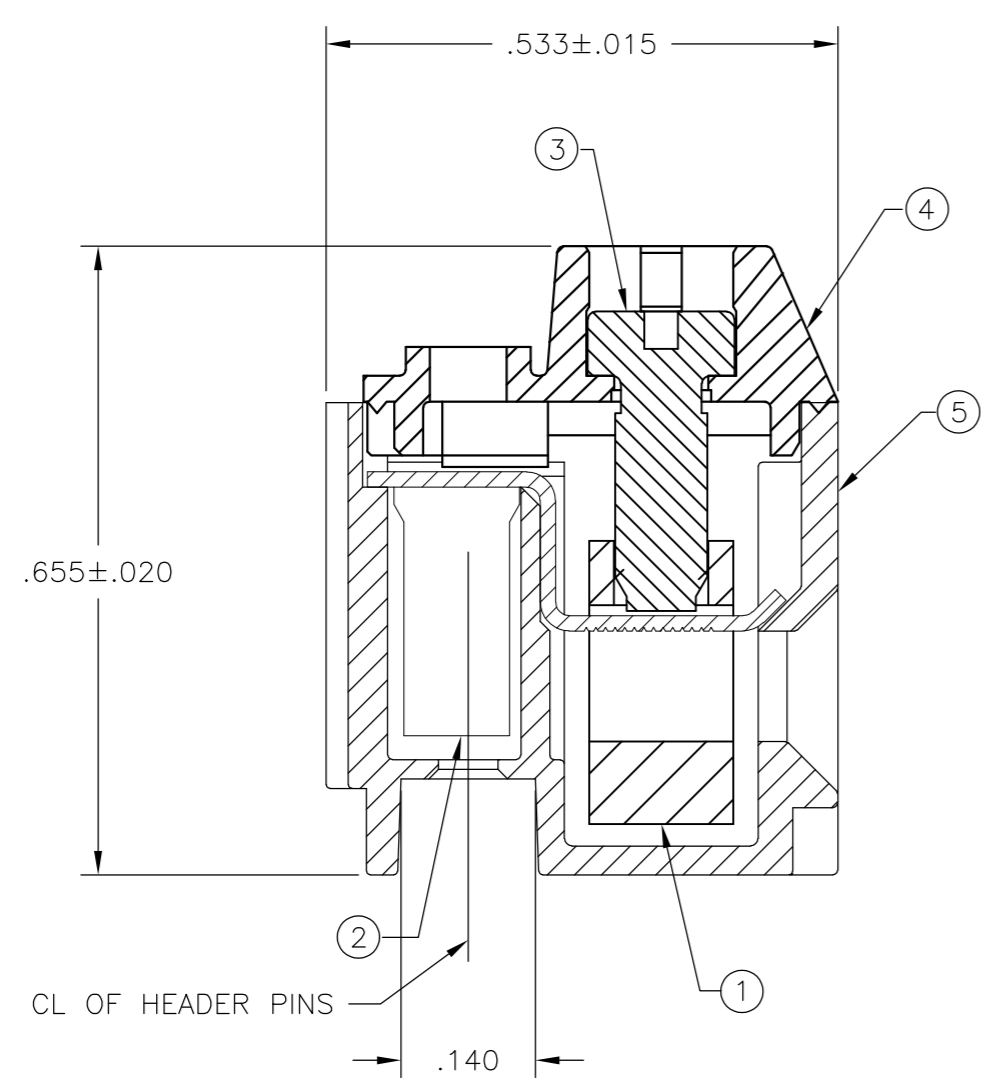
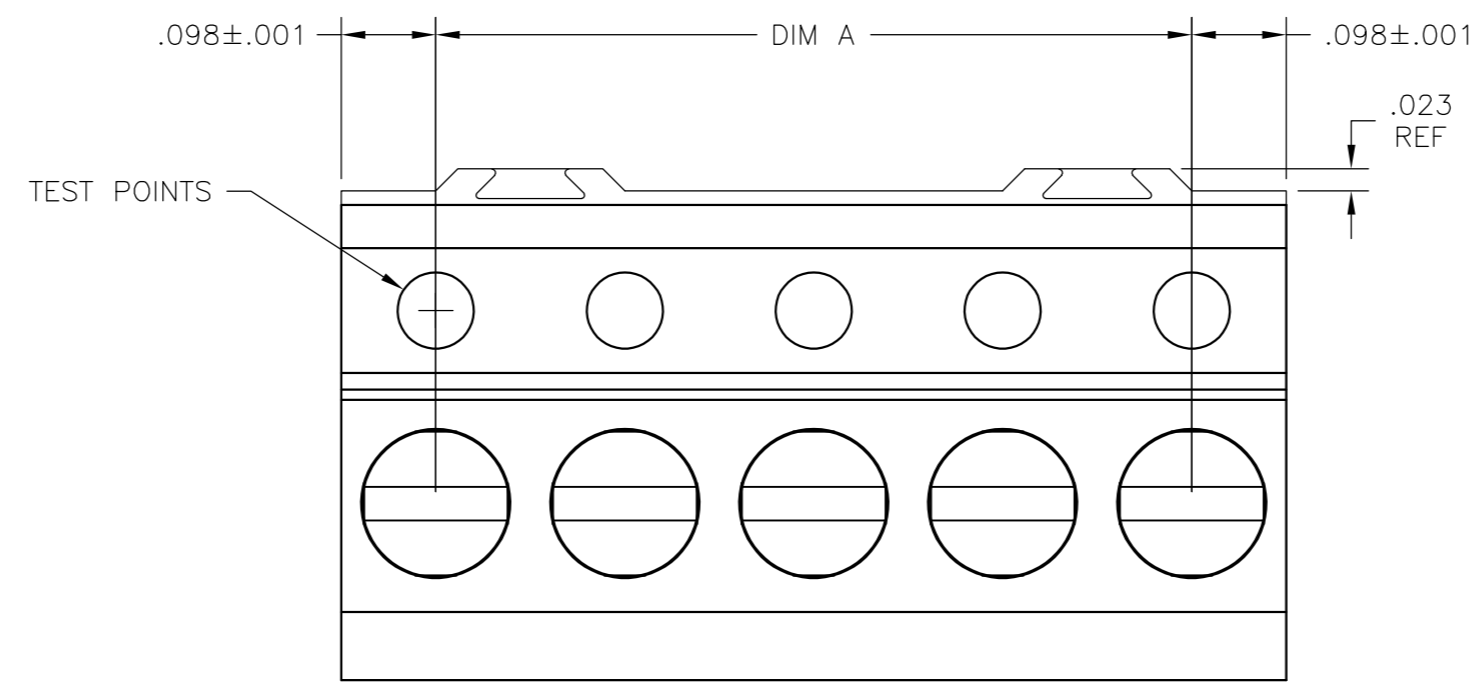


THIS DRAWING IS UNPUBLISHED. RELEASED FOR PUBLICATION
 © COPYRIGHT BY TYCO ELECTRONICS CORPORATION. ALL RIGHTS RESERVED.

LOC	DIST	REVISIONS					
FT	0	P	LTR	DESCRIPTION	DATE	DWN	APVD
		A1		REVISED PER ECO-05-10597	10/6/05	SS	CR
		A2		REVISED PER ECO-09-024927	10NOV09	KK	AEG

NOTES:
 HOUSING MATERIAL: POLYIMIDE TYPE 6/6
 94VO RATED, COLOR BLACK
 TERMINAL: PHOS BRONZE, TIN PLATED
 WIRE CAGE: HARDENED STL, ZINC PLATED
 SCREW: M2.5 X 6.2 STEEL ZINC PLATED
 ⚠️ OBSOLETE PARTS: OBSOLETE CIS STREAMLINING
 PER D.RENAUD/D.SINISI



STATUS	DESCRIPTION	NO. OF POSN	T & B PART NO.	TYCO PART NO.
OBSOLETE ⚠️	4.528±.012	24	B51C8U24T	5-1437426-9
	4.134±.011	22	B51C8U22T	5-1437426-8
	3.740±.010	20	B51C8U20T	5-1437426-7
	3.346±.009	18	B51C8U18T	5-1437426-6
	2.953±.008	16	B51C8U16T	5-1437426-3
	2.756±.007	15	B51C8U15T	5-1437426-1
	2.559±.007	14	B51C4U14T	4-1437426-9
OBSOLETE ⚠️	2.362±.007	13	B51C4U12T	4-1437426-6
	2.165±.006	12	B51C4U11T	3-1437426-9
	1.969±.006	11	B51C4U11T	3-1437426-6
	1.772±.006	10	B51C4U10T	3-1437426-2
	1.575±.005	9	B51C4U09T	2-1437426-8
	1.378±.005	8	B51C4U08T	2-1437426-5
	1.181±.004	7	B51C4U07T	2-1437426-0
	.984±.004	6	B51C4U06T	1-1437426-6
	.787±.003	5	B51C4U05T	1-1437426-3
	.591±.002	4	B51C4U04T	1437426-9
.394±.002	3	B51C4U03T	1437426-3	
.197±.002	2	B51C4U02T	1437426-1	
DIM A	NO. OF POSN	T & B PART NO.	TYCO PART NO.	

THIS DRAWING IS A CONTROLLED DOCUMENT.

DWN S SCHLEGEL 03DEC02	Tyco Electronics Corporation Harrisburg, PA 17105-3608			
CHK C RICHARD 12/3/02				
APVD C RICHARD 12/3/02				
PRODUCT SPEC				
APPLICATION SPEC	NAME			
MATERIAL	SIZE	CAGE CODE	DRAWING NO	RESTRICTED TO
FINISH	A2	00779	C=1437426-1	-
	CUSTOMER DRAWING	SCALE	SHEET	REV
		5:1	1 of 1	A2