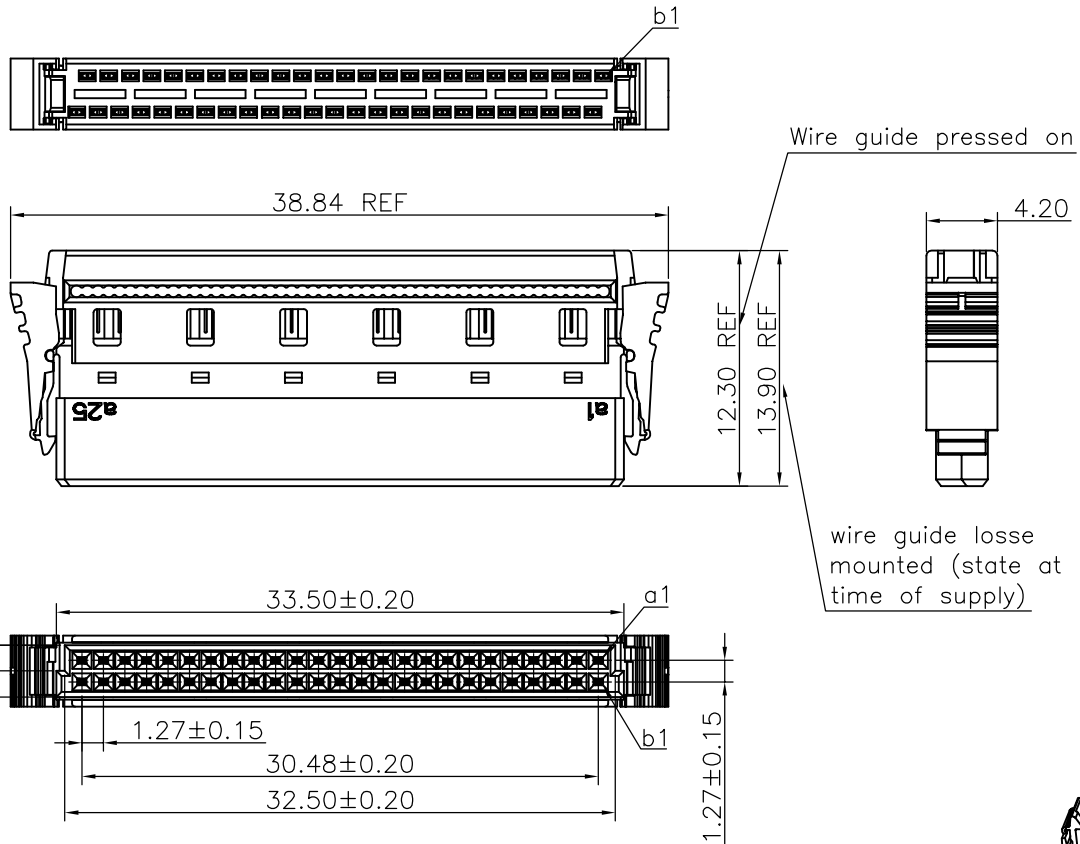


REV.	LOCAS.	DESCRIPTION	DATE	DRAWN
01	NEW	BATCH PRODUCTION INITIAL RELEASE.	2020.01.08	吳才仙
02	△	依業務要求變更產品溫度敏感等級	2020.10.15	馮國東

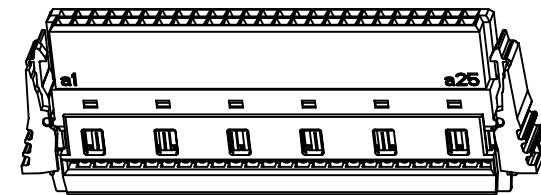


Specifications  
 Current Rating: 1.1Amp  
 Insulation Resistance: 10000MΩMin.  
 Dielectric Withstanding Voltage: 500VAC  
 Contact Resistance: 10mΩMax.  
 △ Moisture sensitivity level: 1  
 Operating Temperature: -55°C to +125°C  
 Materials  
 Contact Material: Phosphor Bronze  
 Insulator Material: High Temperature Thermoplastic, UL 94V-0 LCP or the equivalent material  
 All materials must meet GREENCONN hazardous substances control standards.

### Ordering Information

C QEA217 - XX XX A 001 C 1 S X

No. of Pins per Row: 25  
 Standard Plating: 77=15u" gold plating on contact area, matte tin plating on solder area  
 Color: 1=Black  
 Standard Packing: B=Tray



<b>格稜股份有限公司</b> <b>Greenconn Corporation</b>					GENERAL TOLERANCE		DESIGNED: 馮國東	DATE: 2020.10.15	DWG. NO.	TITLE: IDC Female Connector Type B with Locking Latches
					X.*±5.0°	X.±0.30	CHECKED: 曹熙	DATE: 2020.10.15	CQEA217-CA1CS	
REV. 02	UNIT. mm	SCALE. 5:2	PAGE. 1/1		.X*±3.0°	.X±0.25	CO SIGNED: 廖世龍	DATE: 2020.10.15	PART NO.	
					.XX*±2.0°	.XX±0.15	APPROVED: 曹熙(代)	DATE: 2020.10.15	CQEA217-25XXA001C1SB	
					.XXX*±1.0°	.XXX±0.10				