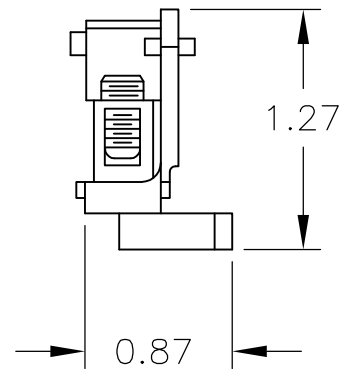
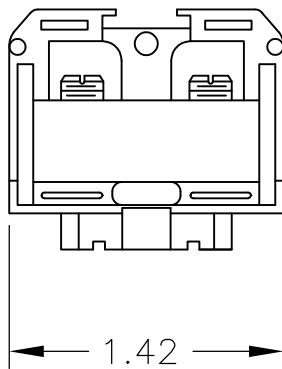


LOC	DIST	REVISIONS					
		P	LTR	DESCRIPTION	DATE	DWN	APVD
—	—		A	REDRAWN PER ECO-08-023052	29SEP08	HMR	SM



MATERIAL: NYLON



THIS DRAWING IS UNPUBLISHED.

ALL INTERNATIONAL RIGHTS RESERVED.

BY TYCO ELECTRONICS CORPORATION.

© COPYRIGHT

DIMENSIONS: INCHES	DWN	29SEP08	MATERIAL	1	FINISH	—
	CHK	29SEP08	Tyco Electronics Corporation Harrisburg, PA 17105-3608			
TOLERANCES UNLESS OTHERWISE SPECIFIED:	APVD	29SEP08				
0 PLC ± -	PRODUCT SPEC	—	NAME			
1 PLC ± -	APPLICATION SPEC	—	HEAVY DUTY, T.S., NYLON			
2 PLC ± -	WEIGHT	—	SIZE	CAGE CODE	DRAWING NO	RESTRICTED TO
3 PLC ± -			A4	00779	4-1437390-0	—
4 PLC ± -			CUSTOMER DRAWING			SCALE
ANGLES ± -						1:1
						SHEET
						1 OF 1
						REV
						A

