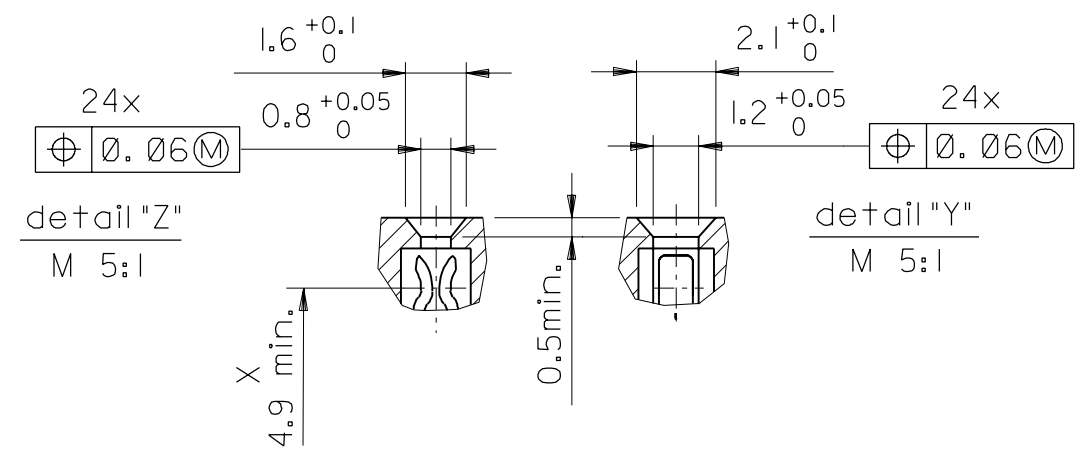


l) tails to fit in PC-board layout
PCB layout see SDA-85054-0001 sheet 2



FIRST ANGLE PROJECTION		REVISIONS	
UNLESS OTHERWISE SPECIFIED TOLERANCES: ANGULAR ± 2°	DRWG BY	3 PLACE ±	±
INCH METRIC	SIGN	2 PLACE ±	±
	KN	1 PLACE ±	±
DRAFT WHERE APPLICABLE MUST REMAIN WITHIN DIMENSIONS	CHK'D BY	DESIGN DIMENSION <input checked="" type="checkbox"/> MM <input type="checkbox"/> IN.	
	Ca	EQUIVALENT DIMENSION <input type="checkbox"/> MM <input type="checkbox"/> IN.	
	APP'D BY	IF TWO DIMENSIONS ARE SHOWN THE UPPER IS THE DESIGN DIMENSION, LOWER IS SECONDARY	
	JB	SCALE	
		2:1	

REVISE ONLY ON CAD SYSTEM		SH.	REV.
CADCAM PROJECT NAME	THIS DRAWING CONTAINS INFORMATION THAT IS PROPRIETARY TO MOLEX INC. & SHOULD NOT BE USED WITHOUT WRITTEN PERMISSION		
85056000			
s41			
TITLE			
24 pol. Federleiste			
24 pos. female connector			
DIN 41612, style M inverted			
molex MOLEX EUROPE		SHEET NO.	DATE
		1 OF 1	97/04/23
PART NO.	DWG. NO.	SIZE	
	SD-85056-0004	B	

